



**2023 CATALOG**



**INTENTIONALLY LEFT BLANK  
FOR TWO-PAGE VIEWING**

# EVERYTHING YOU NEED

## TO ENJOY THE OUTDOOR ADVENTURE



Lippert is a leading, global manufacturer and supplier of highly engineered products and customized solutions dedicated to shaping, growing and bettering the RV, marine, automotive, commercial vehicle and building products industries. We combine our strategic manufacturing capabilities with the power of our winning team culture to deliver unrivaled customer service, award-winning innovation and premium products to every industry and person we serve.



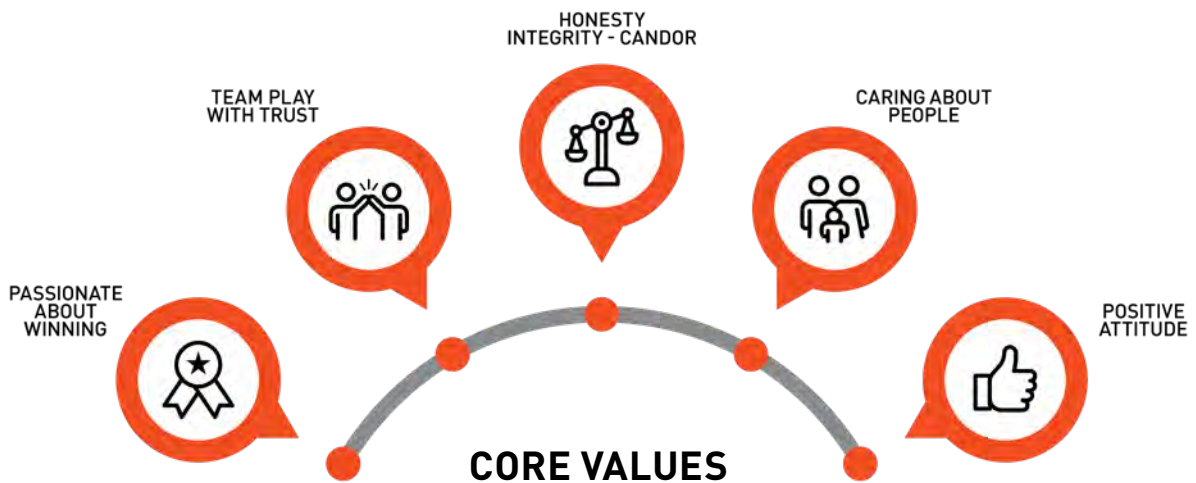
# BUSINESS AS A FORCE FOR GOOD



Learn how we're making a difference

## OUR VISION: TO BE A FORCE FOR GOOD IN THE WORLD

Since 2016, Lippert has focused on designing a cultural foundation from which our success is based, and it stems from one simple driving force: At Lippert, Everyone Matters. From the shop floor to the C-suite, we simply care about people. Our culture is grounded in our five core values that we practice in our business every day.



### OVER FIVE YEARS OF IMPACT



**2,000+**  
non-profits served



**550,000+**  
volunteer hours



**\$2,000,000+**  
annually donated to charity

# NEW PRODUCTS



## Thomas Payne® Easy Zzzs™ RV Bedding Sets

With this RV bedding set, you can make your bed in seconds due to the all-in-one, attached design.

**Page 154**



## Kids Sleeping Bags & Nap Sacks

Perfect for nap time, snuggling and sleepovers, our sleeping bags and nap sacks for children are designed to keep your little one cozy. **Page 158**



## Teddy Bear™ Charcoal Bunk Mats & Covers

With premium cushioning materials, our bunk mats and covers provide the restful sleep experience your kids. **Page 156**



## Dinette Cushions

Our dinette cushions are available in a wide variety of color and size options to revive and refresh your RV interior. **Page 152**



## Kitchen Towel Set

For all your indoor and outdoor cooking needs, our 6-piece road sign kitchen towel and potholder set has you covered. **Page 159**



## Bowl Holders

Cuddle up with a warm bowl of soup. These cozy bowl holders insulate the food in your bowl while protecting your hands. **Page 159**



## Odyssey™ Portable Grills

When cooking meets convenience, you get the Odyssey portable grill. Get your grill on, no matter where your adventure takes you. **Page 136**



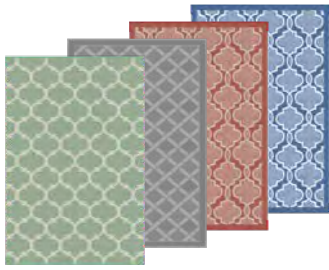
## Lippert Scouts Apron

With storage pockets and adjustable straps, you can take on cooking, chores and any DIY project with this versatile apron. **Page 137**



## Picnic Table Cover Sets

Cover your picnic table in seconds! The Lippert vinyl tablecloth and bench cover sets keep mealtime tidy. **Page 137**



### All-Weather Patio Mats

Crafted for life on the open road, our outdoor mats feature a reversible design and a soft, easy-to-clean polypropylene construction. **Page 124**



### Campfire Seating

Complete your outdoor furniture setup with a folding chair, loveseat and padded ottoman from the Lippert Campfire collection. **Page 130**



### Campsite Tables

With our camping tables, you can quickly set up for mealtime whenever you want, no matter where you are. **Page 125**



### Adventure Pro Coolers

Bring along your food and beverages in a cooler that was designed to stay cold and built to last through any rugged adventure. **Page 138**



### Picnic Gazebo & Wind Panels

Take shelter from bugs, block out the sun and get extra privacy in your outdoor space with our popup gazebo and compatible wind panels. **Page 134**



### Portable Pet Playpens

The portable pet playpen is the perfect pet accessory to use in your RV or take on any adventure. **Page 135**



### Collapsible Trash Bag Holder

This collapsible trash bag holder is the perfect waste solution for outdoor excursions, featuring an easy-to-assemble, lightweight and durable design. **Page 133**



### On-The-Go™ RV Ladder

We've designed a ladder to help you climb to the top of your RV with enhanced stability, safety and control. **Page 139**



### Solera® 5000 Series Slide Topper

Featuring an all-new seamless look and available in multiple sizes, this RV slide-out awning is the perfect way to help prevent damage to your rig. **Page 82**



### Girard® Water Heaters

Made specifically for RVs, this water heater keeps your hot water constant and consistent, keeping you comfortable while on the road. **Page 176**



### Water Purification Systems

Our water purification systems are specifically built for off-grid living and are perfect for RVs, camper vans, boats and more. **Page 179**



### Flow Max™ Galley Faucet

Available in a variety of spout constructions, our galley kitchen faucets are made with quality stainless steel and designed with modern in mind. **Page 186**



### Flow Max™ RV Toilet

With a powerful flush, ceramic bowl and a residential seat size, the Flow Max™ RV toilet offers the best features of a household toilet for your RV. **Page 179**



### RV Cleaners

From washing your exterior to cleaning your interior upholstery, we have the products you need to keep your RV or boat looking good as new. **Page 190**



### RV Tool Kit

You never know when you'll have to do a repair job on the fly. Stay on course with this tool kit that's equipped with a variety of quick fix essentials. **Page 191**



### Keyless Bluetooth RV Door Lock

Lock and unlock your RV entry door with your smartphone! This door lock is an easy solution for keeping your family safe on the road. **Page 105**



### Screen Assist™

This RV screen door push bar helps you get out of your rig with ease and convenience while protecting the screen door. **Page 102**



### Quick Drop™ A-Frame Tongue Jack

With this versatile tongue jack, you can raise or lower your A-frame trailer with a power drill or by manual operation. **Page 45**

## **RV SUSPENSION, WHEEL & AXLE**

Equalizers, shocks, springs, brakes, hubs, axles, wheels and more

6 - 33

## **RV LEVELING & STABILIZATION**

Leveling systems, power stabilizers and jacks

34 - 51

## **TRUCK CAMPER COMPONENTS**

Truck camper jacks, tie-down kits and motor assemblies

52 - 63

## **SOLERA® AWNINGS**

Roller assemblies, hardware, shade solutions, fabric and more

64 - 95

## **STEPS, DOORS & ACCESSORIES**

Entry doors, door accessories, RV steps and step accessories

96 - 121

## **CAMPSITE ACCESSORIES**

Outdoor furniture, grills, coolers, gazebos and more

122 - 139

## **RV INTERIOR**

Thomas Payne® furniture, mattresses, bedding and kitchen sets

140 - 159

## **RV CARGO & STORAGE**

Bike carriers, cargo and battery trays and under-chassis storage

160 - 169

## **RV ELECTRONICS**

Tire Linc® TPMS and OneControl® hot spot prep kit

170 - 173

## **RV FRESH WATER**

Water heaters, pumps and purifiers, faucets, sinks, toilets and more

174 - 187

## **RV MAINTENANCE**

Cleaners, sealants, tapes, pressure washers, tool kits and roof vents

188 - 207

## **RV TOWING**

Rota-Flex™, Air Ride™, Flex Air® and standard pin boxes

208 - 216





# **RV SUSPENSION, WHEEL & AXLE**

# FEATURED PRODUCTS



## Self-adjusting brakes

These brakes self-adjust during every forward stop, providing up to 50% better braking distance and preventing premature wear.



## Shock assemblies

Our complete shock mounting kits help efficiently manage axle spring movement to provide a smoother, more comfortable ride.



## Axle leaf springs

Get your trailer suspension back to operating in no time. As an exact-match component, this product will install just like the original.

## PRODUCT INDEX



8

Equa-Flex®  
Equalizer



9

Road Armor™  
Equalizer Kit



9

Center Point®  
Suspension



10

Shock  
Assemblies



10

Loaded Axle  
Leaf Springs



12

Electric Brake  
Assemblies



14

Replacement  
Brake Hubs



16

Replacement  
Bearing Parts



18

Replacement  
Axle AP Kits



19

Replacement  
Equalizers



22

Axles & Part  
Lists By Capacity



33

Tire & Wheel  
Assemblies

# EQUA-FLEX® RUBBERIZED EQUALIZER

- Dramatically reduces fore to aft trailer movement, otherwise known as chucking
- Helps eliminate trailer and cargo damage caused by road shock and vibration
- Delivers a ride as smooth as torsion axles at a fraction of the cost
- Includes pre-installed bronze bushings
- Center hanger and other mounting hardware sold separately



314336



279688



279687

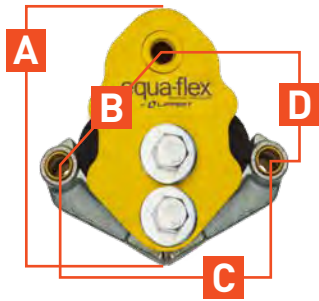


281314

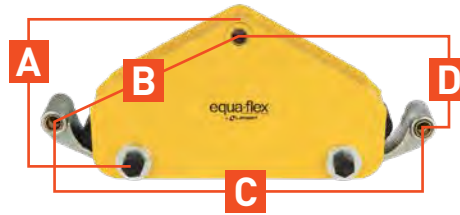


279689

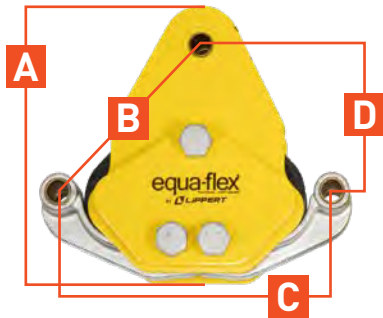
## Standard



## Wide stance



## Heavy-duty



Helps eliminate trailer and cargo damage caused by road shock and vibration

Part #	Axle Configuration	A	B	C	D	E	Axle Capacity
279687	Tandem	6"	4-1/8"	5-1/2"	2-7/8"	--	4,000 lbs. - 6,000 lbs.
279688	Tandem, heavy-duty	7-1/4"	5-1/2"	7-1/4"	3-5/8"	--	6,000 lbs. - 8,000 lbs.
314336	Tandem, wide stance	6-1/2"	8-1/4"	14-5/8"	1-7/8"	--	3,500 lbs. - 5,200 lbs.
281314	Triple	6"	4-1/8"	5-1/2"	2-7/8"	6-3/4"	3,000 lbs. - 6,000 lbs.
279689	Triple, heavy-duty	7-1/4"	5-1/2"	7-1/4"	3-5/8"	8-3/8"	5,000 lbs. - 8,000 lbs.
145547	Triple, heavy-duty	7-1/4"	5-1/2"	7-1/4"	3-5/8"	7-1/2"	5,000 lbs. - 8,000 lbs.

# ROAD ARMOR™ SHOCK-ABSORBING TRAILER EQUALIZER KIT

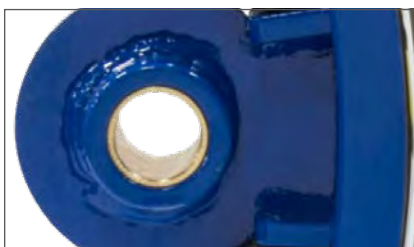
- Using anti-shock technology, road shock and vibrations are dampened, resulting in less chucking and less strain on the trailer
- Offers RVers and trailer owners a superior suspension enhancement
- Exceptional substitution for torsion axles
- Single pivoting arm allows constant absorption and dampened road shock from the leading or trailing spring, utilizing the trailer's natural motion
- Upgraded spray-coating on all fasteners to match automotive specifications
- Mounting hardware sold separately
- Patent pending



2021015191



Engineered to obtain maximum absorption with its anti-shock technology



Greaseable bronze bushings improve wear and tear

Part #	Axle Configuration	Axle Capacity	Includes
2021015191	Tandem	3,500 lbs. - 8,000 lbs.	Two tandem equalizers, greaseable bronze bushings and fasteners

# CENTER POINT® AIR RIDE RV SUSPENSION SYSTEMS

- Dampens road shock and trailer sway for a smoother, more comfortable ride
- Helps eliminate trailer and cargo damage caused by road shock and vibration
- Dampens road shock more effectively than torsion axles
- Dramatically improves braking distance in panic stops
- Includes all necessary mounting hardware for easy installation



1565391



1565401

Part #	Description	Axle Configuration
1565391	Suspension upgrade kit	Tandem
1565401	Suspension upgrade kit	Triple
293054	Air unit only	--
293057	Installation kit only	--



293054



293057

# SHOCK ASSEMBLIES

- Bolt-on shock kit absorbs road shock to provide a more comfortable towing experience
- Kit comes with everything needed to attach gas shocks to existing RV or trailer suspension
- Single replacement shocks are also available



281255



281281



283280



283271

Part #	Includes	Fits	Compressed Length	Extended Length
281255	Two shock assemblies, four U-bolts, two shock mount assemblies, two tie plates, eight washers, hex nuts and hex bolts	2-3/8" axles tubes	8-5/8"	13-1/2"
281281	Two shock assemblies, four U-bolts, two shock mount assemblies, two tie plates, eight washers, hex nuts and hex bolts	3" axles tubes	8-5/8"	13-1/2"
283280	One heavy-duty yellow shock, four top plates, four rubber bushings, two nuts	All axle tube sizes	8-5/8"	13-1/2"
283271	One standard black shock, four top plates, four rubber bushings, two nuts	All axle tube sizes	7-1/2"	12"

# SINGLE-EYE LOADED AXLE SLIPPER SPRINGS

- Replacement slipper springs for RV trailer suspension systems
- Available in lengths up to 30"
- Weight capacity ranging from 1,000 - 5,000 lbs.



Part #	Springs	Capacity	Industry Standard	Spring Width	Eye-to-End Of Spring Length	Loaded Arch Length
132819	2	1,000 lbs.	72-02	1.75"	27"	4"
230281	4	1250 lbs.	BT25-12	1.75"	25"	2.25"
157739	3	1750 lbs.	BT25-22	1.75"	25"	2.50"
136527	4	2,000 lbs.	72-30	2"	26.88"	2"
125250	4	2,500 lbs.	72-31	2"	26.88"	2"
710493	5	3,500 lbs.	72-32	2"	26.88"	2"
342781	5	3,500 lbs.	E5226	2"	26.5"	2.50"
797547	6	3500 lbs.	HW5116	2.00"	26.5"	2.00"
710494	7	4000 lbs.	72-33	2.00"	26.88"	2.00"
334744	6	4000 lbs.	E5115	2.00"	29.5"	2.50"
796558	7	4000 lbs.	E5226/7	2.00"	26.5"	2.00"
176326	5	5,000 lbs.	72-80	2.5"	30.5"	2.7"



## DOUBLE-EYE AXLE LEAF SPRINGS

- Replacement leaf springs for RV trailer suspension systems
- Available lengths: 21", 24" and 26"
- Weight capacity ranging from 1,000 - 4,000 lbs.



Part #	Springs	Capacity	Industry Standard	Loaded Length	Unloaded Eye-to-Eye Length	Loaded Arch Length
127094	3	1,000 lbs.	72-17	21"	20.375"	2.12"
127103	3	1,250 lbs.	72-06	24"	23.125"	2.5"
125215	3	1,750 lbs.	72-09	24"	23.2"	2.5"
125799	3	2,000 lbs.	72-18	24"	23.125"	2.5"
125797	3	2,000 lbs.	72-24	26"	25.25"	1.75"
125269	4	1,400 lbs.	72-13	21"	20.5"	2.38"
124903	4	1,750 lbs.	72-42	26"	25.5"	1.5"
702096	4	3,000 lbs.	72-26	26"	25.25"	1.75"
129745	4	2,200 lbs.	72-78	26"	25.25"	2"
133982	4	2,500 lbs.	72-20	24"	23.125"	2.5"
702095	4	2,600 lbs.	72-97	26"	25.25"	1.75"
679372	6	3,500 lbs.	72-98	26"	24.875"	1.75"
2021095282	7	4,000 lbs.	72-100	26"	24.875"	1.75"



## ELECTRIC BRAKE ASSEMBLIES

- Replacement standard electric brake assembly with park
- Easy, do-it-yourself installation
- Available in left-hand (driver) and right-hand (passenger)
- Four-, five- and seven-bolt mounting patterns
- Hardware sold separately
- New electric drum brakes will require a break-in period to achieve full performance



297956



298277



298275



181935



297998

Part #	Bulk #	Brake Size	Vehicle Side	Bolt Pattern	Axle Capacity	Adjustment
389875	--	7" x 1.25"	Driver / left	Four-bolt	2,200 lbs.	Manual
389876	--	7" x 1.25"	Passenger / right	Four-bolt	2,200 lbs.	Manual
297956	122258 (168-piece)	10" x 2.25"	Driver / left	Four-bolt	3,500 lbs.	Manual
298274	122450 (168-piece)	10" x 2.25"	Passenger / right	Four-bolt	3,500 lbs.	Manual
298275	122259 (126-piece)	12" x 2"	Driver / left	Five-bolt	4,000 - 7,000 lbs.	Manual
298276	122451 (126-piece)	12" x 2"	Passenger / right	Five-bolt	4,000 - 7,000 lbs.	Manual
298277	156443 (81-piece)	12.25" x 3.38"	Driver / left	Four-bolt	8,000 lbs.	Self-adjusting
298279	156444 (81-piece)	12.25" x 3.38"	Passenger / right	Four-bolt	8,000 lbs.	Self-adjusting
181935	--	12.25" x 3.38"	Driver / left	Seven-bolt	10,000 lbs.	Self-adjusting
181936	--	12.25" x 3.38"	Passenger / right	Seven-bolt	10,000 lbs.	Self-adjusting
297998	--	12.25" x 5"	Driver / left	Seven-bolt	12,000 - 16,000 lbs.	Self-adjusting
2979981	--	12.25" x 5"	Passenger / right	Seven-bolt	12,000 - 16,000 lbs.	Self-adjusting

# FORWARD SELF-ADJUSTING BRAKE ASSEMBLIES

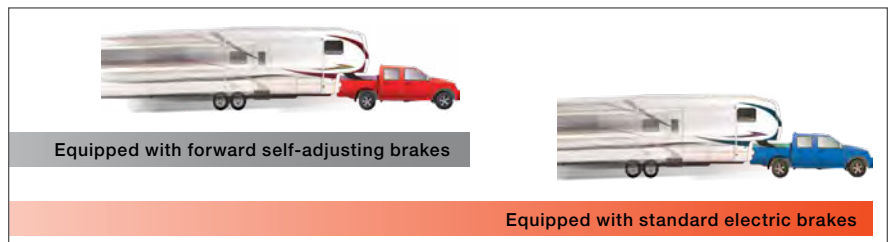
- With no actuator or hydraulic lines, installation is easier than hydraulic brakes
- Electric actuator (sold separately)
- Brakes self-adjust during every forward stop, providing up to 50% better braking distance
- Available in left-hand (road side) and right-hand (curb side) and multiple wheel sizes and axle ratings
- Helps prevent premature brake line and magnet wear for safer travels
- Lippert helps you take the guesswork out of getting your RV back on the road with exact-match parts designed for your RV



296649



Go with the name you trust and have peace of mind knowing you're traveling with a genuine Lippert replacement part



Brakes self-adjust during every forward stop, so you can safely brake during emergency stops. They provide optimal brake performance by correcting clearance during every stop. They also prevent premature brake line and magnet wear, which will save you money over the long haul

Bulk Part #	Pkg Part #	Brake Size	Vehicle Side	Bolt Pattern	Axle Capacity	Adjustment
1222583	296649	10" x 2.25"	Driver / left	Four-bolt	3,500 lbs.	Self-adjusting
1224503	296650	10" x 2.25"	Passenger / right	Four-bolt	3,500 lbs.	Self-adjusting
1222593	296651	12" x 2"	Driver / left	Five-bolt	4,000 - 7,000 lbs.	Self-adjusting
1224513	296652	12" x 2"	Passenger / right	Five-bolt	4,000 - 7,000 lbs.	Self-adjusting

## BRAKE ASSEMBLY REPLACEMENTS PARTS

- Compatible with Lippert electric brake assemblies
- Available for 10" x 2.25" or 12" x 2" assemblies
- Compatible with most RV manufacturers
- Magnet kit comes in oval design
- Pads are fully bonded to shoes for long life and more braking torque



Part #	Description	Kit Includes	Brake Size
136454	Magnet kit	Magnet with green lead wires, retainer clip and spring	10" x 2.25"
136451	Shoe and lining kit	Primary and secondary shoe and lining	10" x 2.25"
136447	Magnet kit	Magnet with black lead wires, retainer clip and spring	12" x 2"
136444	Shoe and lining kit	Primary and secondary shoe and lining	12" x 2"
136453	Adjuster screw and spring kit	Adjustment screw and spring for manual adjust brakes	--





## REPLACEMENT BRAKE HUBS

- Lippert genuine replacement part
- Designed for trailer axles up to 7,000 lbs.
- Constructed from solid iron
- Assemblies come with bearing cones, seal and grease installed
- One-year warranty



134206



126003



814209



Part #	Brake Hub Size	Bolt Pattern	Wheel Size	Stud Size	Bearing Kit #	Axle Capacity
<b>Brake Hub Only</b>						
134206	7"	5 on 4-1/2"	10" - 13"	1/2"	--	2,200 lbs.
126003	10"	5 on 4-1/2"	12" - 15"	1/2"	--	3,500 lbs.
136214	10"	6 on 5-1/2"	14" - 15"	1/2"	--	4,400 lbs.
122094	12"	6 on 5-1/2"	15" - 16"	1/2"	--	6,000 lbs.
122096	12"	8 on 6-1/2"	16"	1/2"	--	7,000 lbs.
134543	12"	8 on 6-1/2"	16" - 17-1/2"	9/16"	--	7,000 lbs.
<b>Brake Hub with Bearing Kit</b>						
814209	7"	5 on 4-1/2"	10" - 13"	1/2"	333948	2,200 lbs.
814210	10"	5 on 4-1/2"	12" - 15"	1/2"	333948	3,500 lbs.
814211	12"	6 on 5-1/2"	15" - 16"	1/2"	333948	6,000 lbs.
814212	12"	8 on 6-1/2"	16"	1/2"	333948	7,000 lbs.
814213	12"	8 on 6-1/2"	16" - 17-1/2"	9/16"	333948	7,000 lbs.
<b>Brake Hub Assemblies</b>						
814200	10"	5 on 4-1/2"	12" - 15"	1/2"	--	3,500 lbs.
141286	10"	6 on 5-1/2"	14" - 15"	1/2"	--	4,400 lbs.
814202	12"	6 on 5-1/2"	15" - 16"	1/2"	--	6,000 lbs.
814203	12"	8 on 6-1/2"	16"	1/2"	--	7,000 lbs.
814204	12"	8 on 6-1/2"	16" - 17-1/2"	9/16"	--	7,000 lbs.



814200

# RV BRAKE HUB ASSEMBLIES

- Lippert genuine replacement part
- Constructed from solid iron
- Pre-installed with bearing cones, seal and grease (#148629, #148627)
- Oil bath lets you check lubricant level without disassembling the hub (#341280, #341279)
- 1-year warranty



Part #	Oil Bath	Bolt Pattern	Wheel Size	Stud Size	Axle Capacity
148629	No	8 on 6-1/2"	16" to 17-1/2"	9/16"	8,000 lbs.
148627	No	8 on 6-1/2"	17-1/2"	5/8"	8,000 lbs.
341279	Yes	8 on 6-1/2"	16" to 17-1/2"	9/16"	8,000 lbs.
341280	Yes	8 on 6-1/2"	17-1/2"	5/8"	8,000 lbs.

# REPLACEMENT AXLE HUB DUST CAPS

- Shields bearings, grease and other inner hub components from dust and contaminants
- Identified by axle weight capacity, making it easy to find the right fit
- Available in Single or 10-pack
- Made for up to 8,000 lb. capacity axles
- Rubber plug not included



127206

122064

Part #	10-Pack #	Bore Size	Lube	Axle Capacity
122099	693794	2"	Non-lubed	2,000 - 3,500 lbs.
122067	693824	2"	Super lube	2,000 - 3,500 lbs.
122071	693795	2.5"	Non-lubed	5,200 - 6,000 lbs.
122064	693749	2.5"	Super lube	5,200 - 6,000 lbs.
127206	--	2.75"	Non-lubed	7,000 - 8,000 lbs.
127300	693748	2.75"	Super lube	7,000 - 8,000 lbs.



Shields bearings, grease and other inner hub components from dust and contaminants

# UNIVERSAL RUBBER INSERT FOR DUST CAPS

- Replacement rubber insert for axle hub dust cap
- Dust cap not included



Replacement rubber insert for axle hub dust cap

Part #	10-Pack #	Bore Size	For	Axle Capacity
122065	693722	Universal	Lubed dust caps	2,000 - 8,000 lbs.

# REPLACEMENT IDLER HUBS

- Lippert genuine replacement part
- Designed for trailer axles up to 3,500 lbs.
- Constructed from solid iron
- All kits include #333948 bearing kit
- Assemblies come with bearing cones, seal and grease installed
- One-year warranty



134574

Part #	Bolt Pattern	Hub Flange Diameter	Wheel Size	Stud Size	Bearing Kit #	Axle Capacity
<b>Idler Hub Only</b>						
134574	4 on 4"	--	8" - 12"	1/2"	--	2,200 lbs.
134332	5 on 4-1/2"	5-1/2"	8" - 12"	1/2"	--	2,200 lbs.
158529	5 on 4-1/2"	6-1/2"	13" - 15"	1/2"	--	2,200 lbs.
122098	5 on 4-1/2"	--	13" - 15"	1/2"	--	3,500 lbs.
144603	6 on 5-1/2"	--	14" - 15"	1/2"	--	4,400 lbs.
<b>Idler Hub with Bearing Kit</b>						
814206	4 on 4"	--	8" - 12"	1/2"	333948	2,200 lbs.
814207	5 on 4-1/2"	5-1/2"	13" - 15"	1/2"	333948	2,200 lbs.
814205	5 on 4-1/2"	6-1/2"	8" - 12"	1/2"	333948	2,200 lbs.
814208	5 on 4-1/2"	--	13" - 15"	1/2"	333948	3,500 lbs.
<b>Idler Hub Assemblies</b>						
814197	4 on 4"	--	8" - 12"	1/2"	--	2,200 lbs.
814198	5 on 4-1/2"	5-1/2"	13" - 15"	1/2"	--	2,200 lbs.
814196	5 on 4-1/2"	6-1/2"	8" - 12"	1/2"	--	2,200 lbs.
814199	5 on 4-1/2"	--	13" - 15"	1/2"	--	3,500 lbs.



814206



814197

# REPLACEMENT BEARING KITS

- Fits 3,500 to 7,000 lb. capacity trailer axles
- Includes all components needed to repack one axle hub: outer bearing with cotter pin, outer race, inner race, inner bearing and grease seal
- Compatible with Lippert, Dexter or Al-Ko trailer axle hubs



Part #	Outer Bearing	Outer Race	Inner Race	Inner Bearing	Axle Capacity	Includes
333948	L44649	L44610	L68111	L68149	3,500 lbs.	Grease seal and cotter pin
333949	LM67048	LM67010	25520	25580	5,200 lbs.	Grease seal and cotter pin
333950	15123	15245	25520	25580	6,000 lbs.	Grease seal and cotter pin
333951	14125A	14276	25520	25580	7,000 lbs.	Grease seal and cotter pin

# REPLACEMENT BEARING PARTS

- Lippert genuine replacement part
- Designed for trailer axles up to 8,000 lbs.



122092



122091



124292

Part #	Industry #	Axle Capacity
<b>Inner Bearing Cone</b>		
122092	L68149	3,500 lbs.
122066	25580	5,200 - 8,000 lbs.
<b>Inner Bearing Cup</b>		
124296	L68111	3,500 lbs.
124287	25520	5,200 - 8,000 lbs.
<b>Outer Bearing Cone</b>		
122090	LM67048	5,200 lbs.
122091	15123	6,000 lbs.
127009	14125A	7,000 lbs.

Part #	Industry #	Axle Capacity
<b>Outer Bearing Cup</b>		
124292	LM67010	5,200 lbs.
126996	15245	6,000 lbs.
127012	14276	7,000 lbs.
<b>Inner / Outer Bearing Cone</b>		
122089	L44649	2,000 lbs. (inner cone) 2,000 - 3,500 lbs. (outer cone)
<b>Inner / Outer Bearing Cup</b>		
125102	L44610	2,000 lbs. (inner cone) 2,000 - 3,500 lbs. (outer cone)

# REPLACEMENT GREASE SEALS

- Provides protective barrier between the axle hub grease and the outside elements
- Compatible with: Lippert, Dexter or Al-Ko trailer axle hubs with corresponding grease seal measurements
- Available in two- or 10-packs
- Fits 1,250 to 8,000 lb. capacity trailer axles



333962

Two-Pack #	10-Pack #	Axle Capacity	Spindle	Inside Diameter	Outside Diameter
333953	333954	1,250 lbs.	1"	1.249" ID	1.983" OD
333956	333957	2,200 lbs.	--	1.5" ID	1.987" OD
333960	333961	3,500 lbs.	--	1.719" ID	2.565" OD
333962	333963	5,200 - 8,000 lbs.	--	2.25" ID	3.376" OD

# REPLACEMENT UNITIZED OIL SEALS

- Provides protective barrier between the axle hub grease and the outside elements
- Fits up to 16,000 lb. capacity trailer axles

Part #	Dimensions	Shaft Size	Axle Capacity
276712	2.226" ID x 3.391" OD x 0.490"	2-1/4"	5,200 - 8,000 lbs.
176692	2.875" ID x 3.875" OD x 0.515"	2-7/8"	10,000 lbs.
295924	3.125" ID x 4.500" OD x 0.600"	3-1/16"	12,000 - 16,000 lbs.



276712



295924

# REPLACEMENT AXLE AP KITS & COMPONENTS

- Available in single, tandem or triple axle kits
- Tandem and triple kits include shackle links and mounting hardware
- Variety of assemblies and sizes available
- Choose from standard or wet bolt assemblies
- All kits include equalizers



121101



121097



121098



121099



121100

Part #	Description	Dimensions
121101	Single axle AP kit	3-1/8" link
121097	Tandem AP kit	33" axle spacing (EQ-104)
121098	Tandem AP kit	33" axle spacing (EQ-310)
128877	Tandem AP kit	33.5" axle spacing (EQ-13-4)
121099	Tandem AP kit	35" axle spacing (EQ-E1)
121100	Triple AP kit	33" axle spacing (EQ-104 & 105)
137383	Triple axle AP kit	33.5" axle spacing (EQ-13-4)
126171	Bronze bushing	.58" (ID) x .70 (OD) x 1.74" (L)



128877



126171

# REPLACEMENT SHACKLE LINKS

- Available in two sizes and standard or heavy-duty
- Connects suspension springs and axle hangers
- Measured by width from center hole to center hole
- Typically used with wet (greaseable) bolts

Part #	Includes	Center-To-Center
126172	One heavy-duty shackle link	2.25"
1567651	One heavy-duty shackle link	3.13"
133485	Two shoulder bolts and one shackle link	3.13"
125675	Standard shackle link assembly	2-1/4"
122487	One shackle link	2.25"
133207	One shackle link	3.13"



1567651



133207

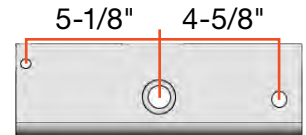


125675

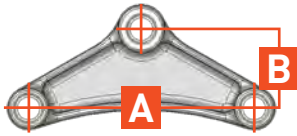
133485

# REPLACEMENT EQUALIZERS

- For use with double-eye springs
- Includes nylon bushings
- Equalizer connector allows for enough movement between the axles to keep the ride smooth and the load undisturbed



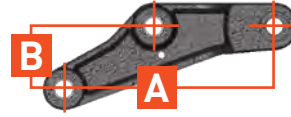
1277711



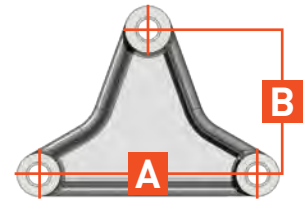
126460



122106



126277



126741

Part #	Description	A	B	Style	Application
126460	Equalizer	5-3/4"	2"	Standard curved (EQ-104)	Trailers with standard axle spacing
122106	Equalizer	7-3/4"	2-7/8"	Long curved (EQ-E1)	Trailers with longer than standard spacing
126277	Equalizer	6-3/4"	2"	Offset fork (EQ-105)	Offset fork on one point, giving it a scalene shape
126741	Equalizer	6-1/16"	4"	Tall (EQ-310)	2" taller than the standard. Provides 1" taller frame height
1277711	Equalizer connector	See diagram	See diagram	Fits 9/16" eye springs	Connects slipper springs on tandem- or triple-axle trailers

# REPLACEMENT AXLE MOUNTING KITS

- Includes four U-bolts, two tie-plates and eight nuts



297426



297427



297429

Part #	Thread End	Length	Axle Tube	Axle Capacity
297426	3/8"-24	4"	1.75"	2,200 lbs.
297427	1/2"-20	5.1"	2.38"	3,500 lbs.
297429	1/2"-20	6.5"	3"	4,400 lbs.

# REPLACEMENT AXLE U-BOLTS

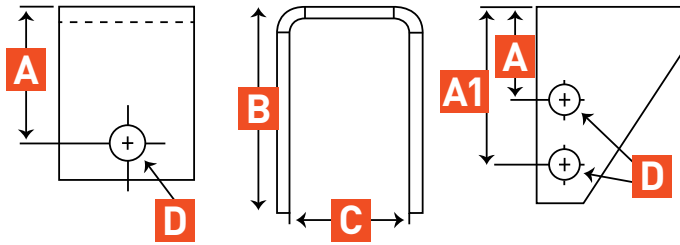
- Yellow zinc-plated finish resists rust and corrosion

Part #	Thread End	Length	Axle Tube	Axle Capacity
139737	3/8"-24	4"	1.75"	2,200 lbs.
122073	1/2"-20	5.1"	2.38"	3,500 lbs.
122070	1/2"-20	6.5"	3"	4,400 lbs.
2139541	9/16"-18	6.63"	3"	7,000 lbs.
1963511	9/16"-18	7.25"	3"	8,000 lbs.



# REPLACEMENT AXLE HANGERS

- Axle hangers are welded to the chassis to allow mounting of axles and axle components



106182



106183



106185



106184



102906

Part #	Description	To Hole (A)	Length (B)	Width (C)	Hole Size (D)
106181	Axle hanger	1.25"	1.948"	2"	9/16"
106182	Axle hanger	2.25"	2.948"	2"	9/16"
106183	Axle hanger	3.25"	3.048"	2"	9/16"
106185	Axle hanger	4.25"	4.948"	2"	9/16"
106184	Axle hanger	5"	5.609"	2"	9/16"
102906	Boot axle hanger	3"(A) / 5"(A1)	5"	2"	9/16"

# REPLACEMENT SPINDLE WASHERS

- For use in wheel end replacements



119214



119215



119216



179660

Part #	Style	Inside Diameter	Outside Diameter	Axle Capacity
119214	Round	1"	1.68"	5,200 lbs.
119215	D-flat	1"	1.68"	7,000 lbs.
119216	Locking tang	1"	1.68"	7,000 lbs.
179660	Round	1.06"	2"	5,200 - 8,000 lbs.

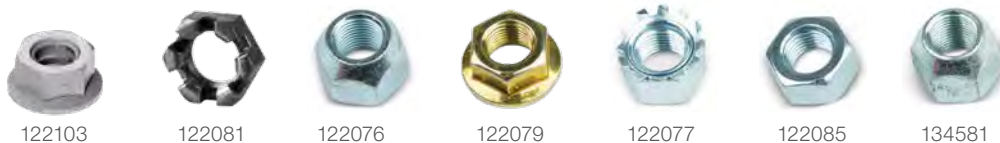
# REPLACEMENT AXLE BOLTS



Part #	Description	Diameter	Shoulder Length	Thread End
121803	Wheel lug stud	0.0617" knurl	2"	1/2"-20
122102	Shoulder bolt	9/16"	2.32"	7/16"-20
271254	Shoulder bolt	9/16"	2.82"	7/16"-20
126238	Wet bolt	9/16"	2.32"	7/16"-20
126197	Wet bolt	9/16"	2.82"	7/16"-20

# REPLACEMENT AXLE NUTS

- Replacement nuts used for suspension hardware for axles



Part #	Description	Thread End
122103	Shackle bolt flange lock nut	7/16"-20
122081	Six-slot spindle nut	1"-14
122076	60° cone wheel nut	1/2"-20
122079	U-bolt flange nut	1/2"-20

Part #	Description	Thread End
122077	Brake self-locking nut	3/8"-24
122085	Hex nut	7/16"-20
134581	60° cone lug nut	9/16"-18
2020221022	U-bolt flange nut	9/16"-18

# REPLACEMENT COMPONENTS

## Replacement wire connector

- Sealed wire connector for axles with electric brakes
- Fits all electric brake lead wires 20-12 GA wires



Part #	Includes
122084	One connector

## Replacement cotter pin

- Cotter pin should be replaced every time the hub is disassembled after use
- Standard size fits most applications



Part #	Axle Capacity
122075	Up to 8,000 lbs.

## Replacement grease zerk

- For all Super-Lube axle spindles by Lippert
- Allows for easy lubrication of wet bolt equalizers and lubricated axles



Part #	Includes
122255	One grease zerk



# LIPPERT TRAILER AXLE SOLUTIONS

Lippert axles always take you further. Our state-of-the-art robotic welders ensure the highest precision and quality on every component. Our axle assemblies and components are traceable down to the exact production run and original lot number, giving us optimum product visibility and serviceability.

## Features & Benefits

- Powder-coated tube assemblies and zinc plated hardware prevent rust and corrosion
- Waterproof connections on all electrical wiring ensures long-term electrical performance, protects connections from the elements and helps prevent corrosion
- One-piece, integrated spindle flange machining ensures consistent material for increased strength and improved brake alignment (3,500 - 16,000 lb. straight axles)
- Weld quality verified using ultrasound technology ensures proper weld location, penetration and quality
- DC electric nut runner with recordable torque readings provides consistent and accurate U-bolt torque for component traceability
- Automated and robotic spindle welding improves weld quality and consistency with hard-fixture tooling to ensure tow and camber alignment accuracy and reduced tire wear
- 100% brake adjustment during assembly ensures brakes have correct adjustment and maximum effectiveness once activated
- 100% brake continuity checks ensure all wiring and magnets are connected, live and operational
- Automated grease pack line ensures bearing and cup compatibility, seal fit, and delivers repeatable and reliable amount of grease
- Aluminum alloy, upgraded Valcrum premium oil bath caps will not crack like plastic oil caps
- Forward self-adjusting brakes for improved brake performance and consistency
- Electric, hydraulic, hydraulic free-backing and hydraulic disc brakes available

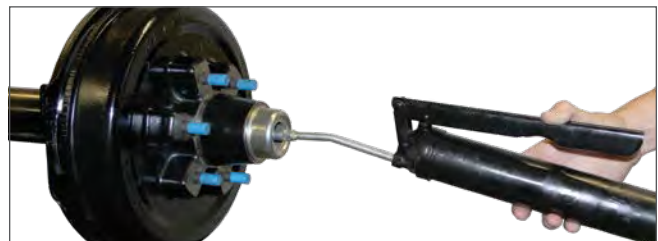
## Optional Features

- Forward self-adjusting brakes for improved brake performance and consistency (7,000 lbs. and under)
- Coated with E-coat primer to triple corrosion resistance life



## Advantages of Super Lube

- Time-saving lubrication system requires no disassembly of wheels or hubs
- Makes changing grease easier and cleaner
- Super Lube system fills the entire bearing cavity with grease, allowing for complete submersion
- Pumping new grease through zerk purges old grease for a complete repack
- Better long-term protection than standard hubs



Grease cap with rubber plug allows easy access to grease zerk in axle spindle



## Torsion Axles

- Requires less maintenance than spring axles
- Rubberized torsion beam and cords absorb road shock and vibrations for a quiet, smooth ride
- Available in square and diamond orientations
- Various starting angles control trailer height
- Independent wheel suspension

## Spring Axles

- Integrated, one-piece spindle flange
- Straight or drop spindles
- Slipper or double-eye leaf spring suspension
- Standard or upgraded equalized suspension

## Axle Comparison Chart

Feature	Torsion Axles	Spring Axles
Warranty	11-year	6-year
Axle assemblies	Single, tandem	Single, tandem, triple
Axle capacity	2,000 - 12,000 lbs. (square bracket) 2,000 - 7,000 lbs. (diamond bracket)	2,000 - 16,000 lbs.
Idler axles	2,000 - 8,000 lbs.	2,000 - 8,000 lbs.
CSA certification	2,000 - 7,000 lbs.	2,000 - 7,000 lbs.
Oil bath option	7,000 - 12,000 lbs.	7,000 - 16,000 lbs.
Valcrum premium oil caps included on	8,000 - 12,000 lbs.	8,000 - 16,000 lbs.
Forward self-adjusting brakes option	3,500 - 12,000 lbs.	3,500 - 16,000 lbs.
Hutch HD suspension system option in single, tandem or triple applications	--	10,000 - 16,000 lbs.
Super lube lubrication system option	2,000 - 8,000 lbs.	Standard on 8,000 lb.

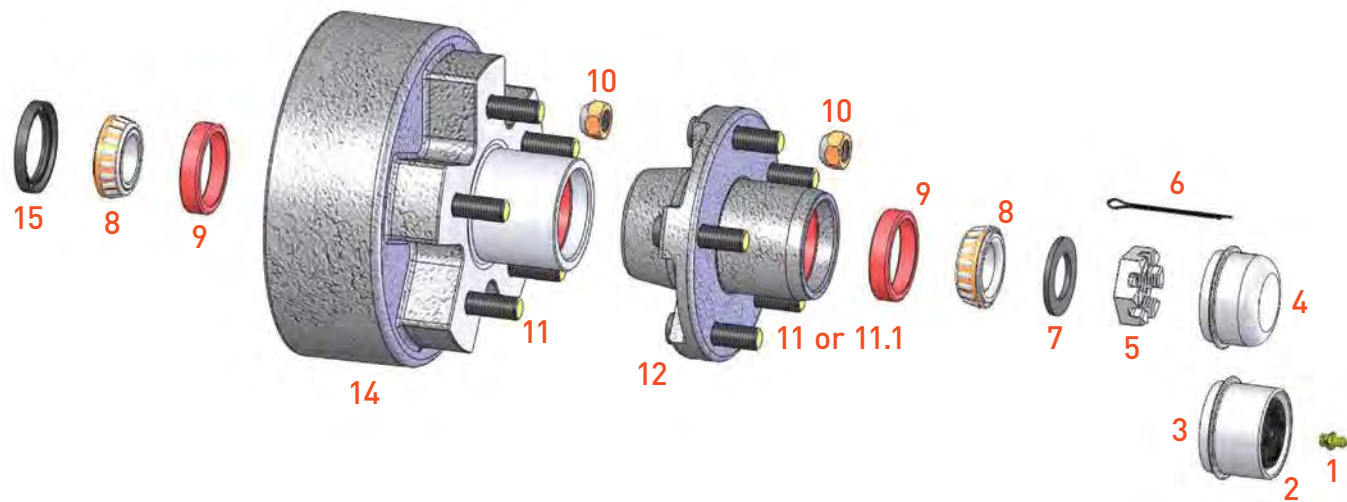


Diamond pattern torsion axle



Square pattern torsion axle

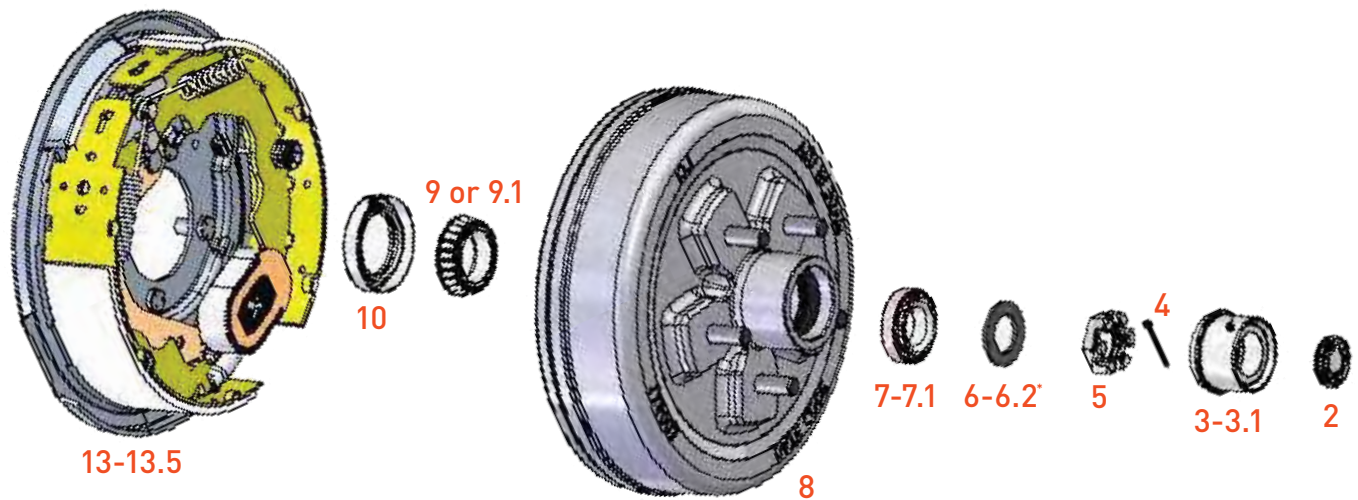
# 2,000 LB. WHEEL END REPLACEMENT PARTS



Item #	Part #	Description
1	122255	Grease zerk, lubed
2	122065	Rubber dust cap insert, lubed
3	122067	Hub dust cap with Super Lube (2")
4	122099	Hub dust cap (2")
5	122081	Six-slot spindle nut (1"-14)
6	122075	Cotter pin
7	119214	Spindle washer, round
8	122089	Inner / outer bearing cone (L44649)

Item #	Part #	Description
9	125102	Inner / outer bearing cup (L44610)
10	122076	60° cone wheel nut (1/2"-20)
11	121803	Wheel lug stud (.617 knurl)
11.1	181677	Wheel lug stud (.545 knurl)
12	134332	Idler hub: 5 on 4-1/2" with 5-1/2" flange
12.1	158529	Idler hub: 5 on 4-1/2" with 6-1/2" flange
12.2	134574	Idler hub: 4 on 4"
14	134206	Brake hub: 5 on 4-1/2"
15	139514	Grease seal (1.50" ID)

# 3,500 LB. WHEEL END REPLACEMENT PARTS

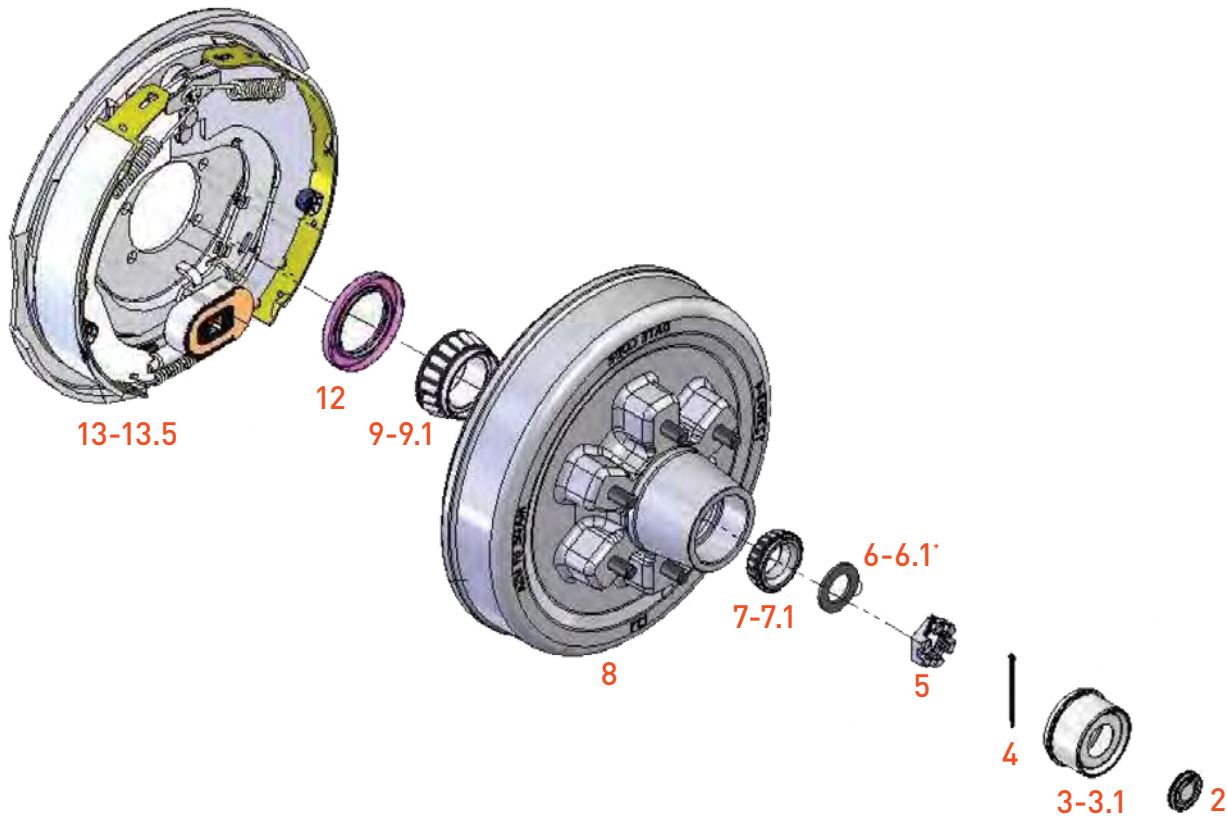


Item #	Part #	Description
1	122255	Grease zerk, lubed
2	122065	Rubber dust cap insert, lubed
3	122067	Hub dust cap with Super Lube (2")
3.1	122099	Hub dust cap (2")
4	122075	Cotter pin
5	122081	Six-slot spindle nut (1"-14)
6*	119214	Spindle washer, round
6.1*	119215	Spindle washer, D-flat
6.2*	119216	Spindle washer, locking tang
7	122089	Outer bearing cone (L44649)
7.1	125102	Outer bearing cup (L44610)
8	126003	Hub drum with cups and studs (5 on 4-1/2")

Item #	Part #	Description
9	122092	Inner bearing cone (L68149)
9.1	124296	Inner bearing cup (L68111)
10	122087	Grease seal, double-lip (1.72" ID)
11	122076	60° cone wheel nut (1/2"-20)
12	121803	Wheel lug stud (.617 knurl)
13	122258	Electric brake assembly, left (10" x 2.25")
13.1	122450	Electric brake assembly, right (10" x 2.25")
13.2	136451	Shoe and lining kit
13.3	136454	Magnet kit
13.4	136452	Spring & hardware kit for one brake
13.5	136453	Adjuster screw and spring kit

\* Use #6.1 / #6.2 in place of #4 & #6 if spindle has no hole for cotter pin and has D-flat washer

# 5,200 LB. WHEEL END REPLACEMENT PARTS

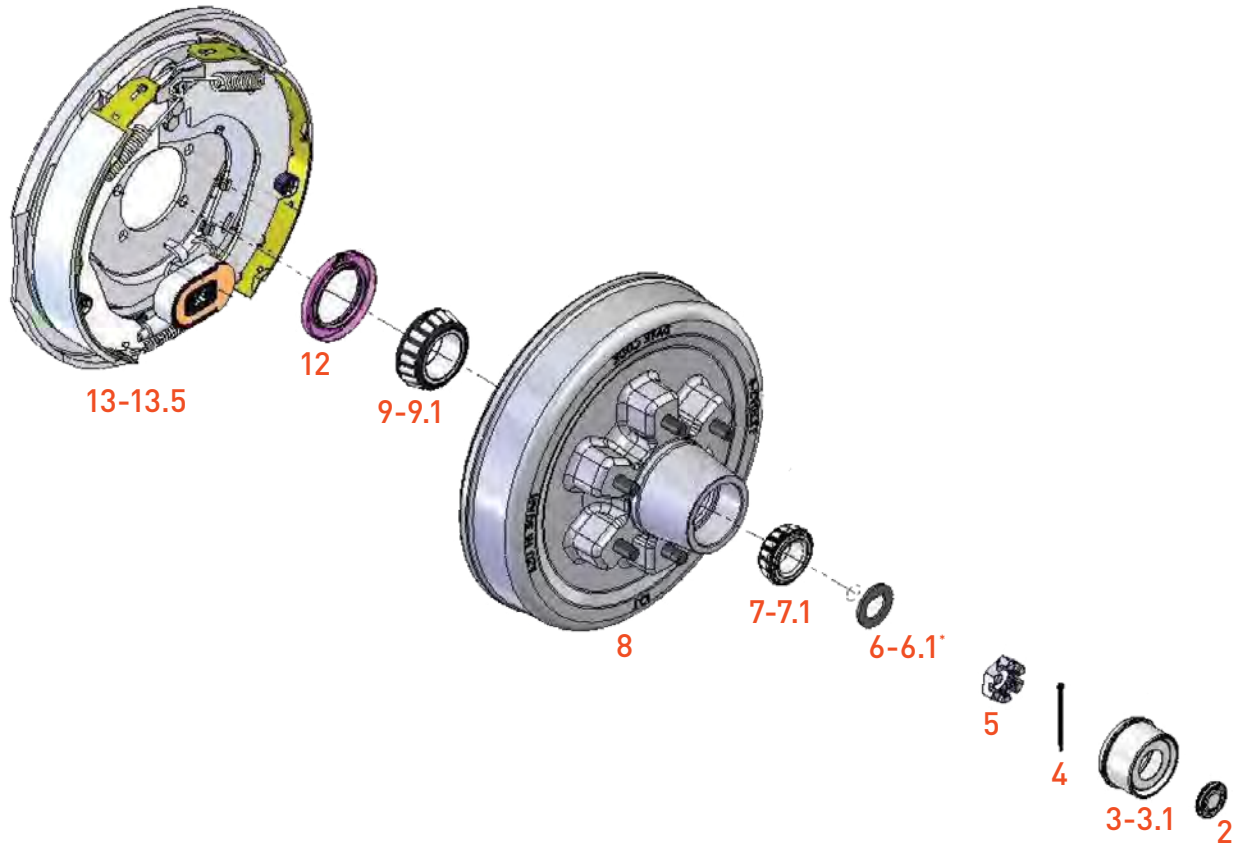


Item #	Part #	Description
1	122255	Grease zerk, lubed
2	122065	Rubber dust cap insert, lubed
3	122064	Hub dust cap with Super Lube (2.5")
3.1	122071	Hub dust cap (2.5")
4	122075	Cotter pin
5	122081	Six-slot spindle nut (1"-14)
6*	119214	Spindle washer, round
6.1*	119215	Spindle washer, D-flat
6.2*	119216	Spindle washer, locking tang
7	122090	Outer bearing cone (LM67048)
7.1	124292	Outer bearing cup (LM67010)
8	122094	Hub drum with cups and studs (6 on 5-1/2")
9	122066	Inner bearing cone (25580)
9.1	124287	Inner bearing cup (25520)

Item #	Part #	Description
10	122076	60° cone wheel nut (1/2"-20)
11	121803	Wheel lug stud (.617 knurl)
12	122088	Grease seal, double-lip (2.25" ID)
13	122259	Electric brake assembly, left (12" x 2")
13.1	122451	Electric brake assembly, right (12" x 2")
13.2	136444	Shoe and lining kit
13.3	136447	Magnet kit
13.4	136445	Spring & hardware kit for one brake
13.5	136453	Adjuster screw and spring kit
14	792607	Caliper attaching bracket
15	792625	Caliper assembly with fittings and pads
16	792646	One piece hub rotor 6 bolt

\* Use #6.1 / #6.2 in place of #4 & #6 if spindle has no hole for cotter pin and has D-flat washer

# 6,000 LB. WHEEL END REPLACEMENT PARTS

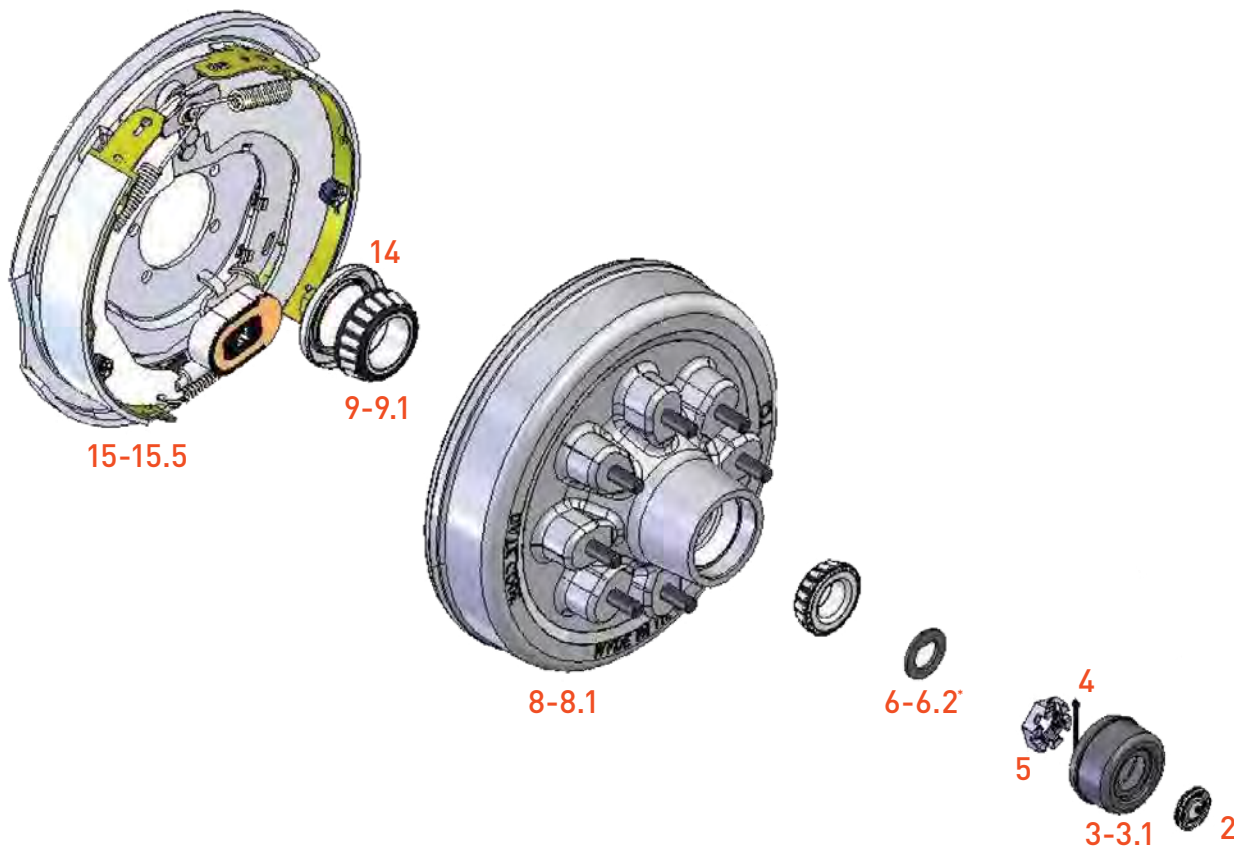


Item #	Part #	Description
1	122255	Grease zerk, lubed
2	122065	Rubber dust cap insert, lubed
3	122064	Hub dust cap with Super Lube (2.5")
3.1	122071	Hub dust cap (2.5")
4	122075	Cotter pin
5	122081	Six-slot spindle nut (1"-14)
6*	179660	Spindle washer, round
6.1*	172888	Spindle washer, D-flat
6.2*	119216	Spindle washer, locking tang
7	122091	Outer bearing cone (15123)
7.1	126996	Outer bearing cup (15245)
8	122094	Hub drum with cups and studs (6 on 5-1/2")
9	122066	Inner bearing cone (25580)
9.1	124287	Inner bearing cup (25520)

Item #	Part #	Description
10	122076	60° cone wheel nut (1/2"-20)
11	121803	Wheel lug stud (.617 knurl)
12	122088	Grease seal, double-lip (2.25" ID)
13	122259	Electric brake assembly, left (12" x 2")
13.1	122451	Electric brake assembly, right (12" x 2")
13.2	136444	Shoe and lining kit
13.3	136447	Magnet kit
13.4	136445	Spring & hardware kit for one brake
13.5	136453	Adjuster screw and spring kit
14	792607	Caliper attaching bracket
15	792625	Caliper assembly with fittings and pads
16	792646	One piece hub rotor 6 bolt

\* Use #6.1 / #6.2 in place of #4 & #6 if spindle has no hole for cotter pin and has D-flat washer

# 7,000 LB. WHEEL END REPLACEMENT PARTS

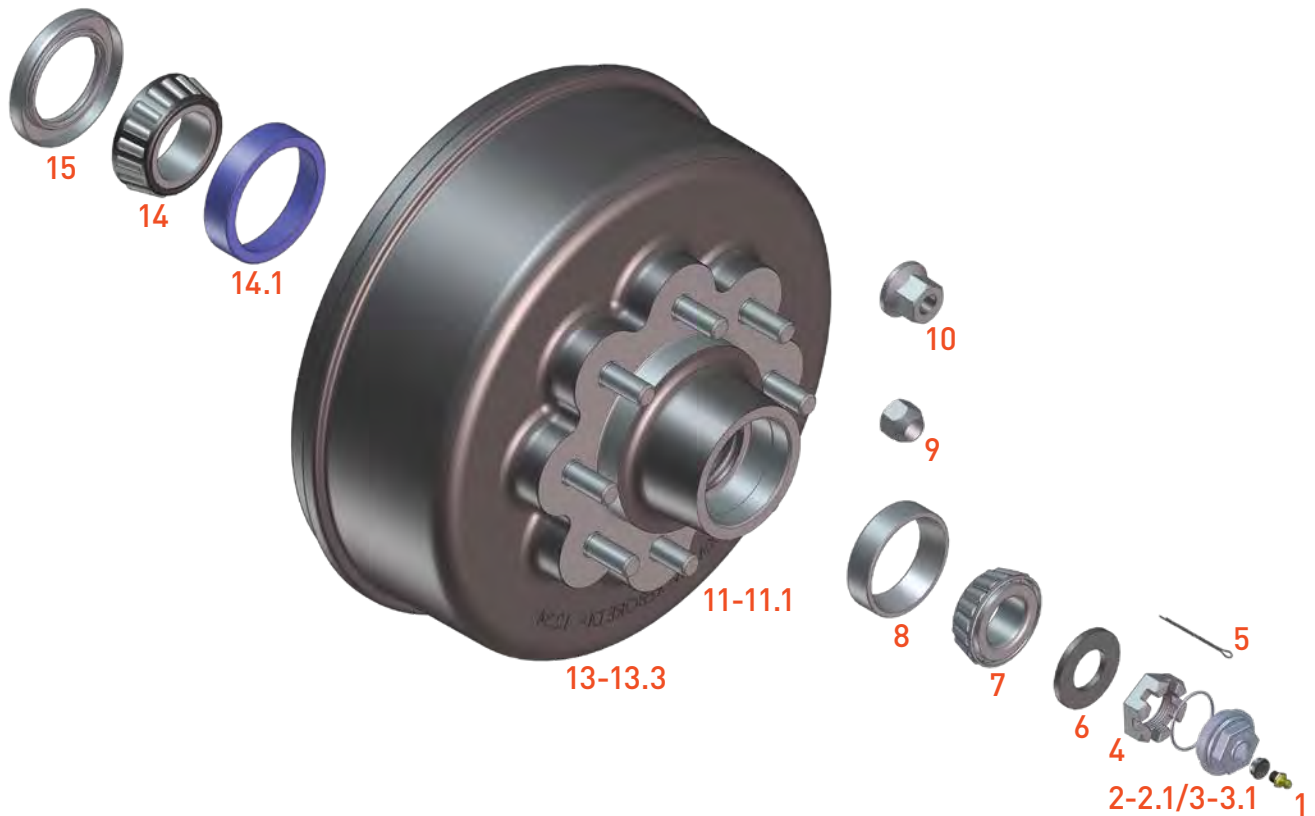


Item #	Part #	Description
1	122255	Grease zerk, lubed
2	122065	Rubber dust cap insert, lubed
3	127300	Hub dust cap with Super Lube (2.75")
3.1	127206	Hub dust cap (2.75")
4	122075	Cotter pin
5	122081	Six-slot spindle nut (1"-14)
6*	179660	Spindle washer, round
6.1*	172888	Spindle washer, D-flat
6.2*	119216	Spindle washer, locking tang
7	127009	Outer bearing cone (14125A)
7.1	127012	Outer bearing cup (14276)
8	122096	Hub drum with cups and studs (8 on 6-1/2" 1/2" studs)
8.1	134543	Hub drum with 9/16" studs (8 on 6-1/2")
9	122066	Inner bearing cone (25580)
9.1	124287	Inner bearing cup (25520)

Item #	Part #	Description
10	121803	Wheel lug stud (.617 knurl)
11	132624	Wheel lug stud (.617 knurl) 9/16"
12	122076	60° cone wheel nut (1/2"-20)
13	134581	60° cone wheel nut (9/16"-20)
14	122088	Grease seal, double-lip (2.25" ID)
15	122259	Electric brake assembly, left (12" x 2")
15.1	122451	Electric brake assembly, right (12" x 2")
15.2	136444	Shoe and lining kit
15.3	136447	Magnet kit
15.4	136445	Spring & hardware kit for one brake
15.5	136453	Adjuster screw and spring kit
16	792608	Caliper assembly with fittings and pads
17	792626	Caliper attaching bracket
18	792648	Rotor, eight bolt with 1/2" studs
19	792674	Rotor, eight bolt with 9/16" studs

\* Use #5.1 / #5.2 in place of #3 & #5 if spindle has no hole for cotter pin and has D-flat washer

# 8,000 LB. WHEEL END REPLACEMENT PARTS

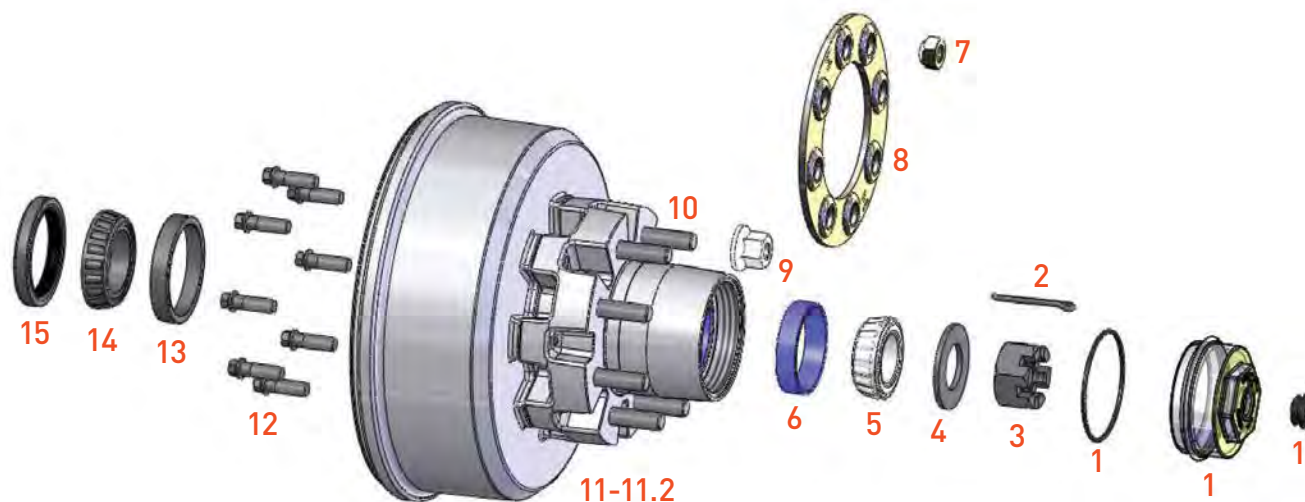


Item #	Part #	Description
1	122255	Grease zerk, lubed
2	695814	Clear plastic oil cap (includes rubber plug and O-ring)
2.1	85373928	Aluminum oil cap aluminum with rubber plug, O-ring and fill plug
3	700266	Black plastic oil cap (includes rubber plug and O-ring)
3.1	85373929	Aluminum grease cap with rubber plug and O-ring
4	122081	Six-slot spindle nut (1"-14)
5	122075	Cotter pin
6	179660	Spindle washer, round
7	129752	Outer bearing cone (02475)
8	168687	Outer bearing cup (02420)
9	134581	60° cone lug nut (9/16"-18)
10	176321	Flange wheel nut (5/8"-18)
11	175704	Stud (9/16"-18)
11.1	175705	Stud (5/8"-18)
13	2772121	Brake hub (12-1/4") - 865-5/8", 4.75" pilot
13.1	2772101	Brake hub (12-1/4") - 865-9/16", 4.75" pilot

Item #	Part #	Description
13.2	347627	Brake hub (12") - 865-5/8", 4.75" pilot
13.3	359552	Brake hub (12") - 865-9/16", 4.75" pilot
14	122066	Inner bearing cone (25580)
14.1	124287	Inner bearing cup (25520)
15	122088	Grease seal, double-lip (2.25" ID)
16	276712	Unitized oil seal (2.226" ID)
17	156443	Electric brake assembly, left (12" x 3.38")
18	156444	Electric brake assembly, right (12" x 3.38")
19	162836	Brake bolt (1/2"-20 x 1-1/2")
20	162838	Brake lock washer (1/2")
21	122253	Brake hex nut (1/2"-20)
22	330792	Shoe and lining kit
23	3307921	Shoe and lining kit
24	293115	Magnet kit
25	792683	Caliper assembly with fittings and pads
26	792626	Caliper attaching bracket
27	792678	Rotor, eight bolt with 5/8" studs
28	792674	Rotor, eight bolt with 9/16" studs



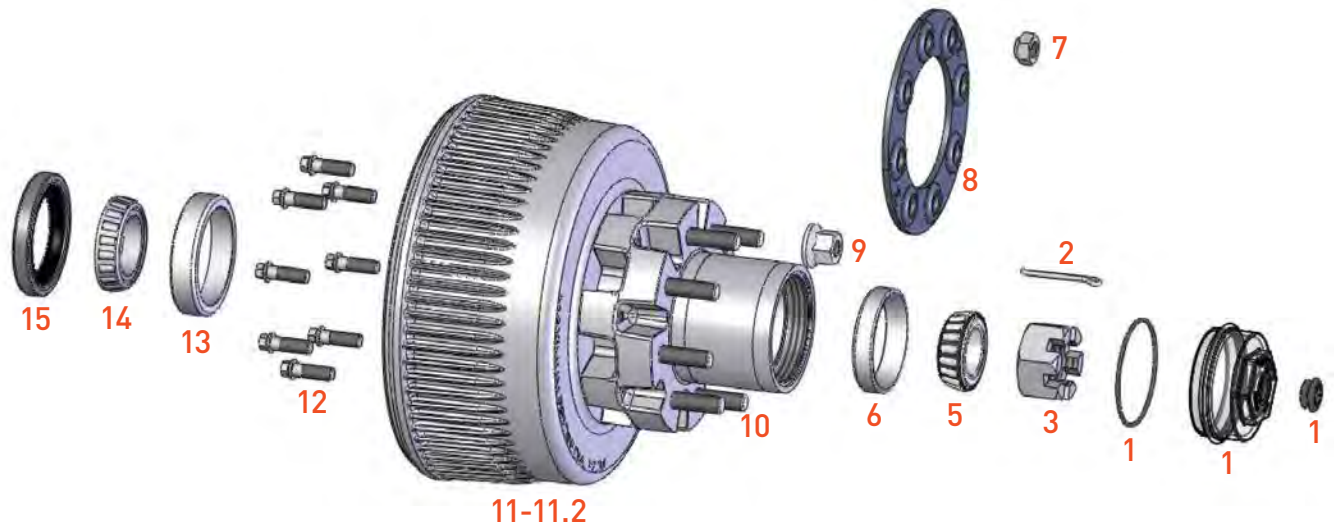
# 10,000 LB. WHEEL END REPLACEMENT PARTS



Item #	Part #	Description
1	693935	Clear plastic oil cap (includes rubber plug and O-ring)
1.1	85373828	Aluminum oil cap aluminum with rubber plug, O-ring and fill plug
1.2	85373829	Aluminum grease cap with rubber plug and O-ring
2	181899	Cotter pin
3	181894	Spindle nut (1-1/2"-12)
4	181895	Spindle washer
5	122066	Inner bearing cone (25580)
6	124287	Inner bearing cup (25520)
7	205048	Wheel nut (5/8")
8	205049	Wheel clamp ring for 5/8" studs
9	176321	Flange wheel nut (5/8"-18)
10	183128	Stud (5/8"-18)
11	791399	Brake drum hub - 865-5/8", 4.75" pilot
11.1	791398	Idler hub - 865-5/8", 4.75" pilot
11.2	791397	Brake drum

Item #	Part #	Description
12	183536	Drum mounting bolt
13	183463	Inner bearing cup / race (382A)
14	183807	Inner bearing cone (387A)
15	176692	Unitized oil seal (2.875" ID)
16	181935	Electric brake assembly, left (12" x 3.38")
17	181936	Electric brake assembly, right (12" x 3.38")
18	207576	Brake bolt (7/16"-20 x 1-1/2")
19	122086	Brake lock washer (7/16")
20	122085	Hex nut (7/16"-20)
21	330792	Shoe and lining kit
22	3307921	Shoe and lining kit
23	293115	Magnet kit
24	792685	Caliper attaching bracket
25	2020111769	Caliper assembly with fittings and pads
26	2020111739	Hub-rotor 865-5/8"

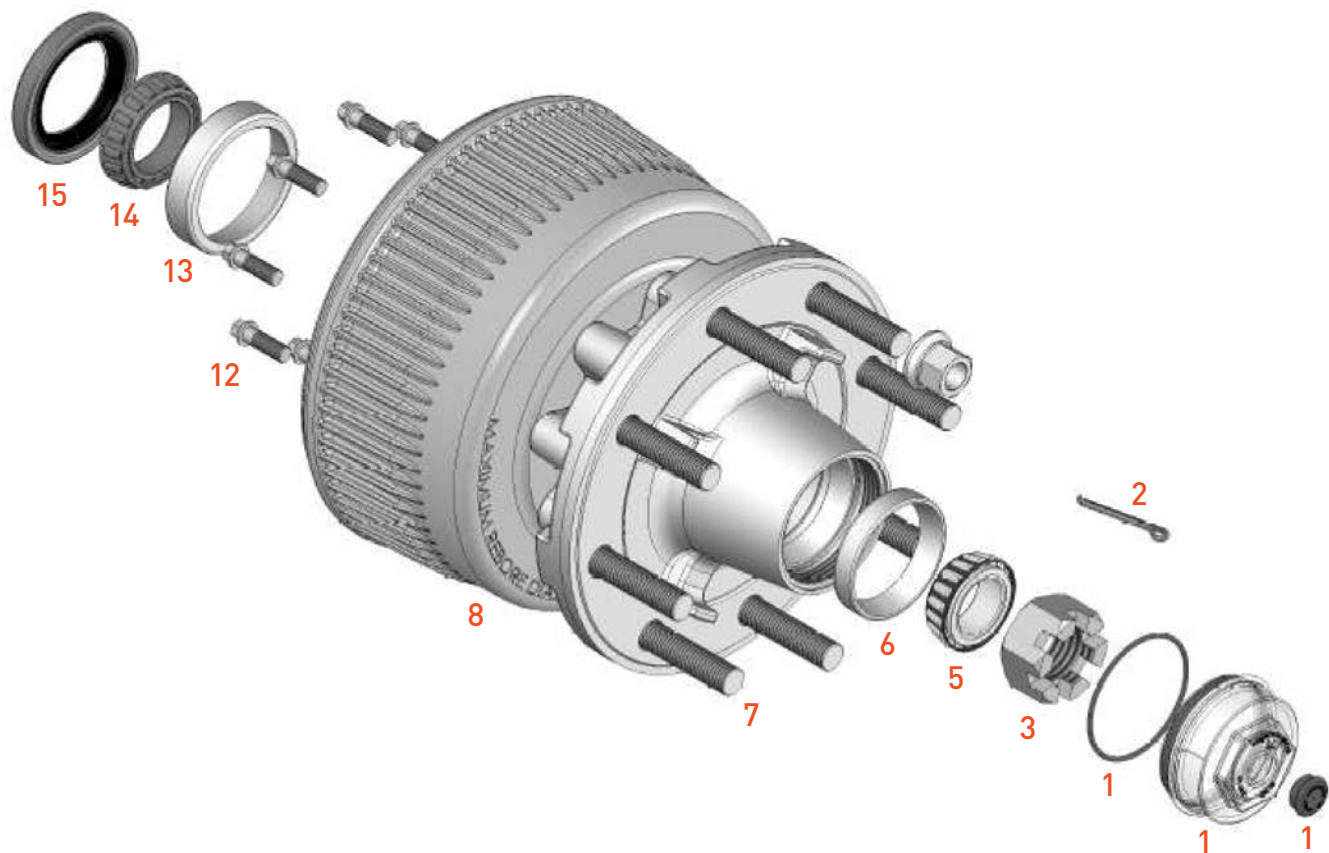
# 12,000 LB. WHEEL END REPLACEMENT PARTS



Item #	Part #	Description
1	693935	Clear plastic oil cap (includes rubber plug and O-ring)
1.1	85373828	Aluminum oil cap aluminum with rubber plug, O-ring and fill plug
1.2	85373829	Aluminum grease cap with rubber plug and O-ring
2	181899	Cotter pin
3	330037	Spindle nut (1-3/4")
4	358550	Spindle washer (1-3/4")
5	293382	Outer bearing cone (28682)
6	293381	Outer bearing cup / race (28622)
7	205048	Wheel nut (5/8")
8	205049	Wheel clamp ring for 5/8" studs
9	176321	Flange wheel nut (5/8"-18)
10	183128	Stud (5/8"-18)
11	297983	Brake drum hub - 865-5/8", 4.75" pilot
11.1	301691	Idler hub - 865-5/8", 4.75" pilot
11.2	696690	Brake drum

Item #	Part #	Description
12	183536	Drum mounting bolt
13	293379	Inner bearing cup / race (3920)
14	293380	Inner bearing cone (3984)
15	295924	Unitized oil seal (3.125 ID)
16	297998	Electric brake assembly, left (12" x 5")
17	2979981	Electric brake assembly, right (12" x 5")
18	207576	Brake bolt (7/16"-20 x 1-1/2")
19	122086	Brake lock washer (7/16")
20	122085	Hex nut (7/16"-20)
21	330793	Shoe and lining kit
22	3307931	Shoe and lining kit
23	293115	Magnet kit
24	792685	Caliper attaching bracket
25	202011769	Caliper assembly with fittings and pads
26	202011749	Hub-rotor 865-5/8"

# 16,000 LB. WHEEL END REPLACEMENT PARTS



Item #	Part #	Description
1	693935	Clear plastic oil cap (includes rubber plug and O-ring)
1.1	85373828	Aluminum oil cap aluminum with rubber plug, O-ring and fill plug
1.2	85373829	Aluminum grease cap with rubber plug and O-ring
2	181899	Cotter pin
3	330037	Spindle nut (1-3/4")
4	358550	Spindle washer (1-3/4")
5	293382	Outer bearing cone (28682)
6	293381	Outer bearing cup / race (28622)
7	352774	Stud (M22)
8	353323	Brake drum hub - 8 on 275mm, M22 studs
9	352303	Wheel nut, M22
10	696690	Brake drum
11	352777	Idler hub assembly 8 on 275mm 22mm studs

Item #	Part #	Description
12	183536	Drum mounting bolt
13	293379	Inner bearing cup / race (3920)
14	293380	Inner bearing cone (3984)
15	295924	Unitized oil seal (3.125 ID)
16	297998	Electric brake assembly, left (12" x 5")
17	2979981	Electric brake assembly, right (12" x 5")
18	207576	Brake bolt (7/16"-20 x 1-1/2")
19	122086	Brake lock washer (7/16")
20	122085	Hex nut (7/16"-20)
21	330793	Shoe and lining kit
22	3307931	Shoe and lining kit
23	293115	Magnet kit
24	792685	Caliper attaching bracket
25	2020111769	Caliper assembly with fittings and pads
26	2020111550	Hub-rotor 8 on 275mm 22mm studs

# GOODYEAR® TIRE & WHEEL ASSEMBLIES

- Tow heavier loads with confidence
- Polyester construction reinforced with steel belts
- Minimize air loss while towing with an enhanced inner liner
- Operate at lower temperatures and track straight
- Enhanced tread pattern allows for a smooth, straight tow
- "N" speed rating at 87 mph
- Ideal for highway traffic
- Lionshead 1-2-5 lifetime plus protection
- First-year 'no excuses guarantee'
- 2-year complimentary roadside assistance
- 5-year warranty on radial ST tires
- Lifetime structural warranty on all wheels
- Nitrogen filled tires



Defend against scuffs and punctures with Scuff Guard and Durawall® technology



Optimized tread depth and a decoupling groove keep the tire cool at faster speeds



Stylized aluminum wheels for a modern look

Steel Chrome #	Aluminum Chrome #	Steel Black #	Aluminum Black #	Width	Ratio	Diameter	Load Range	Tire	Wheel	Bolt Pattern
2020328881	2020328911	2020328883	2020328912	ST205	75	R14	D	Radial	14" x 5.5"	5 x 4.5
2020328886	2020328913	2020328888	2020328914	ST205	75	R15	D	Radial	15" x 5"	5 x 4.5
2020328889	2020328917	2020328892	2020328918	ST225	75	R15	E	Radial	15" x 6"	6 x 5.5
2020328893	2020328919	2020328894	2020328920	ST235	80	R16	E	Radial	16" x 6"	6 x 5.5
2020328895	2020328921	2020328896	2020328923	ST235	80	R16	E	Radial	16" x 6"	8 x 6.5

## TIRE & WHEEL ACCESSORIES

- Replacement parts for tire and wheel assemblies

Part #	Description	Size	Fits
2020329089	Chrome lug hex nut	1/2"	1.38" 3/4 hex
2020329084	Open stainless center cap	3.195	Five-lug aluminum wheels
2020329085	Open stainless center cap	4.250	Six-lug aluminum wheels
2020329087	Open stainless center cap	4.885	Eight-lug aluminum wheels
2020329088	Chrome center snap-in cap	--	All center caps



# RV LEVELING & STABILIZATION

# FEATURED PRODUCTS



## | Ground Control®

Ground Control 3.0 automatically levels your RV with the push of a button to promote less hassle and more time enjoying your campsite.



## | Power Stance™ tongue jack

Power Stance™ tongue jack easily connects to your tow vehicle, no worrying about draining your RV's power or using a hand crank.



## | JT's Strong Arm™

Eliminate unwanted chassis movement and get a rock-solid camping experience with this durable triangle stabilizer kit.

## PRODUCT INDEX



**37**

Ground Control® 3.0



**38**

Level Up® Systems



**39**

Power Gear® Systems



**40**

PSX™ Power Stabilizers



**42**

Power Stance™ Tongue Jack



**43**

A-Frame Smart Jack™



**44**

A-Frame Power Tongue Jack



**45**

Quick Drop® A-Frame Jack



**46**

Manual Scissor Jacks



**47**

Universal Landing Gear



**50**

JT's Strong Arm™ Jack



## GROUND CONTROL® TT AUTOMATIC TRAVEL TRAILER LEVELING SYSTEM

- Compatible with I-beam frames only
- Built with heavy-gauge steel and a powder coat finish
- Includes all necessary hardware for installation
- Compatible with OneControl®



Includes our touchpad controller that can be wall-mounted for easy operation



In under three minutes, Ground Control will level and stabilize your travel trailer



672136

Part #	Configuration	GVWR
672136	Five-point	10,000 lbs.

# GROUND CONTROL® 3.0 AUTOMATIC 5TH WHEEL LEVELING SYSTEM

- Electric stabilization system for 5th wheel RVs
- Wireless, one-touch remote included
- Saves significant time setting up your campsite
- Auto re-hitch memory function
- Enhanced stability with rear round leveling jacks
- Includes all necessary hardware for installation
- Available in four- or six-point configurations



Engineered with Hall Effect technology, delivering more accurate, precise leveling



A push of a button will level your RV in a fraction of the time of manual leveling



Built with heavy gauge steel, large, rounded rear jacks and a powder-coat finish

Part #	Configuration	GVWR
358590	Four-point	15,500 lbs.
675817	Six-point	15,500 lbs.

# GROUND CONTROL® 3.0 REPLACEMENT REMOTE & CHARGER

- Allows you to operate your leveling system from anywhere
- No installation or assembly required



Part #	Includes
358601	Remote and charger





## LEVEL UP® HYDRAULIC LEVELING SYSTEMS

- Levels and stabilizes a motorhome in less than a minute using a one-touch auto-leveling feature
- Enhances camping experience by preventing annoying rocking and swaying at the campsite
- Patented aluminum leveling jacks are about 70 lbs. lighter than competing systems
- Pumps are on average 40% more efficient
- Will not put undue stress on the chassis



Patented aluminum leveling jacks are about 70 lbs. lighter than competing systems



Enhances camping experience by preventing rocking and swaying at the campsite



Levels and stabilizes motorhome in less than a minute using a one-touch auto-leveling

Part #	Size	Pump Orientation	Kit Includes	Material	Capacity	Reservoir Capacity & Orientation
294717	Four-point	Vertical	Basic Ready Chassis Kit	Aluminum	8,000 lbs.	7Q vertical
645281	Four-point	Vertical	Complete Ready Chassis Kit	Aluminum	8,000 lbs.	7Q vertical
291102	Six-point	Horizontal	Basic Kit	Aluminum	14,000 lbs.	7Q horizontal
645275	Six-point	Horizontal	Complete Kit	Aluminum	14,000 lbs.	7Q horizontal
291101	Six-point	Vertical	Basic Kit	Aluminum	14,000 lbs.	7Q horizontal
645273	Six-point	Vertical	Complete Kit	Aluminum	14,000 lbs.	7Q horizontal



## POWER GEAR® HYDRAULIC ELECTRIC LEVELING SYSTEMS

- Automatic system uses smart electronics to minimize frame twist
- Patented safety feature retracts all jacks when the parking brake is released



359158



359157

Kit #	GVWR	Kit Includes						
		Pump #	Hose #	Touch Pad #	Control / Harness #	Front Leg #	Rear Leg #	Harness #
359155	54,000 lbs.	359327	359249	359080	--	359352	359351	359478
359156	36,000 lbs.	359327	359250	359080	--	359352	359352	359066
359157*	30,000 lbs.	359269	359251	359080	359248 / 359067	359394	359384	359478
359158*	18,000 lbs.	359360	359252	359080	359248 / 359067	359404	359394	359478

\* Requires a mounting bracket kit for installation (sold separately)

Ford mounting kit #359253 (1010001271)

Workhorse mounting kit# 359233 (1010001549)



## PSX2™ POWER STABILIZER

- Legs automatically adjust to uneven terrain
- Front and rear mounting application available for maximum stability
- Dual motors independently control both legs
- Constructed with a heavy gauge steel frame
- Embossed legs for added protection
- Powder-coat finish to reduce wear and tear from the elements
- Legs extend up to 30"



695602



Stop wasting time and energy with manual cranks. A flip of a switch is all it takes to take the sway out of your RV or trailer



Automatically adjust to uneven, rugged terrain. Each leg operates independently, navigating the surface until secured in place



Built with heavy gauge steel, embossed legs and a powder-coat finish to withstand the elements and perform day after day

Part #	Switch Color	Lift Range
695602	Black	30"

# PSX1™ POWER STABILIZER

- Legs automatically adjust to uneven terrain
- Front and rear mounting applications available for maximum stability
- One motor independently controls both legs
- Equipped with integrated breaker technology to protect users from damaging their RV
- Powder-coat finish to reduce wear and tear from the element
- Legs extend up to 30"



298707



Stop wasting time and energy with manual cranks. A flip of a switch is all it takes to take the sway out of your RV or trailer



Automatically adjust to uneven, rugged terrain. Each leg operates independently, navigating the surface until secured in place



Built with heavy gauge steel, embossed legs and a powder-coat finish to withstand the elements and perform day after day

Part #	Switch Color	Lift Range
298707	Black	30"
369774	White	30"

## POWER STABILIZER REPLACEMENT PARTS

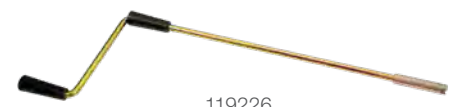
- Compatible with all Lippert power stabilizers
- Support arms constructed from heavy-gauge steel (#1134121, #1134122)
- Will easily retract Lippert manual jacks and power stabilizers should a power outage occur (#119226)



1134121



1134122



119226

Part #	Description	Includes
1134121	1-1/2" support arm, black	One 19-1/4" long bar
1134122	1-1/2" support arm, yellow	One 19-1/4" long bar
119226	Manual crank handle	One handle
673594	Double spacer kit	Four spacers
352338	Electric stabilizer motor	Motor and boot cover



673594



352338



## POWER STANCE™ ELECTRIC A-FRAME JACK

- Raises and lowers trailer tongue using vehicle or trailer battery power
- Can be hardwired into trailer or plugged into any vehicle 7-way RV blade
- Four LEDs illuminate the area for easier nighttime setup
- Helical-cut gears reduce noise and improve operating efficiencies
- Enhanced rocker switch for improved durability and ease of operation
- Removable jack foot for increased trailer stability
- Includes emergency hand crank for manual backup
- Patent-pending

813749



813748



Power Swap cord connects to the vehicle, instead of draining the RV battery or hand cranking



Integrated chain hangers and 7-way inlet underneath the jack hood for convenient storage



Built-in LED lights shine down on the coupler making it easy to see and operate your jack at night



Equipped with an emergency manual crank option, so you will never be stranded

Part #	Lift Capacity	Travel	Bracket Height	Retracted Height	Extended Height	Main Body Material	Finish
813748	3,500 lbs.	18"	9"	10-5/8"	28-5/8"	UV-resistant black plastic	Gloss black
813749	Power Swap Auxiliary Cord™ for Power Stance™ tongue jack						



## SMART JACK™ ELECTRIC A-FRAME JACK

- Raise and lower your jack with an easy, one-touch button
- Integrated LED lights shine on the coupler
- Battery indicator alerts user of RV battery level
- Helical-cut gears provide quiet, efficient operation
- Extra-large footplate provides excellent stability
- Built to do heavy lifting with 30-amps of power and a 12V motor
- Manual override is located conveniently at the top of the jack, if needed
- Includes manual crank handle and hardware for easy bolt-on installation



733925



643589



Modern, backlit monitor illuminates when touched for night-time operation and turns off automatically to preserve battery



Auto-hitch memory and auto-retract features automatically retract and extend jack to the original hitch height with the push of a button



Bright, halo-effect LED lights illuminate the ball and coupler, so you can operate your jack at night, worry-free

Part #	Lift Capacity	Travel	Bracket Height	Retracted Height	Extended Height	Main Body Material	Finish
643589	3,500 lbs.	18"	10-1/2"	32-1/4"	54-3/4"	UV-resistant black plastic	Gloss black
733925	Override plug for Smart Jack (includes two plugs)						

# POWER TONGUE JACK

- Raise and lower your jack with an easy, one-touch button
- Helical-cut gears provide quiet, efficient operation
- Large footplate provides excellent stability
- Manual override is located conveniently at the top of the jack, if needed
- Durable, textured casing helps protect jack from damage
- Includes mounting hardware, pins and crank handle for manual override



With the push of a button, you can raise or lower your A-frame trailer in a fraction of the time, without breaking a sweat



Four integrated LED lights illuminate the ball and coupler, so you can operate your jack at night, worry-free



Helical-cut gears, 30 amps of power and a 12V motor to get the job done, quietly and efficiently, so you don't have to

Part #	Lift Capacity	Travel	Bracket Height	Retracted Height	Extended Height	Main Body Material	Finish
285318	3,500 lbs.	18"	10-7/8"	10-3/4"	28-3/4"	UV-resistant black plastic	Gloss black
733924	Override plug for Power Tongue Jack (includes two plugs)						

# POWER TONGUE JACK REPLACEMENT SWITCHES

- Exact replacement switches for power tongue jack
- Easy, do-it-yourself installation

Part #	Description
2020102614	Extend / Retract Switch Assembly
2020104072	On / Off light Switch Assembly



2020102614



2020104072

# QUICK DROP® DRILL-OPERATED A-FRAME JACK

- Fits most cargo, utility and travel trailers
- Includes manual hand crank for backup operation
- Do not use impact drill for operation
- Durable gloss black powder coat finish
- Removable jack foot for increased trailer stability
- Patent #10,463,161



Innovative 3/4" top nut allows jack to be raised or lowered with a power drill



Faster, easier operation with no hand cranking required



733926

Part #	Lift Capacity	Wind	Handle Type	Travel	Bracket Height	Retracted Height	Extended Height	Finish
733926	2,000 lbs.	Top	Straight	14"	8-1/2"	9-1/2"	23-1/2"	Gloss black

# MANUAL SIDEWINDER A-FRAME JACK

- Ideal for A-frames, travel trailers or utility trailers
- Side-wind, manual operation
- Can be bolted or welded on to trailer frame
- Rust-prohibitive finish on all metal surfaces
- Foot pad and mounting hardware not included



Can be bolted or directly welded on to your trailer frame



Smooth, ergonomically designed handle makes it easy to operate the side-wind crank



285420

Part #	Lift Capacity	Wind	Handle Type	Travel	Bracket Height	Retracted Height	Extended Height	Finish
285420	2,000 lbs.	Side	Straight	14-3/4"	8-1/2"	9-1/2"	23-1/2"	Gloss black



# MANUAL SCISSOR JACKS

- Fits most 5th wheel, cargo, utility and travel trailers
- Rust-prohibitive finish on all metal surfaces (excluding raw finish)
- Universal weld-on or bolt-on application
- Built with a bow-tie base for added stability
- Raw includes one jack
- Single includes one jack and four mounting bolts
- Kits include two jacks, manual crank handle and eight mounting bolts



285344



182149



285325



285326



Built tough with a black, powder-coated finish and rust-inhibitive surface



Rated to support up to a 5,000 lb. load capacity per jack



Inexpensive and extremely reliable, this jack easily replaces old or broken stabilizer jacks

Raw #	Single #	Kit #	Retracted Height	Extended Height	Capacity
115780	285325	285326	4-1/4"	24"	5,000 lbs.
182149	285332	285344	4-1/4"	30"	5,000 lbs.

# MANUAL CRANK HANDLE FOR SCISSOR & TONGUE JACKS

- Easy to use with no assembly required
- Can also be used for power tongue jacks in case of power failure
- Will retract most Lippert landing gear and slide-out assemblies

Part #	Includes
285324	One crank handle with 3/4" hex head



285324



## UNIVERSAL MOUNT LANDING GEAR

- Power operation eliminates the need for manual cranking (#333964)
- Rated up to a 6,000 lb. capacity
- Connection rod allows for easy, tandem operation
- Designed for 5th wheel RVs
- Durable, powder-coated and rust-inhibitive surface



333964



333966

Part #	Description	Capacity	Includes
333964	Power Universal Mount Landing Gear Kit	6,000 lbs.	Landing gear legs, foot pads and pins, gears, motor, switch, mounting brackets and crank handle
333966	Manual Universal Mount Landing Gear Kit	6,000 lbs.	Landing gear legs, foot pads and pins, gear pack and shaft, mounting brackets and crank handle

# LANDING GEAR FOOT PADS

- 9" diameter landing gear foot pads replace standard landing gear foot pads
- Provides increased stability
- Easy do-it-yourself installation



Stabilize your RV with this extra-large 9" pad



210475

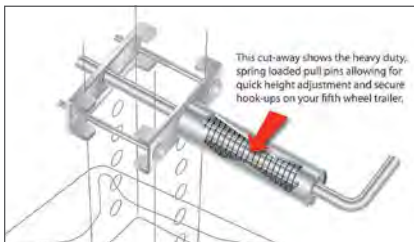


314667

Part #	Two-Pack #	Includes
210475	314667	Lug adapter

# QUICK RELEASE PULL PINS

- Quicker and easier than a standard hair pin
- One-time installation/permanently attached
- Bolt-on installation; no welding required
- Bright, zinc-plated finish



Heavy-duty, spring-loaded pull pin allows for quick height adjustment and secure hook-ups on your RV



Innovative 3/4" top nut allows jack to be raised or lowered with a power drill



308287

Part #	Pin Diameter	Fits Hole Size	Includes
308287	3/8"	7/16"	Two pull pins

# UNIVERSAL MOUNT LANDING GEAR REPLACEMENT PARTS



700052

## Standard footpad kit

- Includes clevis pin and bridge pin for attaching to the jack leg



113511

## Weld-on saddle bracket

- Includes leg bracket only, no other parts included



156842

## Cross shaft tube kit

- Includes two cross shaft tubes (1" x 32-1/4" and 3/4" x 41")



196308

## Heavy-duty landing gear motor (Tucson)

- Includes 6,500 lb. Tucson landing gear motor for 5th wheel RVs



141893

## High-speed landing gear motor (Tucson)

- Includes 5,000 lb. Tucson landing gear motor for 5th wheel RVs



142178

## Standard landing gear motor (Venture)

- Includes leg bracket only, no other parts included



276602



179015

## Aluminum gear boxes

- Includes replacement gear box for universal mount landing gear



217884

## IP-rated motor switch kit

- Includes landing gear motor switch and wire harness



145236

## IP-rated motor switch kit

- Includes landing gear switch wire harness and plate



179013

## Universal lead leg

- Includes landing gear lead leg and snap pin



179014

## Universal follow leg

- Includes landing gear follow leg and snap pin



146059 - lead

146060 - follow

## Gear repair kits

- Includes all necessary repair hardware



## JT'S STRONG ARM™ JACK STABILIZERS

Each stabilizer tube bolts on to each landing gear leg and to the RV frame, forming a rigid triangle to eliminate unwanted chassis movement and provide a rock-solid camping experience, no welding required. The patented universal system attaches to scissor and telescoping jacks as well as front landing gear.

- Eliminates unwanted chassis movement
- Provides a rock steady camping experience
- Tubes telescope for perfect fit
- Securely locks in place for peace of mind
- One-time installation/permanently attached
- Compatible with all types of jacks
- Bolt-on installation — No welding required
- Includes outer tubes, inner tubes and mounting hardware



191023



Designed to eliminate chassis movement in your 5th wheel RV or travel trailer using the same engineering as a race car chassis



With no welding required, this system can easily bolt-on to your landing gear and RV frame for a one-time installation



Designed to work with most major RV jack assemblies — including scissor, front landing gear and telescoping

Part #	For Use With
191023	Standard 5th wheels
191024	Short 5th wheels
191025	Travel trailers

# JT'S STRONG ARM™ REPLACEMENT PARTS

- Genuine replacement parts for JT's Strong Arm™ stabilizer jacks



314592

## Hydraulic jack pad adapter lug

- Used to attach JT's Strong Arm to round footpads on hydraulic landing gear
- Includes two adapter lugs



314597

## Electric stabilizer pad adapter kit

- Attaches an electric stabilizer to JT's Strong Arm Jack Stabilizer
- Includes four jack pads



314596

## 4" Swing Bolt Kit

- Exact replacement for JT's Strong Arm jack stabilizer
- Includes two swing bolts, four washers and two nuts



314595

## 1-1/4" Swing bolt kit

- Exact replacement for JT's Strong Arm jack stabilizer
- Includes two swing bolts, four washers and two nuts



314594

## T-bolts

- Tightens the jack stabilizers when in travel position and locks them down when in camping position
- Must always be loosened when raising or lowering the stabilizer jacks
- Includes two T-bolts



314602

## T-handle tightening tool

- Tighten JT's Strong Arm T-bolts from a standing position
- Includes one 27-1/2" tool

Part #	Description
314592	Hydraulic jack pad adapter lug
314597	Electric stabilizer pad adapter kit
314596	4" Swing Bolt Kit

Part #	Description
314595	1-1/4" Swing bolt kit
314594	T-bolts
314602	T-handle tightening tool



# TRUCK CAMPER COMPONENTS

# FEATURED BRAND & PRODUCTS



## HappiJac by Lippert

Providing upgradeable camper jacks and the only camper tie-down system that effectively controls camper movement in all directions.



## Truck camper jacks

Our screw jacks features square tubing and include an outer tube that has been powder coated for superior corrosion resistance.



## Direct-to-frame systems

We combined frame strength and sound engineering to create an I-beam truss structure to make your camper an integral part of the truck.

## PRODUCT INDEX



**54**  
Camper  
Jacks



**55**  
Camper Jack  
Accessories



**56**  
Camper Jack  
Motor Drives



**57**  
Tie-Down  
Kits



**59**  
Tie-Down  
Turnbuckle Kits



**60**  
Tie-Down  
Stabilizing Bars



**61**  
Tie-Down Front  
Anchor Plates



**62**  
Tie-Down  
Bumper Braces



**63**  
Replacement  
Parts





## HAPPIJAC® CAMPER JACKS

- Replacement jack leg for HappiJac truck camper system
- Powder-coated outer tube resists corrosion
- Easy-to-access manual override with full 360° cranking
- Efficient, precision CAD design sustains quiet operation
- Upgradeable to electric



Just like your original HappiJac equipment for a seamless installation



Electrical upgrade option for more efficient operation

Part #	Description	Color	Capacity
736514	Single 4220 Acme screw jack	White	2,200 lbs.
736515	Single 4820 Acme heavy duty screw jack	White	2,800 lbs.
758731	Single 4220 Acme screw jack	Black	2,200 lbs.
758730	Single 4820 Acme heavy duty screw jack	Black	2,800 lbs.



736514 (cap not included)

# HAPPIJAC® CAMPER JACK ACCESSORIES

- Easy-to-operate manual crank handles allow you to lift and lower your camper jack system



182496



182495



182436



1824362



182912

Part #	Description	Dimensions	Includes	Compatible With
182496	Swing out extension brackets	--	Two white brackets	HappiJac screw jacks
794105	Swing out extension brackets	--	Two black brackets	HappiJac screw jacks
182495	Jack lift extenders (4 each)	6" clearance	Four extenders and hardware	HappiJac screw jacks
182436	Crank handle, standard	4"	One handle	HappiJac screw jacks
1824362	Crank handle, long	8"	One handle	HappiJac screw jacks
182912	Hex drive drill adapter	--	One hex drive	HappiJac screw jacks

# HAPPIJAC® CAMPER JACK REMOTE CONTROLLERS

- Replacement remote controller for jack wireless motor kits
- Requires two AA batteries (not included)
- Remote controller must be matched with the correct logic board (20 amp, 25 amp, CCS)



723915



149557

Part #	Description	Compatible With
723915	Wireless remote controller - 25 amp and CCS only	HappiJac screw jacks
149557	Remote control replacement coiled cable	HappiJac screw jacks

# HAPPIJAC® CAMPER JACK SINGLE MOTOR HEADS

- Replacement motor heads for your electric jack system
- Includes one motor head



182515



759927

Part #	Includes	Compatible With
182515	Electric motor head (old style horizontal orientation)	HappiJac screw jacks
2021095619	Black vertical CCS motor head	HappiJac screw jacks #758731, #758730
759927	White vertical CCS motor head	HappiJac screw jacks #736514, #736515

# HAPPIJAC® CAMPER JACK MOTOR DRIVE ASSEMBLIES

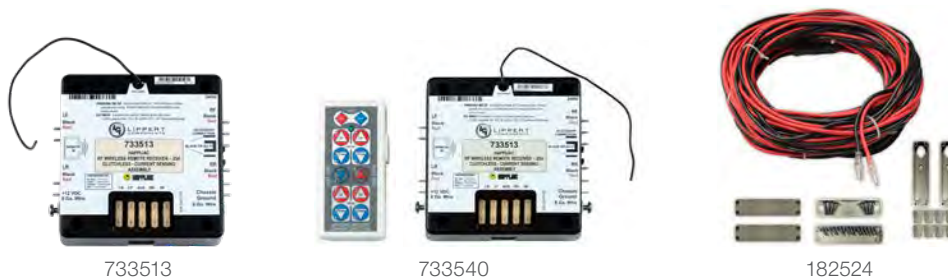
- Converts your camper jack into a wireless electric system
- May require rewiring of camper



Part #	Includes	Compatible With
728520	Motor drive assembly with wireless remote (old style horizontal motors)	HappiJac screw jacks
733960	White clutchless, current sensing (ccs) motor drive assembly with wireless remote	HappiJac screw jacks #736514 / #736515
733961	Black clutchless, current sensing (ccs) motor drive assembly with wireless remote	HappiJac screw jacks #758731, #758730

# HAPPIJAC® CAMPER JACK REPLACEMENT LOGIC BOARDS & UPGRADE KITS

- Replaces your camper jack wireless electric system components



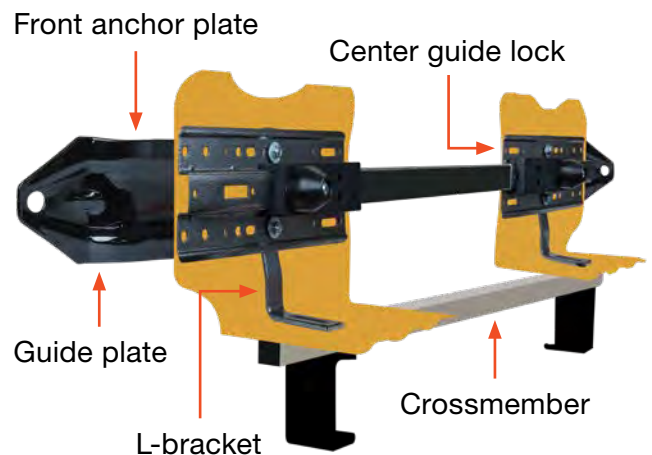
Part #	Description	Includes	Compatible With
733513	Clutchless, current sensing (CCS) wireless main logic board	Remote controller and logic board	HappiJac screw jacks (requires remote controller #723915)
733540	Wireless Main Logic Board	Remote controller and logic board	HappiJac screw jacks
182524	Wiring kit for electric option	Wiring, four junction boxes and mounting screws	HappiJac screw jacks



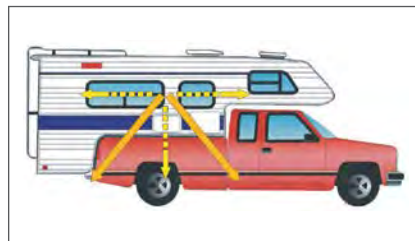
## HAPPIJAC® DIRECT-TO-FRAME TIE-DOWN KITS

HappiJac's innovative direct-to-frame camper tie-down system puts leverage to work for you. Our design combines frame strength and sound engineering principles to create an I-beam truss structure that makes your camper an integral part of the truck, providing unsurpassed strength and security.

- Prevents camper movement in all directions, up-down, side-to-side and front-to-back
- Makes camper an integral part of the truck
- Direct-to-frame mount is strong and easy to use
- Designed with four secure tie-down points
- Includes two front support braces / brackets, two rear anchors / brackets and installation hardware
- Requires HappiJac turnbuckles and stabilizing bar (sold separately)
- See next page for applications
- Please verify compatibility before purchase



I-beam truss creates a superior system by utilizing the truck frame, bed and tie-down components to form a truss structure



Controls camper movement in all directions



# HAPPIJAC® DIRECT-TO-FRAME TIE-DOWN KITS APPLICATION GUIDE

Make / Model	Style	Years	Part#	Stabilization Bar #
<b>Chevrolet</b>				
C/K Series	Old body style	88 - 00	FT-UT9 (182910)	USB-010 required*
Silverado	All	20 - 23	COMING SOON	--
		15 - 19	FT-CG14 (350763)	USB-010 required*
	With step bumper	14 - 14	FT-CG14 (350763)	USB-010 required*
	Excl. extended cab and 2014 1500 series	07 - 14	FT-CG07S (182905)	USB-010 required* (includes FM-CBB07)
	Extended cab	07 - 13	FT-CG07 (182904)	USB-010 required* (includes FM-CBB07)
Silverado Classic	--	99 - 07	FT-CG9 (182906)	USB-010 required*
<b>Dodge</b>				
1500	With bed front panel waffle iron pattern	08 - 09	FT-DR8 (205220)	SB-080 required*
	With bed front panel vertical ribs only	02 - 08	FT-DR2 (182908)	SB-020 required*
	--	02 - 02	FT-DR2 (182908)	SB-020 required*
		94 - 01	FT-UT9 (182910)	USB-010 required*
2500 / 3500	Excl. Ram Box or short bed dually	10 - 10	FT-DR10 (236326)	SB-080 required*
	With bed front panel waffle iron pattern	08 - 09	FT-DR8 (205220)	SB-080 required*
	With bed front panel vertical ribs only	03 - 08	FT-DR2 (182908)	SB-020 required*
	--	94 - 02	FT-UT9 (182910)	USB-010 required*
<b>Ford</b>				
F-Series	All	17 - 23	COMING SOON	--
		80 - 96	FT-UT9 (182910)	USB-010 required*
F-250 / F-350 Super Duty	--	97 - 16	FT-UT9 (182910)	USB-010 required* 1999-2014 bumper brace recommended*
F-450 Super Duty	--	08 - 16	FT-UT9 (182910)	USB-010 required* 1999-2014 bumper brace recommended*
<b>GMC</b>				
C/K Series	Old body style	88 - 00	FT-UT9 (182910)	USB-010 required*
Sierra	All	20 - 23	COMING SOON	--
		15 - 19	FT-CG14 (350763)	USB-010 required*
	With step bumper	14 - 14	FT-CG14 (350763)	USB-010 required*
	Excl. extended cab and 2014 1500 series	07 - 14	FT-CG07S (182905)	USB-010 required* (includes FM-CBB07)
	Extended cab	07 - 13	FT-CG07 (182904)	USB-010 required* (includes FM-CBB07)
Sierra Classic	--	99 - 07	FT-CG9 (182906)	USB-010 required*
<b>Ram</b>				
1500	--	19 - 23	COMING SOON	--
2500 / 3500	Excl. Ram Box or short bed dually	11 - 23	FT-DR10 (236326)	SB-080 required*
<b>Toyota</b>				
Tundra	--	20 - 23	COMING SOON	--
	6-1/2' bed only	07 - 19	DF-TT07 (184089)	No bar required

\* Sold separately



## HAPPIJAC® QWIK-LOAD® TURNBUCKLE KITS

- Simple to install on truck bed and bumper
- Locking mechanism included
- Spring-loaded barrel is easy to disconnect
- Deep tension-release handle to fit various hand sizes
- Deep tension-release handle to fit various hand sizes
- J-hooks provide strong, secure anchor points
- Stainless steel with zinc-coated rust and corrosion resistance



FM-QLTB (182895)



FM-QLTBS (182897)

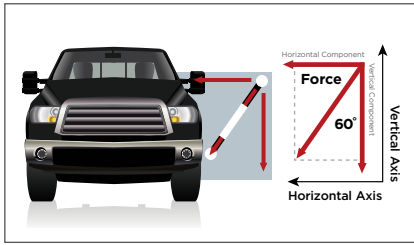


FM-QLTBR (182896)

Part #	Front Reach	Front Hook Length	Rear Reach	Rear Hook Length	Includes
FM-QLTB (182895)	16-1/2" - 23-1/2"	11"	22-1/2" - 35-1/2"	24"	Two front and two rear Qwik-Load turnbuckles
FM-QLTBS (182897)	16-1/2" - 23-1/2"	11"	--	--	One front Qwik-Load turnbuckle
FM-QLTBR (182896)	--	--	22-1/2" - 35-1/2"	24"	One rear Qwik-Load turnbuckle

# HAPPIJAC® TURNBUCKLE KITS

- Installs just like your original standard turnbuckles



Tension can be adjusted after installation for maximum stability



Part #	Front Reach	Front Hook Length	Rear Reach	Rear Hook Length	Includes
FM-TB (182898)	16-1/2" - 23-1/2"	11"	22-1/2" - 35-1/2"	24"	Two front and two rear turnbuckles
FM-TBS (182901)	16-1/2" - 23-1/2"	11"	--	--	One front turnbuckle
FM-TBR (182900)	--	--	22-1/2" - 35-1/2"	24"	One rear turnbuckle
TBH-11 (149813)	--	11"	--	--	One front threaded hook
TBH-24 (149814)	--	--	--	24"	One rear threaded hook

# HAPPIJAC® QWIK-LOAD® UPGRADE KIT

- Upgrades standard turnbuckles to Qwik-Load® turnbuckles
- Compatible with any turnbuckles using a 1" threaded rod
- Does not include turnbuckles

Part #	Includes
FM-QL (182894)	Includes four adapters, locking pins and four removable handles



# HAPPIJAC® CAMPER TIE-DOWN STABILIZING BARS

- Compatible with direct-to-frame tie-downs only
- Helps secure your truck camper to your bed
- Includes one stabilizing bar
- HappiJac tie-downs sold separately
- Please verify compatibility before purchase

Part #	Length
SB-080 (205221)	56-7/8"
SB-020 (182928)	57-1/4"
USB-010 (182971)	59-1/4"
SB-200 (182931)	66-3/4"
SB-150 (182930)	69"



SB-080 (205221)



Strong steel construction

# HAPPIJAC® CAMPER ANCHOR TIE-DOWNS

- Includes two anchor plates, spacer kit and hardware
- Please verify compatibility before purchase

Make / Model	Style	Years	Part#
<b>Chevrolet</b>			
Colorado	--	73 - 11	CA-UR 7 (182866)
S10	--	73 - 11	CA-UR 7 (182866)
<b>Ford</b>			
F-150	--	04 - 14	CA-FD4 (182860)
	Under 8,500 lbs. GVW <b>(excluding crew cab)</b>	97 - 03	CA-FD7 (182861)
	Heritage	04 - 04	CA-FD7 (182861)
F-250	Under 8,500 lbs. GVW <b>(excluding crew cab)</b>	97 - 03	CA-FD7 (182861)
Ranger	--	Up to 2013	CA-UR 7 (182866)
<b>GMC</b>			
Canyon	--	73 - 11	CA-UR 7 (182866)
S15	--	73 - 11	CA-UR 7 (182866)
<b>Isuzu</b>			
All models	--	Up to 1988	CA-MT (182864)
	--	89 - 08	CA-UR 7 (182866)
<b>Mazda</b>			
All models	--	Up to 1993	CA-MT (182864)
	--	94 - 08	CA-UR 7 (182866)
<b>Nissan</b>			
All models	--	Up to 1997	CA-MT (182864)
	Only with campers under 1,500 lbs.	98 - 23	CA-UR 7 (182866)
<b>Toyota</b>			
All models	--	Up to 1988	CA-MT (182864)
	Only with campers under 1,500 lbs. <b>(excluding Tundra)</b>	89 - 23	CA-UR 7 (182866)



CA-FD7 (182861)

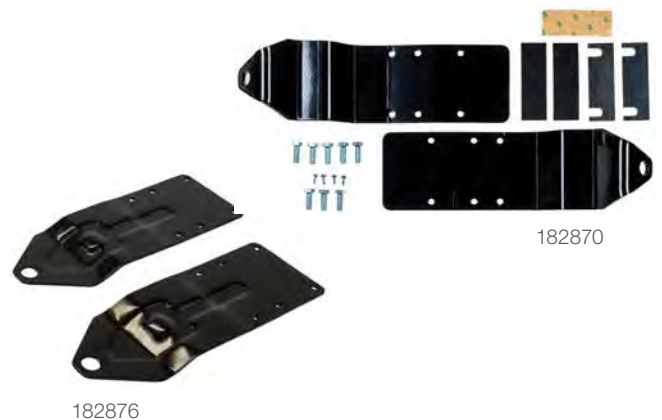


CA-UR (4 ea.) shown

# HAPPIJAC® TIE-DOWN FRONT ANCHOR PLATES

- Replacement tie-down front anchor plates
- Includes two anchor plates

Part #	Includes
FA-UT9 (182876)	Front anchor plate (set of two)
FA-CG9 (182872)	Front anchor plate (set of two)
FA-CG07 (182870)	Front anchor plate (set of two)
FA-CG07S (182871)	Front anchor plate (set of two)



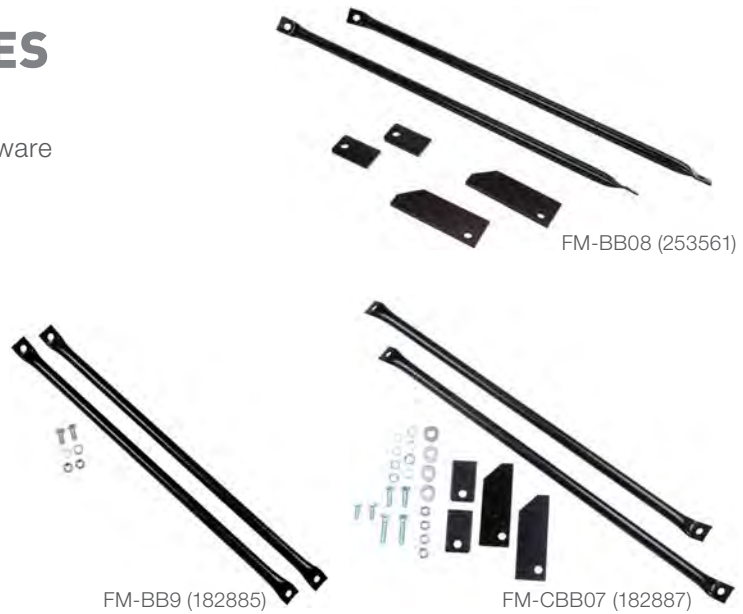




## HAPPIJAC® CAMPER TIE-DOWN BUMPER BRACES

- Helps prevent camper movement
- Includes bumper brace set and installation hardware
- Please verify compatibility before purchase

Make / Model	Years	Part#
<b>Chevrolet</b>		
Silverado	07 - 14	FM-CBB07 (182887)
<b>Ford</b>		
F-250 Super Duty	99 - 07	FM-BB9 (182885)
F-350	99 - 07	FM-BB9 (182885)
	08 - 14	FM-BB08 (253561)
F-350 Super Duty	08 - 14	FM-BB08 (253561)
<b>GMC</b>		
Sierra	07 - 14	FM-CBB07 (182887)



## HAPPIJAC® TIE-DOWN CENTER LOCK GUIDE

- Front centering guide locks
- Includes two rollers and two bumpers

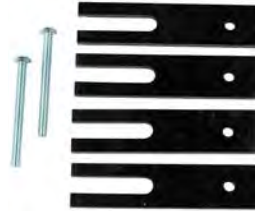
Part #	Includes
FM-FGL9 (182892)	Includes two centering guide lock rollers and two centering guide lock bumpers



## HAPPIJAC® TIE-DOWN BUMPER SPACER KIT

- Centering guide lock spacer kit for 1999-present Ford with taillight / camper interference

Part #	Includes
FK-GBS (182883)	Four spacers and two screws



FK-GBS (182883)

## HAPPIJAC® CAMPER JACK ANCHOR BOLT

- Replacement anchor bolt used in various frame-mount and camper anchor systems

Part #	Includes
CA-AB (182852)	Bolt and installation hardware



CA-AB (182852)

## HAPPIJAC® TIE-DOWN COUPLER

- Replacement chrome coupler for all camper anchor and frame-mount tie-downs

Part #	Includes
CA-TC (182865)	One chrome coupler



CA-TC (182865)

## HAPPIJAC® UNIVERSAL REAR TIE-DOWN

- Removable rear tie down coupler rotates to direction of pull

Part #	Includes
CA-UR (182866)	One universal rear anchor



CA-UR (182866)

## HAPPIJAC® CAMPER REPLACEMENT FIT KITS

Part #	For
FK-CG9 (182878)	Fit kit for FM / FT-CG9 (182906) tie-down
FK-UT9 (182884)	Fit kit for FM / FT-UT9 (182910) tie-down
FK-CG07 (182877)	Fit kit for FT-CG07 (182904) and CG07S (182905) tie-downs



FK-CG9 (182878)



FK-UT9 (182884)



# SOLERA AWNINGS

# FEATURED PRODUCTS



## Slide toppers

Give your slide-out extra protection from debris and water infiltration. These attractive and economical slide-outs operate automatically.



## Universal hardware

Solera hardware makes it easy to replace RV awning parts with exact-match components that fit all three major awning brands.



## Replacement fabric

Choose from universal sizes in multiple colors, cut-to-fit options and more with Solera universal awning and slide topper fabrics.

## PRODUCT INDEX



**67**

Universal Hardware



**70**

1000 Roller Assemblies



**72**

1000XL Roller Assemblies



**74**

1500/3000/3500 Roller Assemblies



**76**

3000XL Roller Assemblies



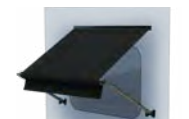
**78**

Awnbrella™ Support Kits



**79**

Fabric LED Light Kits



**80**

RV Window Roller Assemblies



**82**

5000 Series Slide Toppers



**84**

Shades & Rooms



**88**

Universal Vinyl Replacement Fabric



**90**

Replacement Parts



# GO UNIVERSAL WITH SOLERA®

Our premium selection of awnings and awning accessories are rigorously tested and expertly engineered to withstand any adventure. More importantly, we design for a universal fit and application with other major awning brands in the market today, making it simple and easy to power up, upgrade, fix or replace your awning and enhance your time in the great outdoors.



| 1000 series hardware



| 1500 series hardware



| 3000 series hardware



| 3500 series hardware



| 4000 series hardware



| Replacement awning fabric



| Replacement slider fabric



| Family and screen rooms



| Classic and super shades

# UNIVERSAL HARDWARE

## Fits All Major Brands

We design for a universal fit and application with other major awning brands in the market today, making it simple and easy to power up, upgrade, fix or replace your awning and enhance your time in the great outdoors.

### | Solera®

Universal hardware fits the following 8' extension awnings models: 1000, 1500, 3000, 3500 and 4000 Series.



#### Power up

Save the stress and added time of manually setting up your awning and power up with Solera power or battery-operated awnings.

### | Dometic® (A&E)

Universal hardware fits the following 8' extension awning models: 8500, 9000, 9100, Sunchaser and Weather Pro.



#### Upgrade

Upgrade your current awning with Solera universal hardware! We provide awnings that set up automatically as they extend.

### | Carefree™\*\*

Universal hardware fits the following 8' extension awning models: Spirit, Fiesta, Simplicity Traveler and Eclipse.



#### Fix it

Broken or worn out awning? No matter what awning brand you have, it has never been easier to fix it with Solera universal hardware.

## NEW Series Names

New for 2022, we have revised our hardware to fit into the following series names, making it easier and more convenient than ever to find the right replacement parts for your awning. Below is a cross reference from new to old while we make the transition.

NEW	1000	1000XL	1500	3000	3000XL	3500	4000
Former	Classic	Destination	Hybrid	12V power	12V power XL	12V Smart power	18V power

## Awning Hardware Series Comparison

Feature	Series						
	1000	1000XL	1500	3000	3000XL	3500	4000
Power supply	No power	No power	No power	12V power	12V power	12V power	Battery power
Awning projection	8'	9' 8"	8'	8'	9' 8"	8'	8'
Arm length	63" to 68" 68" to 81" 81" to 96"	78"	60-1/2" 69"	60-1/2" 69"	78"	63" 69"	69"
Pitch	Adjustable	Adjustable	Adjustable	Adjustable	Adjustable	Adjustable	Adjustable
Auto rain dump	No	No	Yes	Yes	No	Yes	Yes
Universal to competitor	Yes	No	Yes	Yes	No	Yes	Yes

\*Dometic® is a registered mark and logo owned by Dometic Sweden and A&E is a mark used by Dometic Group.  
\*\*Carefree™ and the Carefree logo are a mark and logo used by Carefree of Colorado, member of The Scott Fetzer Co.

# UNIVERSAL HARDWARE

- Universal design is compatible with Solera®, Dometic® and Carefree® awnings
- 8' projection from your RV
- Easily adjustable pitch for optimal shade
- Available in black or white color options



## 1000 Series

- Spring-assisted design with simple, manual operation
- When placed in carport position, you can easily add any Solera® screen room to your awning for more shade and privacy

## 1500 Series

- Manual, crank operation allows you to easily extend and retract your RV awning
- Auto-dump system will drain pooled water on top of your canopy to help prevent damage

## 3000 Series

- Push-of-a-button, automatic awning operation from inside or outside of your RV
- In case of power failure, simply use a power drill to extend or retract your awning



## 3500 Series

- 12V power controller is built right into the awning arm itself, making for easy and convenient access without having to go inside the RV to operate
- Integrated waterproof controller offers easy, push-button operation to extend and retract your awning
- Initiate the one-touch safety lock button to extend and retract your awning
- Awning lights (sold separately) can be turned on or off outside by simply pressing the lighting button
- Optional wind sensor and infrared security sensor available (sold separately)

## 4000 Series

- With this 18V power awning system, you can quickly and easily adjust your RV awning for adequate shade, no matter what time of day it is
- Waterproof switch offers easy, push-button operation to extend and retract your awning
- You can operate your awning 22 to 25 times before needing to recharge your battery with the included plug-in 110V charging kit
- Does not require internal wiring for installation

## How to measure and select your fabric and hardware

1. To ensure you order the correct size fabric, measure the area you want to mount the awning, making sure the awning will not interfere with windows and doors.
2. Using your measurement, order that size awning roller assembly and choose your desired vinyl color. Use the table below for your hardware to select the desired part number.
3. Measure the distance from the awning rail down the side wall to order the correct arms from the arm guide table below. You will need to have one part number for the awning roll and one part number for the hardware selected for a complete order.

For example, if you need a 15' sand fade WHWG, your part number would be 'V000334388'. Then choose your hardware. If you want battery-powered white arms, your number would be '434730'.

White #	Black#	Power Supply	Projection	Arm Length	Pitch	Auto Rain Dump
<b>1000 Series Kits (formerly Classic Arm)</b>						
434716	434715	No power	8'	63" - 68"	Adjustable	No
434718	434717	No power	8'	68" - 81"	Adjustable	No
434720	434719	No power	8'	81" - 96"	Adjustable	No
<b>1500 Series Kits (formerly Hybrid)</b>						
434726	434725	No power	8'	60-1/2"	Adjustable	Yes
434728	434727	No power	8'	69"	Adjustable	Yes
<b>3000 Series Kits (formerly 12V Power Arm)</b>						
434724	434723	12V power	8'	69"	Adjustable	Yes
<b>3500 Series Kits (formerly 12V Smart Arm)</b>						
759404	759516	12V power	8'	63"	Adjustable	Yes
759405	759517	12V power	8'	69"	Adjustable	Yes
<b>4000 Series Kits (formerly 18V Power Arm)</b>						
434730	434729	Battery power	8'	69"	Adjustable	Yes

## 3000 SERIES INFRARED SECURITY SENSOR KIT

- The security sensor adds a layer of protection for you and your loved ones while you are camping
- If activity is detected, the sensor will automatically turn on your awning lights
- Activates when motion or body heat are detected
- Compatible with 3000 Series awning hardware



Part #	Description
715124	Infrared security sensor kit

## 3000 SERIES WIND SENSOR KIT

- Confidently explore away from your campsite knowing your awning will retract in bad weather
- Programmable sensor allows you to retract your awning at three different wind speeds
- Easily installs in minutes
- Compatible with 3000 Series awning hardware



Part #	Description
715123	Wind sensor kit



# 1000 SERIES RV AWNING ROLLER ASSEMBLIES

- Choose from ground support or cradle support options sold separately
- Includes roller bar and durable, anti-scuff and ant-mildew awning fabric
- Heat-welded, leak-resistant seams and cold-crack tested to withstand harsh temperatures
- Fabric features an integrating LED lighting track to add an LED light kit (#674282, #674283 sold separately)
- End cap tension spring
- Industry exclusive 5-year warranty on fabric



Solid black



Black fade



White fade



Sand fade with black weather guard



Sand fade



Burgundy fade



Blue fade



Silver fade



Green fade

Width	Solid Black BKWG	Black Fade BKWG	White Fade WHWG	Sand Fade BKWG	Sand Fade WHWG	Burgundy Fade WHWG	Blue Fade WHWG	Silver Fade WHWG	Green Fade WHWG
10'	V000343115	V000343034	V000343000	V000343059	V000343048	V000343071	V000343090	V000343101	V000344991
11'	V000343114	V000343033	V000343001	V000343058	V000343047	V000343070	V000343089	V000343100	V000344992
12'	V000343113	V000343032	V000343002	V000343057	V000343046	V000343069	V000343088	V000343099	V000344993
13'	V000343112	V000343031	V000343003	V000343056	V000343045	V000343068	V000343087	V000343098	V000344994
14'	V000343111	V000343030	V000343004	V000343055	V000343044	V000343067	V000343085	V000343097	V000344995
15'	V000343109	V000343029	V000343005	V000343054	V000343043	V000343065	V000343083	V000343096	V000344996
16'	V000343108	V000343027	V000343006	V000343053	V000343042	V000343064	V000343080	V000343095	V000344997
17'	V000343107	V000343026	V000343007	V000343052	V000343038	V000343063	V000343078	V000343094	V000344998
18'	V000343106	V000343025	V000343008	V000343051	V000343037	V000343062	V000343075	V000343093	V000344999
19'	V000343105	V000343024	V000343009	V000343050	V000343036	V000343061	V000343074	V000343092	V000345000
20'	V000343102	V000343023	V000343010	V000343049	V000343035	V000343060	V000343073	V000343091	V000345001
21'	V000343022	V000343015	V000343011	V000343017	V000343016	V000343018	V000343019	V000343020	V000345002

Note: The color of the exposed vinyl in the rolled up position is noted as BKWG meaning black, or WHWG, meaning white



## 1000 SERIES UNIVERSAL HARDWARE

To learn how to measure and order see page 69

- Compatible with Solera®, Dometic® and Carefree® awnings
- See page 68 for more information about each series



434716

434719

362246

362247

289373

289374

White #	Black #	Series	Power Supply	Projection	Arm Length	Pitch	Rain Dump	
434716	434715	1000	No power	8'	63" - 68"	Adjustable	Manual	
434718	434717	1000	No power	8'	68" - 81"	Adjustable	Manual	
434720	434719	1000	No power	8'	81" - 96"	Adjustable	Manual	
362246	362247	1000	Universal awning ground support					
289373	289374	1000	Awning roller cradle support					

# 1000XL SERIES RV AWNING ROLLER ASSEMBLIES

- 9'8" projection offers 20% more shade than standard awnings
- Includes Awmbrella™ fabric tensioning bars, standard shield fabric protector and center ground support bar for added stabilization (hardware sold separately)
- Requires 78" unobstructed area from awning rail straight down
- Awning cradle support (sold separately) required for awnings longer than 21' to add stability when traveling



Solid black



Black fade



White fade



Sand fade with black weather guard



Sand fade



Burgundy fade



Blue fade



Silver fade



Green fade

Width	Solid Black BKWG	Black Fade BKWG	Black Fade WHWG	White Fade BKWG	White Fade WHWG	Sand Fade BKWG	Sand Fade WHWG
16'	V000334847	V000334818	V000334867	V000334843	V000334839	V000334873	V000334870
17'	V000335317	V000335268	V000335279	V000335302	V000335294	V000335338	V000335329
18'	V000335319	V000335270	V000335281	V000335310	V000335296	V000335340	V000335331
19'	V000335322	V000335272	V000335287	V000335324	V000335298	V000335342	V000335332
20'	V000335323	V000335274	V000335289	V000335326	V000335300	V000335345	V000335334
21'	V000335325	V000335276	V000335292	V000335327	V000335301	V000335348	V000335336

Width	Burgundy Fade BKWG	Burgundy Fade WHWG	Blue Fade BKWG	Blue Fade WHWG	Silver Fade BKWG	Silver Fade WHWG	Green Fade BKWG	Green Fade WHWG
16'	V000334859	V000334857	V000334865	V000334861	V000334864	V000334862	V000345009	V000345003
17'	V000335337	V000335370	V000335397	V000335389	V000335350	V000335364	V000345010	V000345004
18'	V000335343	V000335378	V000335401	V000335393	V000335352	V000335368	V000345011	V000345005
19'	V000335347	V000335383	V000335408	V000335396	V000335354	V000335372	V000345012	V000345006
20'	V000335361	V000335386	V000335414	V000335404	V000335356	V000335375	V000345013	V000345007
21'	V000335366	V000335390	V000335423	V000335410	V000335358	V000335380	V000345014	V000345008

Note: The color of the exposed vinyl in the rolled up position is noted as BKWG meaning black, or WHWG, meaning white



## 1000XL SERIES HARDWARE

To learn how to measure and order see page 69

- See page 68 for more information about each series



White #	Black #	Series	Power Supply	Projection	Arm Length	Pitch	Rain Dump
V000334718	V000334719	1000 XL	No power	9' 8"	81" - 96"	Adjustable	Manual
289373	289374	--	Awning roller cradle support				

# 1500 / 3000 / 3500 / 4000 SERIES RV AWNING ROLLER ASSEMBLIES

- Choose from Solera 4000, 3500 or 1500 Series awning hardware options (sold separately)
- Includes roller bar and durable, anti-scuff and ant-mildew awning fabric
- Heat-welded, leak-resistant seams and cold-crack tested to withstand harsh temperatures
- Fabric features an integrating LED lighting track to add an LED light kit (#674282, #674283 sold separately)
- End caps are empty, allowing motor to slide into arm
- Industry exclusive 5-year warranty on fabric



Solid black



Integrated lighting track makes it easy to add the Solera LED light kit to the RV



Black fade



White fade



Sand fade with black weather guard



Sand fade



Burgundy fade



Blue fade



Silver fade



Green fade

Width	Solid Black BKWG	Black Fade BKWG	White Fade WHWG	Sand Fade BKWG	Sand Fade WHWG	Burgundy Fade WHWG	Blue Fade WHWG	Silver Fade WHWG	Green Fade WHWG
10'	V000211447	V000211446	V000211450	V000231492	V000231508	V000286883	V000286908	V000307065	V000344965
11'	V000256341	V000211452	V000213035	V000223158	V000223153	V000286885	V000286909	V000342917	V000344966
12'	V000231439	V000211455	V000211457	V000223159	V000223177	V000286886	V000286910	V000342918	V000344969
13'	V000211460	V000211459	V000211462	V000223160	V000223178	V000286887	V000286911	V000342919	V000344970
14'	V000211468	V000211466	V000211475	V000223161	V000223179	V000286888	V000286912	V000324187	V000344971
15'	V000231442	V000211480	V000211483	V000223162	V000223185	V000286889	V000286914	V000312456	V000344972
16'	V000211487	V000211486	V000211492	V000223163	V000223189	V000286890	V000286915	V000342920	V000344973
17'	V000231446	V000211498	V000211502	V000223165	V000223190	V000286891	V000286916	V000342921	V000344974
18'	V000211506	V000211505	V000211510	V000223170	V000223191	V000286892	V000286920	V000342922	V000344975
19'	V000211513	V000211512	V000211514	V000231497	V000231519	V000286893	V000286921	V000342924	V000344976
20'	V000211518	V000211517	V000211523	V000231498	V000231520	V000286894	V000286922	V000342925	V000344977
21'	V000211532	V000211531	V000254845	V000255587	V000266033	V000286895	V000286924	V000324185	V000344978

Note: The color of the exposed vinyl in the rolled up position is noted as BKWG meaning black, or WHWG, meaning white



## 1500 / 3000 / 3500 / 4000 SERIES UNIVERSAL HARDWARE

To learn how to measure and order see page 69

- Compatible with Solera®, Dometic® and Carefree® awnings
- See page 68 for more information about each series
- See page 69 for 3500 Series wind and security sensor upgrades



1500 Series



3000 Series



3500 Series



4000 Series

White #	Black #	Series	Power Supply	Projection	Arm Length	Pitch	Rain Dump
434730	434729	4000	Battery	8'	69"	Adjustable	Automatic
759404	759516	3500	12V	8'	63"	Adjustable	Automatic
759405	759517	3500	12V	8'	69"	Adjustable	Automatic
434724	434723	3000	12V	8'	69"	Adjustable	Automatic
434728	434727	1500	No power	8'	69"	Adjustable	Automatic

# 3000XL SERIES RV AWNING ROLLER ASSEMBLIES

- 9'8" projection offers 20% more shade than standard awnings
- Includes roller bar and durable, anti-scuff and ant-mildew awning fabric
- Requires 78" unobstructed area from awning rail straight down
- Heat-welded, leak-resistant seams and cold-crack tested to withstand harsh temperatures
- Fabric features an integrating LED lighting track to add an LED light kit (#674282, #674283 sold separately)
- Industry exclusive 5-year warranty on fabric



Solid black



Integrated lighting track makes it easy to add the Solera LED light kit to the RV



Black fade



White fade



Sand fade with black weather guard



Sand fade



Burgundy fade



Blue fade



Silver fade



Green fade

Width	Solid Black BKWG	Black Fade BKWG	White Fade WHWG	Sand Fade BKWG	Sand Fade WHWG	Burgundy Fade WHWG	Blue Fade WHWG	Silver Fade WHWG	Green Fade WHWG
10'	V000334746	V000334742	V000334743	V000334745	V000334744	V000334747	V000334748	V000334749	V000344979
11'	V000334914	V000334909	V000334911	V000334912	V000334913	V000334915	V000334916	V000334917	V000344980
12'	V000334922	V000334918	V000334919	V000334920	V000334921	V000334923	V000334924	V000334925	V000344981
13'	V000334937	V000334926	V000334927	V000334928	V000334934	V000334938	V000334939	V000334940	V000344982
14'	V000334946	V000334941	V000334942	V000334944	V000334945	V000334947	V000334948	V000334949	V000344983
15'	V000334954	V000334950	V000334951	V000334952	V000334953	V000334955	V000334956	V000334957	V000344984
16'	V000334979	V000334959	V000334965	V000334970	V000334976	V000334983	V000334987	V000334992	V000344985
17'	V000335005	V000334961	V000334998	V000334999	V000335001	V000335009	V000335014	V000335020	V000344986
18'	V000335034	V000334963	V000335000	V000335029	V000335031	V000335037	V000335039	V000335041	V000344987
19'	V000335046	V000334966	V000335007	V000335043	V000335044	V000335048	V000335050	V000335052	V000344988
20'	V000335062	V000334969	V000335011	V000335055	V000335059	V000335066	V000335071	V000335074	V000344989
21'	V000335092	V000334972	V000335015	V000335067	V000335089	V000335093	V000335094	V000335095	V000344990

Note: The color of the exposed vinyl in the rolled up position is noted as BKWG meaning black, or WHWG, meaning white



## 3000XL SERIES HARDWARE

To learn how to measure and order see page 69

- See page 68 for more information about each series
- Requires minimum clearance of 4-1/2" between awning rail and top of entry door



White #	Black #	Series	Power Supply	Projection	Arm Length	Pitch	Rain Dump
362241	362243	3000XL	12V	9' 8"	78"	Adjustable	Manual



# AWNBRELLA™ FABRIC SUPPORT KITS

- Prevents awning fabric from sagging
- Helps prevent water from pooling
- Keeps fabric from flapping in the wind
- Adjustable rust-resistant aluminum bows
- Increases clearance over entry door
- Enhances awning appearance
- Available with two or three awning bows



362240



Provides a better angle for water and debris to easily run off of awnings instead of pooling in the center where it can cause damage



The tension from the bows prevents awnings from sagging and improves clearance over the entry door, allowing access with ease



Helps keep both sides of the awning level, delivering an overall improved appearance of the RV or travel trailer patio

Two-Pack #	Three-Pack #	Length	Fits Series	Awning Projection
362240	362239	10'	1000XL and 3000XL awnings	9' 8"
362238	362237	8'	1000, 1500, 3000, 3500, 4000 awnings	8'

# AWNBRELLA™ REPLACEMENT PARTS



386206



346848



386210



386207



386209

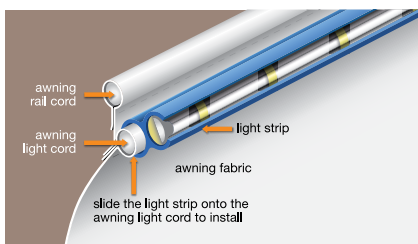
Part #	Description	Dimensions
387444	Awnbrella label	--
386245	Inner bow	30"
386202	Outer bow	57"
386205	Inner pointed tip bow	30"
386206	Hanger block	--

Part #	Description	Dimensions
346848	Knob	1/4"-20 x 3/4" stud
386210	Screw	#8 - 18 X 1 1/4
386207	Rubber tip	--
386208	Velcro hook (black)	1-1/4" x 4"
386209	Velcro loop (white)	2" x 4"

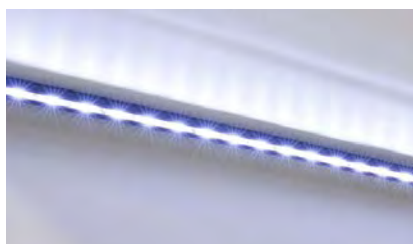


## FABRIC LIGHT KITS

- LED light kit for Solera® awnings
- Cut-to-fit your awning length
- Flexible black plastic light strip with white LED lights
- Easily installs onto integrated light cord included on all Solera® universal awning fabric
- Visible when extended or retracted
- Includes one black, flexible plastic LED lighting strip with white lights, one switch, one plate and all necessary mounting hardware



This kit is easy to install. Simply slide the strip into the integrated lighting cord included on your Solera universal awning fabric



This cut-to-fit kit easily installs on your Solera awning to enhance your RV's outdoor patio space for nighttime gatherings

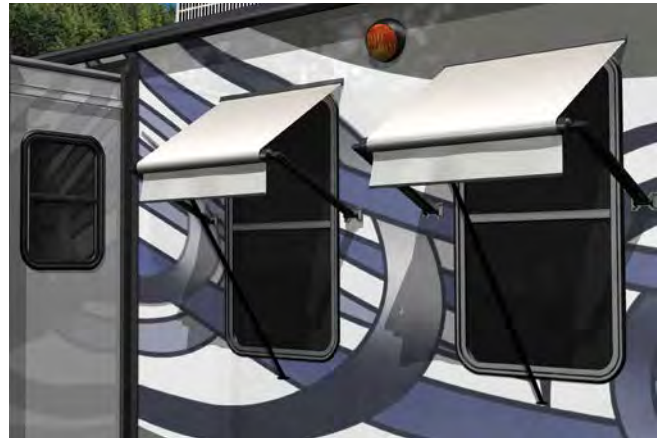


Your lights are then visible when your awning is extended or retracted. All you have to do is flip a switch to turn them on or off

Part #	Light Color	Length	Fits
674282	White	15'	10' to 15' awnings
674283	White	21'	16' to 21' awnings

# RV WINDOW AWNING ROLLER ASSEMBLIES

- Blocks the sun's rays from entering your RV, keeping heat out
- For windows that are under 33" in height
- Easy operation, simply hook-and-pull
- 18" projection
- Multiple color options available
- Awning arm hardware sold separately
- Industry exclusive 5-year warranty on fabric



## How to measure and select your window awnings

1. To ensure you order the correct size fabric, measure the outside frame to outside frame of the window you desire to cover.
2. Round up to the next size. For example, a 50" window uses a 54" window awning base on the chart provided.
3. Measure the height of the window. If the window measures 32" or greater, use the XL model arms. You will need to have one part number for the window awning roll and one part number for the hardware selected for a complete order.

Width	Solid Black BKSOLID	Black Fade BKWVG	White Fade WHWG	Sand Fade BKWVG	Sand Fade WHWG	Burgu. Fade WHWG	Blue Fade WHWG	Silver Fade WHWG	Green Fade WHWG
36"	V000334804	V000334776	V000334778	V000334824	V000334779	V000334800	V000334802	V000334806	V000345015
42"	V000335426	V000334962	V000335002	V000335040	V000335087	V000335153	V000335351	V000335469	V000345016
48"	V000335427	V000334964	V000335004	V000335056	V000335088	V000335154	V000335355	V000335472	V000345019
54"	V000335428	V000334967	V000335006	V000335057	V000335090	V000335155	V000335359	V000335474	V000345020
60"	V000335429	V000334968	V000335008	V000335058	V000335091	V000335156	V000335362	V000335475	V000345021
66"	V000335430	V000334971	V000335010	V000335060	V000335105	V000335158	V000335367	V000335476	V000345022
72"	V000335432	V000334973	V000335012	V000335061	V000335106	V000335159	V000335371	V000335477	V000345023
78"	V000335434	V000334974	V000335013	V000335063	V000335107	V000335160	V000335377	V000335478	V000345024
84"	V000335436	V000334975	V000335016	V000335064	V000335108	V000335162	V000335381	V000335480	V000345025
90"	V000335438	V000334977	V000335017	V000335065	V000335109	V000335164	V000335384	V000335481	V000345026
96"	V000335440	V000334978	V000335019	V000335068	V000335110	V000335165	V000335388	V000335482	V000345027
102"	V000335445	V000334980	V000335021	V000335069	V000335116	V000335167	V000335392	V000335483	V000345028
108"	V000335447	V000334981	V000335022	V000335070	V000335117	V000335169	V000335394	V000335484	V000345029
114"	V000335448	V000334982	V000335023	V000335072	V000335119	V000335171	V000335398	V000335485	V000345030
120"	V000335450	V000334984	V000335024	V000335073	V000335121	V000335172	V000335400	V000335486	V000345031
126"	V000335453	V000334985	V000335025	V000335075	V000335123	V000335173	V000335403	V000335487	V000345032
132"	V000335454	V000334986	V000335026	V000335078	V000335124	V000335175	V000335405	V000335488	V000345033
138"	V000335456	V000334989	V000335027	V000335079	V000335125	V000335177	V000335407	V000335489	V000345034
144"	V000335458	V000334990	V000335028	V000335080	V000335126	V000335179	V000335411	V000335490	V000345035
150"	V000335460	V000334991	V000335030	V000335081	V000335128	V000335181	V000335413	V000335491	V000345062
156"	V000335462	V000334993	V000335032	V000335082	V000335130	V000335183	V000335416	V000335492	V000345063
162"	V000335463	V000334994	V000335033	V000335083	V000335131	V000335184	V000335418	V000335493	V000345064
168"	V000335466	V000334995	V000335035	V000335084	V000335132	V000335186	V000335420	V000335494	V000345065
174"	V000335467	V000334996	V000335036	V000335085	V000335133	V000335188	V000335422	V000335495	V000345066
180"	V000335468	V000334997	V000335038	V000335086	V000335135	V000335189	V000335424	V000335496	V000345067

# XL RV WINDOW AWNING ROLLER ASSEMBLIES

- Blocks the sun's rays from entering your RV, keeping heat out
- For windows that are over 33" in height
- Easy operation, simply hook-and-pull
- 30" projection
- Multiple color options available
- Awning arm hardware sold separately
- Industry exclusive 5-year warranty on fabric



Width	Solid Black BKSOLID	Black Fade BKWG	White Fade WHWG	Sand Fade BKWG	Sand Fade WHWG	Burgu. Fade WHWG	Blue Fade WHWG	Silver Fade WHWG	Green Fade WHWG
36"	V000334814	000365986	000334808	000334825	000334811	000334812	000334813	V000334807	V000345068
42"	V000335199	000335138	000335253	000335357	000335255	000335111	000335150	V000335176	V000345069
48"	V000335200	000369586	000335263	000335360	000335256	000335112	000335151	V000335228	V000345070
54"	V000335201	000396769	000335306	000335363	000335257	000335113	000335152	V000335229	V000345071
60"	V000335202	000369589	000335308	000335365	000335258	000335114	000335157	V000335230	V000345072
66"	V000335203	000396770	000335309	000335369	000335259	000335115	000335161	V000335231	V000345073
72"	V000335204	000394546	000335311	000335373	000335260	000335118	000335163	V000335234	V000345074
78"	V000335209	000396771	000335312	000335374	000335261	000335120	000335166	V000335235	V000345075
84"	V000335210	000369592	000335313	000335376	000335431	000335122	000335168	V000335236	V000345076
90"	V000335211	000396772	000335314	000335379	000335433	000335127	000335170	V000335237	V000345077
96"	V000335212	000369595	000335315	000335382	000335435	000335129	000335174	V000335238	V000345078
102"	V000335213	000396773	000335316	000335385	000335437	000335134	000335178	V000335239	V000345079
108"	V000335214	000369598	000335318	000335387	000335439	000335136	000335180	V000335240	V000345080
114"	V000335215	000396774	000335320	000335391	000335441	000335137	000335182	V000335241	V000345081
120"	V000335216	000369601	000335321	000335395	000335442	000335139	000335185	V000335242	V000345082
126"	V000335217	000396775	000335328	000335399	000335444	000335140	000335187	V000335243	V000345083
132"	V000335218	000369604	000335330	000335402	000335446	000335141	000335190	V000335244	V000345084
138"	V000335219	000393975	000335333	000335406	000335449	000335142	000335191	V000335245	V000345085
144"	V000335220	000369607	000335335	000335409	000335452	000335143	000335192	V000335246	V000345086
150"	V000335222	000396776	000335339	000335412	000335455	000335144	000335193	V000335247	V000345087
156"	V000335223	000369610	000335341	000335415	000335457	000335145	000335194	V000335248	V000345088
162"	V000335224	000396777	000335344	000335417	000335459	000335146	000335195	V000335249	V000345089
168"	V000335225	000394547	000335346	000335419	000335461	000335147	000335196	V000335250	V000345090
174"	V000335226	000396778	000335349	000335421	000335464	000335148	000335197	V000335251	V000345091
180"	V000335227	000394548	000335353	000335425	000335465	000335149	000335198	V000335252	V000345092

# RV WINDOW AWNING ROLLER HARDWARE

- For use with Solera standard and XL RV window awning roller assemblies
- Arms extend with a simple pull of the strap
- Two color options available for easy customization
- Includes mounting hardware



White #	Black #	Use With	Length
V000334754	V000334750	Standard assemblies	18"
V000334759	V000334764	XL assemblies	30"

# 5000 SERIES SLIDE TOPPER AWNING

- Heavy-duty, durable slide-out protection from dirt, debris and water infiltration
- Provides full coverage over the slide-out roof and the RV sidewall slide-out opening
- Prevents water from pooling on top to avoid damaged seals and mold formation
- Choose from white or black vinyl fabric colors
- Compatible with most slide-outs on the market
- Fits slides ranging from 66" to 192" long and extending up to 48"
- Permanently attaches to the room, extending and retracting with the slide-out



**NEW LOOK!** Enclosed head, flat-oval-shaped bar and bracket cover for a cleaner look



Heavy-duty, durable slide-out protection from dirt, debris and water infiltration



Made from cold-crack-tested 13.5 oz. vinyl with leak-proof, welded seams

## How to measure your slide topper



Measure between the outside edges of both slide-out flanges and order the awning size that allows for total fabric coverage over the slide-out box.

**Note: The fabric will always be 5" shorter than the awning size.**

Black Part #	White Part #	Width	Flange
V000168104	V000163273	61"	57" - 61"
V000231482	V000163274	67"	62" - 67"
V000165063	V000163279	73"	68" - 73"
V000168105	V000163285	79"	74" - 79"
V000165062	V000163287	85"	80" - 85"
V000168106	V000163288	91"	86" - 91"
V000168107	V000163289	97"	92" - 97"
V000168108	V000163290	103"	98" - 103"
V000168325	V000163291	109"	104" - 109"
V000251461	V000163292	115"	110" - 115"
V000182037	V000163293	121"	116" - 121"

Black Part #	White Part #	Width	Flange
V000168326	V000163294	127"	122" - 127"
V000184673	V000163295	133"	128" - 133"
V000168328	V000139496	139"	134" - 139"
V000177334	V000163298	145"	140" - 145"
V000165061	V000163299	151"	146" - 151"
V000168109	V000163300	157"	152" - 157"
V000168110	V000163301	163"	158" - 163"
V000168112	V000163302	169"	164" - 169"
V000251477	V000163303	175"	170" - 175"
V000251478	V000163304	181"	176" - 181"
V000194925	V000163307	187"	182" - 187"



## Is your slide topper prepped?

- Compatible only with Solera® slide toppers
- Preinstalled brackets allow for quick and easy slide topper installation
- Access brackets allow for adjustable slide topper heights
- Designed to fit rooms from 56" to 188" in length
- Kits include access brackets, access plates and hardware
- Patent pending



795355



795354

White #	Black #	Description
795355	795354	Slide topper access kit

## SLIDE TOPPER REPLACEMENT FABRICS

- Compatible with Solera®, Dometic® and Carefree® slide toppers and slide-out rooms
- Fabricated with heavy-duty, 13-1/2 ounce vinyl, heat-welded seams and tested to withstand the rigors of the outdoors
- Comes in a 50' roll allowing you to cut your fabric to the exact size you need for your RV
- Plastic reels inside the box add strength and hold the fabric in place for easy roll out



432252



432253

White #	Black #	Width	Length
432252	432253	48"	50'



## CLASSIC SHADES

- Provides shade, privacy and protection to your RV's patio area
- Easily attaches to the RV's awning tube for quick setup
- Combine front and side shades for maximum coverage (sold separately)
- Front shades come with a 6' screen drop
- Side shades fit awnings with an 8' projection
- Includes stakes, tie outs and storage bag (side shades also include brackets and pull rod)



Part #	Width	Drop	Color	Material
<b>Front Panels</b>				
3833980608	8'	6'	Black	Mesh fabric
3833980610	10'	6'	Black	Mesh fabric
3833980613	13'	6'	Black	Mesh fabric
3833980615	15'	6'	Black	Mesh fabric
3833980617	17'	6'	Black	Mesh fabric
3833980619	19'	6'	Black	Mesh fabric
<b>Side Panels</b>				
37978606	8'	6'	Black	Mesh fabric
37978607	8'	7'	Black	Mesh fabric
37978608	8'	8'	Black	Mesh fabric
37978609	8'	9'	Black	Mesh fabric
37978610	8'	10'	Black	Mesh fabric





## SUPER SHADE®

- Two-piece front panel easily slides into the awning tube for quick installation
- Provides shade, privacy and protection to your RV patio area
- Includes stakes, tie outs and storage bag
- Combine with a Solera Side Shade for maximum coverage (sold separately)



### How to measure and select your shade size

Awning fabric width = 10' and drop distance (roll tube to ground) = 8', order part #379820810 from the table below.

**Note: Do not order your shade based on center-of-arm to center-of-arm. It will be too long.**

Width	6' Drop	7' Drop	8' Drop	9' Drop	10' Drop	Color	Material
10'	3797820610	3797820710	3797820810	3797820910	3797821010	Black	Mesh fabric
13'	3797820613	3797820713	3797820813	3797820913	3797821013	Black	Mesh fabric
15'	3797820615	3797820715	3797820815	3797820915	3797821015	Black	Mesh fabric
17'	3797820617	3797820717	3797820817	3797820917	3797821017	Black	Mesh fabric
19'	3797820619	3797820719	3797820819	3797820919	3797821019	Black	Mesh fabric





## FAMILY ROOM®

- Compatible with 8' extension Solera®, Dometic®, and Carefree™ awnings only
- Provides complete privacy and shade with a totally enclosed space
- Fits most 10'-21' manual and power RV awnings
- Accommodates RVs with awning rail-to-ground measurement up to 130"
- Made with cool, gray polyester fabric and black mesh fabric
- Turns your RV awning into an enclosed screen room
- Includes polyester, weatherproof panels, privacy panels, storage bag and mounting and installation hardware



### How to measure and select your room size

1. To ensure you order the correct size family room, measure center-to-center on the arm of the patio awning. Order that size.

For example, if your awning measures 15' your part number would be '362230', a 15' room.

**Note: Do not order your room based on the actual width of your awning fabric. It will be too short.**

Drop	Width											
	10'	11'	12'	13'	14'	15'	16'	17'	18'	19'	20'	21'
Up to 10' 10"	362225	362226	362227	362228	362229	362230	362231	362232	362233	362234	362235	362236



## SCREEN ROOMS

- Compatible with 8' extension Solera®, Dometic®, and Carefree™ awnings only
- Provides shade, privacy and protection to your RV patio area
- Fits most 10'-21' manual and power RV awnings
- Accommodates RVs with awning rail-to-ground measurement up to 130"
- Made from neutral khaki mesh materials
- Turns your RV awning into an enclosed screen room
- Includes three mesh screen panels, mounting hardware and one storage bag



### How to measure and select your room size

1. To ensure you order the correct size family room, measure center-to-center on the arm of the patio awning. Order that size.

For example, if your awning measures 10' your part number would be '362213', a 10' room.

**Note: Do not order your room based on the actual width of your awning fabric. It will be too short.**

Drop	Width											
	10'	11'	12'	13'	14'	15'	16'	17'	18'	19'	20'	21'
Up to 10' 10"	362213	362214	362215	362216	362217	362218	362219	362220	362221	362222	362223	362224

# UNIVERSAL VINYL REPLACEMENT FABRIC

## The Solera Difference



Universal fit with all three major brands



Industry exclusive 5-year warranty



Heat-welded seams & cold-crack tested



Heavy-duty 13-1/2 ounce vinyl



Integrated LED light track in awning fabric



Match your RV with nine available colors



Same day shipping\* (order by 1pm EST)



Free shipping in continental US

## Color Options



Solid black



Black fade



White fade



Sand fade with black weather guard



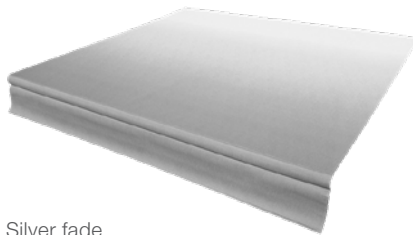
Sand fade



Burgundy fade



Blue fade



Silver fade



Green fade

# How to measure and select your fabric

1. To ensure you order the correct size fabric, measure center-to-center on the arm of the patio awning.
2. Choose your desired fabric color.
3. Using your measurement from step 1 and your color from step 2, locate the corresponding part number in the table below.

For example, if you need a 15' sand fade WHWG your part number would be 'V000334388'.



**Note: Do not order fabric based on the actual width of your awning fabric. It will be too short.**

Width	Solid Black BKWG	Black Fade BKWG	White Fade WHWG	Sand Fade BKWG	Sand Fade WHWG	Burgundy Fade WHWG	Blue Fade WHWG	Silver Fade WHWG	Green Fade WHWG
<b>Comes In Retail Box</b>									
10'	V000334338	V000334336	V000334335	V000334337	V000334346	V000334339	V000334340	V000334345	V000345093
11'	V000334347	V000334341	V000334342	V000334343	V000334344	V000334348	V000334351	V000334353	V000345094
12'	V000334359	V000334355	V000334356	V000334357	V000334358	V000334360	V000334361	V000334363	V000345095
13'	V000334368	V000334364	V000334365	V000334366	V000334367	V000334369	V000334370	V000334372	V000345096
14'	V000334377	V000334373	V000334374	V000334375	V000334376	V000334378	V000334379	V000334382	V000345097
15'	V000334389	V000334383	V000334385	V000334387	V000334388	V000334390	V000334391	V000334393	V000345098
16'	V000334400	V000334394	V000334397	V000334398	V000334399	V000334401	V000334402	V000334404	V000345099
17'	V000334409	V000334405	V000334406	V000334407	V000334408	V000334410	V000334411	V000334413	V000345101
18'	V000334419	V000334415	V000334416	V000334417	V000334418	V000334420	V000334421	V000334423	V000345102
19'	V000334430	V000334424	V000334426	V000334428	V000334429	V000334431	V000334432	V000334434	V000345103
20'	V000334439	V000334435	V000334436	V000334437	V000334437	V000334440	V000334441	V000334443	V000345104
21'	V000334448	V000334444	V000334445	V000334446	V000334446	V000334449	V000334450	V000334452	V000345105
<b>Comes In Shipping Tube</b>									
10'	V000717765	V000717739	V000717744	V000717763	V000717764	V000717766	V000717767	V000717768	V000717769
11'	V000717774	V000717770	V000717771	V000717772	V000717773	V000717775	V000717776	V000717777	V000717778
12'	V000717783	V000717779	V000717780	V000717781	V000717782	V000717784	V000717785	V000717786	V000717787
13'	V000717792	V000717788	V000717789	V000717790	V000717791	V000717793	V000717794	V000717795	V000717796
14'	V000717801	V000717797	V000717798	V000717799	V000717800	V000717802	V000717803	V000717804	V000717805
15'	V000717810	V000717806	V000717807	V000717808	V000717809	V000717811	V000717812	V000717813	V000717814
16'	V000717819	V000717815	V000717816	V000717817	V000717818	V000717820	V000717821	V000717822	V000717823
17'	V000717828	V000717824	V000717825	V000717826	V000717827	V000717829	V000717830	V000717831	V000717832
18'	V000717837	V000717833	V000717834	V000717835	V000717836	V000717838	V000717839	V000717840	V000717841
19'	V000717846	V000717842	V000717843	V000717844	V000717845	V000717847	V000717848	V000717849	V000717850
20'	V000717855	V000717851	V000717852	V000717853	V000717854	V000717856	V000717857	V000717858	V000717859
21'	V000717864	V000717860	V000717861	V000717862	V000717863	V000717865	V000717866	V000717867	V000717868

Note: The color of the exposed vinyl in the rolled up position is noted as BKWG meaning black, or WHWG, meaning white

When talking about awning fabric, colors are spoken from the coach extending outward. The below key explains the colors in full.

Black Fade BKWG = Black Fade to White  
 White Fade WHWG = White Fade to Black  
 Sand Fade BKWG = Black Guard White Fade to Sand  
 Sand Fade WHWG = White Fade to Sand  
 Solid Black BKWG = Solid Black

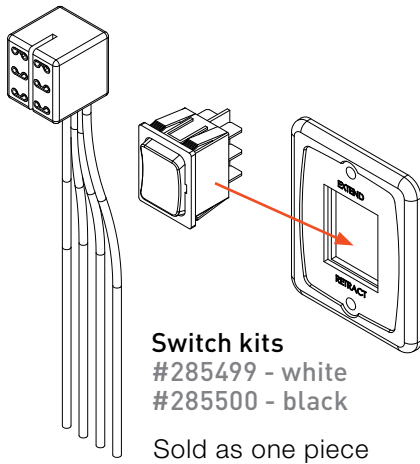
Burgundy Fade WHWG = White Fade to Burgundy  
 Blue Fade WHWG = White Fade to Blue  
 Silver Fade WHWG = White Fade to Silver  
 Green Fade WHWG = White Fade to Green

# AWNING HARDWARE REPLACEMENT PARTS

## Ordering replacement arms

There are three types of Solera replacement arms. These arms are universal to both power and manual awnings. Simply measure the length of the wall-mount extrusion from top to bottom.

- Short style arms measure 60-1/2"
- Pitched style arms measure 66-1/8"
- Flat style arms measure 69"



**Switch kits**  
#285499 - white  
#285500 - black

Sold as one piece

**Manual assembly**  
#266147 - white  
#273479 - black

**Front cover**  
#289563 - white  
#289566 - black

**Back cover**  
#289564 - white  
#289567 - black

**Drive head assembly**  
#266146 - white  
#273478 - black

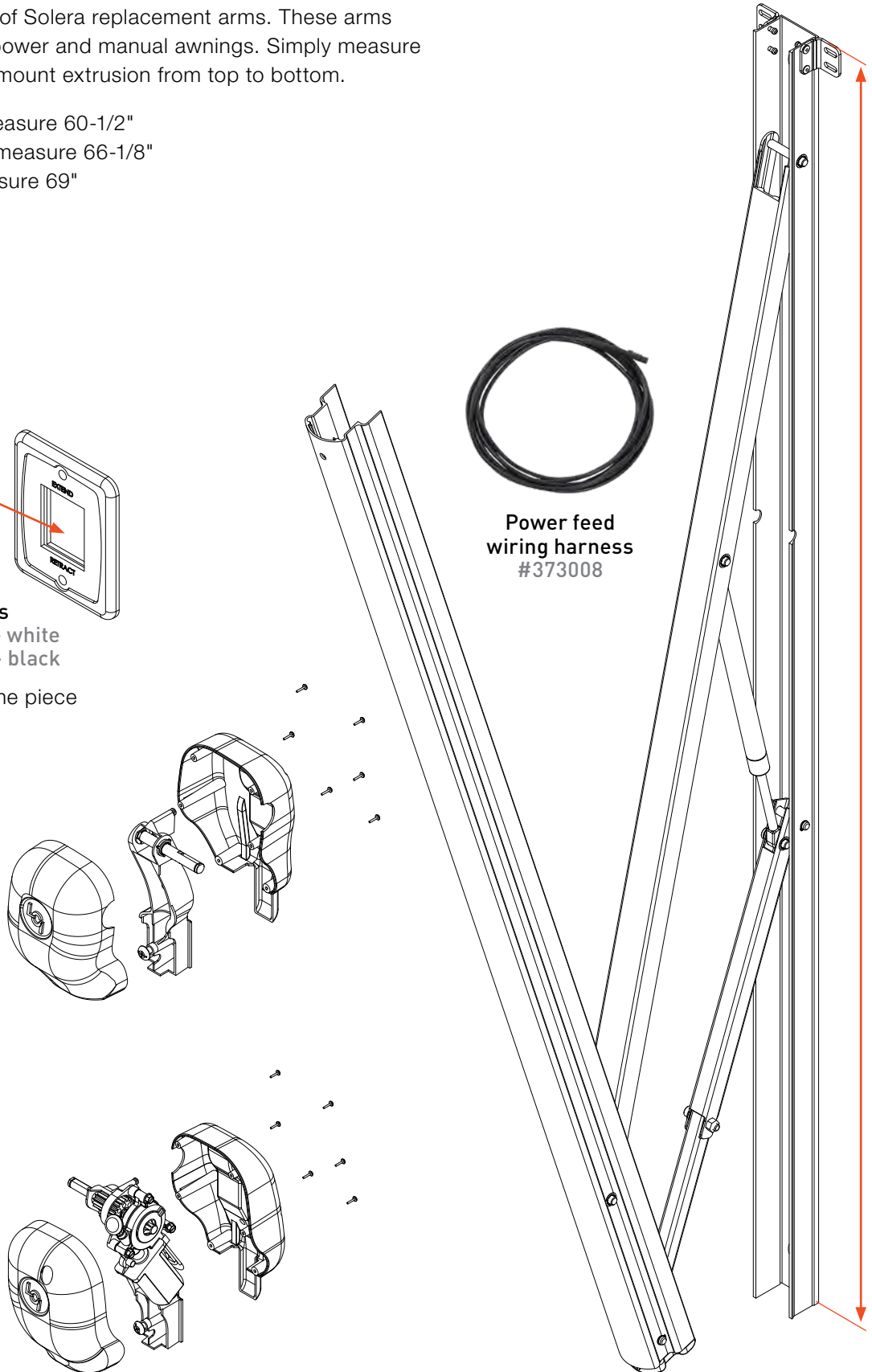
**Front cover**  
#289557 - white  
#289560 - black

**Motor**  
#373566 - two-way  
#226149 - one-way

**Back cover**  
#289558 - white  
#289561 - black



**Power feed  
wiring harness**  
#373008



# DRIVE AND IDLER ASSEMBLY & COVER REPLACEMENT PARTS

- For both power and manual awnings
- Note: These parts are not universal and are for Solera® awnings only



643922



643919



643921



643918



731464



643918



289560



289557



289561



289558



289566



289563

Black #	White #	Description
672050	672049	Regal drive head assembly
643922	643919	Regal drive head front cover
643921	643918	Regal drive head back cover
643923	643920	Regal idler head front cover
672052	672051	Regal idler head assembly
731464	732545	Regal idler speaker front cover with speaker and grill
731463	732544	Regal motor speaker front cover with speaker and grill
711751	711749	Regal power awning speaker drive head assembly
711762	711750	Regal power awning speaker idler head assembly
289560	289557	Plain drive head front cover
289561	289558	Plain drive head back cover
289566	289563	Plain idler head front cover
289567	289564	Plain idler head back cover



289567



289564

# REPLACEMENT AWNING SUPPORT ARM ASSEMBLIES

- For both power and manual awnings
- Includes gas strut for added stability and easy operation
- Friction joint makes it easy to drain off any accumulated rainwater
- Note: These parts are not universal and are for Solera® awnings only

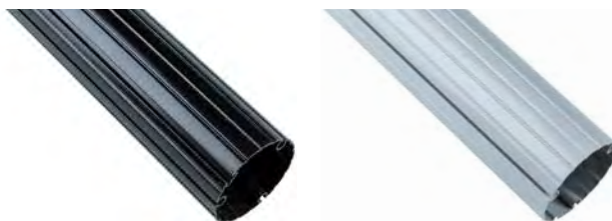


Black #	White #	Description
295743	295742	61-1/2" short assembly
266169	260294	66-1/8" pitched assembly
281154	281152	69" standard flat assembly

## REPLACEMENT AWNING ROLLBARS

- For both power and manual awnings
- Replacement awning rollbar for use with a light bar
- Made of lightweight aluminum
- Note: These parts are not universal and are for Solera® awnings only

Black #	Dove Grey #	Fits
406511	406513	12' awning
422429	422430	15' awning
422432	422433	16' awning
422435	422436	18' awning
422438	422439	21' awning



## REPLACEMENT AWNING GAS STRUTS

- For both power and manual awnings
- Adds stability and allows awning to extend and retract with ease
- Note: These parts are not universal and are for Solera® awnings only

Part #	Force	Extended	Retracted	Fits Arms
280343	124 lbs.	26.46"	15.04"	Short or flat
260282	124 lbs.	24.38"	14.70"	Pitched



280343

## REPLACEMENT DIAPHRAGM GROMMETS

- For both power and manual awnings
- Protects the Solera crank style gear box
- Note: These parts are not universal and are for Solera® awnings only

Part #	Dimensions	Fits Holes
299993	1-5/8" ID x 1-7/8 OD	Manual crank
275071	3/4" ID x 1" OD	Manual override



299993



275071

# POWER AWNING REPLACEMENT PARTS

- Replacements for power awnings only
- Note: These parts are not universal and are for Solera® awnings only



Black #	White #	Description
266149	--	Replacement motor, one-way connection
373566	--	Replacement motor, two-way connection
285077	285079	Power awning bezel spacer
285500	285499	Power awning switch kit
280570	--	16-gauge power awning harness
353964	--	Power awning drive head gear kit
273478	266146	Plain drive head assembly
273479	266147	Plain idler head assembly
342149	342147	Speaker drive head assembly
342150	342148	Speaker idler head assembly

Black #	White #	Description
354185	354181	Speaker drive head front cover
354189	354186	Speaker idler head front cover
300009	300005	Speaker drive head back cover
300011	300007	Speaker idler head back cover
329251	329250	Manual pull style to power awning conversion kit
337727	337728	Manual crank style to power awning conversion kit





## MANUAL AWNING REPLACEMENT PARTS

- Replacements for manual awnings only
- Note: These parts are not universal and are for Solera® awnings only



271181



285147

Black #	White #	Description
292794	--	Manual awning pull strap replacement
--	300030	Manual crank style awning hook and crank rod
--	344391	Pull rod for manual awning (58" x 188")
300031	300029	Manual crank style awning drive head assembly
351832	351831	Manual crank style awning drive head front cover
337728	337727	Manual crank style to power awning conversion kit
272067	271181	Manual pull style awning drive head assembly
285147	272397	Manual pull style awning idler head assembly
329251	329250	Manual pull style to power awning conversion kit
273479	266147	Manual crank style awning idler head assembly
333411	333410	Pull style manual to crank style manual upgrade kit



## 1000 SERIES AWNING REPLACEMENT PARTS

- Replacements for 1000 Series awnings only
- Note: These parts are not universal and are for Solera® awnings only

Black #	White #	Description
362201	362111	Handle
3620962	3620961	Upper bracket
3620892	3620891	Bottom bracket
3621022	3621021	Carpport foot
362101	--	Travel lock



362201



362111



362101

## REPLACEMENT AWNING J-RAILS

- Lightweight aluminum construction can be cut-to-size
- Work with any brand awning
- Rails should be approximately the same length as the awning rollbar or fabric
- Includes five J-rails per package



716823



716822



716824

Black #	White #	Mill #	Length
716823	716822	716824	8'



# STEPS, DOORS & ACCESSORIES

# FEATURED PRODUCTS



## Solid step® RV entry step

Solid Step® easily stores in your entryway and is packed with safety and stability features for campers of all ages and abilities.



## Solid stance™ step stabilizer

Sold Stance® adds stability and peace of mind to your manual steps by providing ground support you can trust, trip after trip.



## Screen assist™

Meet the RV screen door push bar that helps you get out of your RV with ease and convenience while protecting your rig's screen door.

## PRODUCT INDEX



**98**  
RV Entry  
Doors



**101**  
Friction  
Hinge



**102**  
Screen  
Assist™



**103**  
Screen  
Defender™



**103**  
Screen  
Shot®



**104**  
Thin Shade™  
Complete



**105**  
Keyless RV  
Door Lock with  
Bluetooth



**106**  
Door  
Replacement  
Parts



**109**  
SolidStep® RV  
Entry Door Step



**112**  
Manual Steps &  
Solid Stance®



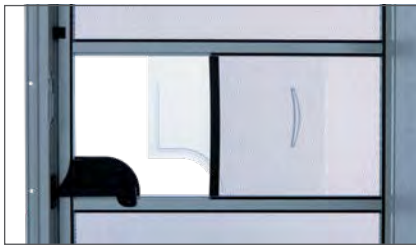
**114**  
Tread Lite®  
RV Power Steps



**115**  
Kwiikee® Steps  
& Accessories

# RADIUS RV ENTRY DOORS

- Polar white, right-hinge RV entry door with screen door
- Screen door includes oversized push-down latch
- Window frame with obscure, UV-stable glass
- Includes integrated felt seal and built-in camber
- 1/8" aluminum extrusion frame
- 1" screen door thickness
- 9-1/2" hinge



Includes an oversized pull-down latch that lets you open your screen door even when the door panel is closed



The integrated felt seal helps prevent water from infiltrating your trailer

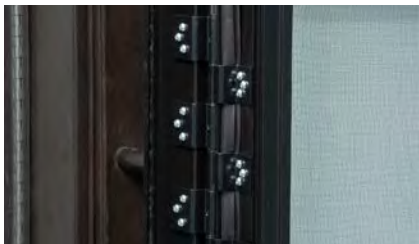


Part #	Width	Height	Orientation	Window Frame Color	Drip cap and threshold included
V000042326	24"	68"	Right hand	White	Yes
V000381477	24"	70"	Right hand	Black	No
V000051931	24"	72"	Right hand	White	Yes
V000381467	24"	72"	Right hand	White	No
V000381478	24"	72"	Right hand	Black	No
V000381468	26"	68"	Right hand	White	No
V000381469	26"	70"	Right hand	White	No
V000040259	26"	72"	Right hand	White	Yes
V000381470	26"	72"	Right hand	White	No
V000381479	26"	72"	Right hand	Black	No
V000381471	26"	78"	Right hand	White	No
V000040165	28"	72"	Right hand	White	Yes
V000381472	28"	72"	Right hand	White	No
V000228493	30"	74"	Right hand	White	Yes
V000384493	30"	72"	Right hand	White	No
V000381473	32"	72"	Right hand	White	No



## UPGRADED RADIUS RV ENTRY DOORS

- Polar white upgraded right hinge RV entry door with screen door
- Screen door includes oversized push-down latch
- Larger window frame with obscure, UV-stable glass
- Includes friction hinge system
- Lighted threshold
- 1" screen door thickness



Pre-installed Friction Hinge holds entry door in the exact position you need it



Pre-wired, lighted threshold that activates upon opening of door



Part #	Width	Height	Orientation
V000431024	24"	68"	Right hand
V000431026	24"	72"	Right hand
V000431028	26"	72"	Right hand
V000431029	28"	72"	Right hand
V000431030	30"	74"	Right hand

# SQUARE RV ENTRY DOORS

- Right hinge RV entry door with screen door
- Various sizes available
- Polar white with white window frame and hardware or off-white with black window frame and hardware
- Off-white door has a mill finish aluminum extrusion frame
- White door has a white finish aluminum extrusion frame
- Includes integrated felt seal and built-in camber
- UV-stable window with obscure glass
- Includes screen door with oversized pull-down latch



Includes an oversized pull-down latch that lets you open your screen door even when the door panel is closed



Comes in various sizing and color options, as well as radius or square configurations



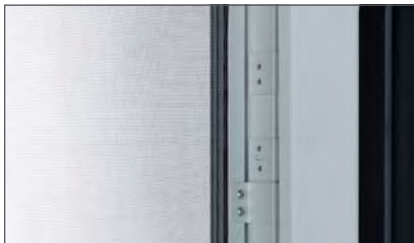
Off-White #	Polar White #	Width	Height	Orientation
V000350931	V000042629	24"	68"	Right hand
--	V000042628	24"	70"	Right hand
--	--	24"	72"	Right hand
V000350934	V000042625	24"	76"	Right hand
V000350943	--	26"	68"	Right hand
V000350944	--	26"	70"	Right hand
V000350945	--	26"	72"	Right hand
V000350948	--	26"	78"	Right hand
--	V000213919	28"	68"	Right hand
V000350955	--	28"	72"	Right hand
V000350951	V000149585	30"	72"	Right hand
V000350957	--	32"	72"	Right hand
--	V000156500	36"	72"	Right hand

# RADIUS MOTORHOME ENTRY DOORS

- Polar white right-hinge motorized entry door with screen door for motor homes
- Various sizes available
- Screen door includes oversized push-down latch
- Black window frame with obscure, UV-stable glass
- Completely certified FMVSS 206
- Interior super-substructure adds extra strength and stability
- Black tri-mark dead bolt
- Black aluminum extrusion frame



Includes an oversized pull-down latch that lets you open your screen door even when the door panel is closed



The integrated felt seal helps prevent water from infiltrating your trailer



Part #	Width	Height	Orientation
V000145033	24"	70"	Right hand
V000145032	24"	72"	Right hand
V000145349	26"	72"	Right hand

# FRICTION HINGES

- No need to remove door or existing hinges for installation
- Compatible with all Lippert entry doors and Challenger Door Series 450, 805, 950, 975 and 3000
- Keeps RV entry door in exact position in wind gusts up to 25 mph
- No need for door catches or gas strut installation
- Helps protect your RV entry door and sidewalls
- No additional hardware required



2020109835



2020102629



Easy installation provides added strength and durability to existing hinge

Part #	Color
2020109835	White
2020102629	Black





## SCREEN ASSIST™ RV SCREEN DOOR PUSH BAR

**NEW**

- Full-width push-handle allows for easier opening and closing
- Durable alternative to traditional handle
- Offers stability when exiting your RV
- Easy, do-it-yourself installation
- Adjustable to accommodate screen doors 26" - 30"
- Integrated unlatching feature compatible with Lippert screen door lever-style handles only



2021000090



Makes it easy to open the door, especially when your hands are full, by providing a full-width, hassle-free push handle



Durable RV screen door push bar helps prevent wear and tear on the door screen



Installs easily on most existing RV screen doors as a fixed push bar

Part #	Extends
2021000090	21-1/2" to 28"

# SCREEN DEFENDER™ RV ENTRY DOOR SCREEN PROTECTORS

- Compatible with Lippert entry doors only
- For travel trailers, 5th wheel campers, and motorized doors on motorhomes
- Solid, aluminum screen with black powder-coated frame
- Locks into existing channels of Lippert screen door



Installs directly into your screen door's existing channels, no additional hardware



Keeps pets safely inside your RV and helps protect your Lippert entry door from damage



Solid aluminum screen is made with the same, reliable materials as Lippert entry door frames

Part #	Fits Door Width	Sizing
859791	24"	24" Kit - 20.5" wide for 24" doors
859792	26"	26" Kit - 22.5" wide for 26" doors

Part #	Fits Door Width	Sizing
859793	28"	28" Kit - 24.5" wide for 28" doors
859794	30"	30" Kit - 26.5" wide for 30" doors

# SCREEN SHOT® AUTOMATIC RV SCREEN DOOR CLOSER

- Automatically closes your RV's screen door
- Available in five sizes: 22", 24", 26", 28" or 30"
- Compatible with Lippert entry doors only
- Easy, DIY installation
- Helps keep pests out of your 5th wheel RV or travel trailer
- Includes all installation hardware



Automatically closes your RV's entry door for enhanced convenience



An easy way to help keep bugs and unwanted pests out

Part #	Fits Door Frame
730811	22"
730812	24"
730813	26"

Part #	Fits Door Frame
730814	28"
730815	30"

# THIN SHADE™ COMPLETE

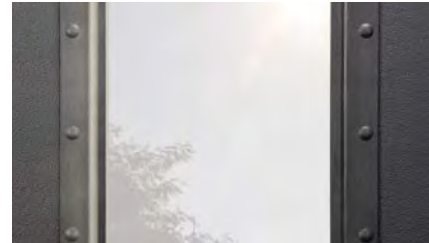
- Uniquely designed blind embedded in frame
- Compatible with Lippert RV entry doors only
- Helps keep RV interior cool and adds privacy
- Easy, do-it-yourself installation
- Easily adjustable, horizontal blind
- Includes tinted glass window, black exterior and interior window frame, horizontal blind and hardware



Aesthetically pleasing and easy to install



Easily adjust it up or down to give yourself the perfect amount of shade



When your shade is up you will always have a clear view of the scene outside

Part #	Window Frame	Window Dimensions
806621	24.72" x 15.72"	23.72" x 14.72"



## THIN SHADE™ READY RV WINDOW SHADE

- Made for Lippert RV Entry doors already prepped with the Thin Shade window frame (look for the 'Thin Shade Ready' decal on your window)
- Smooth and easy sliding operation
- Attractive black shade easily attaches to prepped window frames



Easy extend and retract operation; no cords to get tangled or knotted



Integrated into the RV door window frame



Part #	Snap-On Shade Dimensions
786037	11-7/8" x 21-1/2"



## KEYLESS RV DOOR LOCK WITH BLUETOOTH

**NEW**

- Three methods for easy entry: keyed, keypad and Bluetooth via the OneControl® app
- 60' Bluetooth range for codeless unlocking or locking when near your entry door
- Pair up to six smart devices per lock and add multiple locks to one app
- Keypad buttons illuminate for easier use at night
- Fits RVs with a 2-3/4" x 3-3/4" cutout and 1-3/8" to 1-1/2" door thickness
- 1-year manufacturer's warranty



2022114114



Provides you with remote locking and unlocking access to your rig's entry door through the OneControl app



Provides audible feedback when locking and unlocking. Keypad lights up to indicate proper code entry, errors or a low battery



Includes three convenient options for locking and unlocking your entry door using a key, the keypad or the OneControl app

Part #	Description	Orientation
2022119636	Keyless RV Door Lock with Bluetooth	Right hand
2022114114	Keyless RV Door Lock with Bluetooth	Left hand

# ENTRY DOOR REPLACEMENT PARTS



363369



363370



201495



239632



239631



346692



201471



201472



198287



198252



201478



239061



234101



326191

Part #	Description	Color	Size
<b>Windows and Glass</b>			
363369	Window for entry door	White	12" x 21"
363370	Window for entry door	Black	12" x 21"
201495	Glass (obscure only)	Clear	12" x 21"
<b>Latches and Threshold</b>			
239632	Travel trailer door latch kit	White global	
2020102689	Travel trailer door latch kit	Black global	
346692	Entry door latch kit	Chrome global	
2028911	Door threshold	Mill finish	184"
<b>Screen Door</b>			
201471	RV screen door latch (right-hand)	Black	
201472	RV screen door latch (left-hand)	Black	
198287	RV screen door frame striker	Black	
198252	RV outside door striker	Black	
201478	RV screen door rubber bumper	Black	
239061	RV screen door slider panel with push-down knob opener	Clear	
234101	Motorhome screen door bubble slider panel	Clear	
326191	Snap trim screw cover	White	76"
326192	Snap trim screw cover	Black	76"

# BAGGAGE DOOR REPLACEMENT PARTS



227214



227840



346693



227099



314302



314301



317649



213114



213109



213116



213112



213108



213117



213107



213113



213121

Part #	Description	Color	Size
381407	T-style door holder kit	Polar white	4"
381409	T-style door holder kit (includes 24)	Polar white	4"
381412	T-style door holder kit	Polar white	6"
381411	T-style door holder kit (includes 24)	Polar white	6"
381405	T-style door holder with bumper	Polar white	--
213109	Baggage door key lock	Chrome	1-1/8"
213116	Baggage door key lock	Chrome	1-3/8"
213114	Baggage door key lock	Chrome	7/8"
213108	Baggage door turn latch	Chrome	1-1/8"
213117	Baggage door turn latch	Chrome	1-3/8"
213112	Baggage door turn latch	Chrome	7/8"
227214	Baggage door slam latch handle	Black	--
227840	Baggage door slam latch mounting plate	Chrome	--
227099	Baggage door mounting plate	Black	--
346693	Baggage door lock with global latch	Black	--
314302	Standard baggage door edge cover	Black	--
317649	Standard baggage door latch kit	Black	--
314301	Standard baggage door latch strike	Chrome	--
380680	O-style door catch grips (includes two)	White	--
198295	Hinge assembly	White	Six-leaf



# SOLID STEP® PREMIUM RV ENTRY STEP

- Available in double, triple and quad configurations in two sizing options
- Extra-deep top step measures 13"; lower steps measure 8-1/2" deep
- Kickplate prevents damage to sidewall and skirt
- Includes floor backing plate and mounting hardware for wood or laminate floor application



No-bounce, manual steel step with anti-slip aluminum treads for added traction



Recessed feet prevent trip hazard and maximize clearance for camping spot



Folds up into the RV entry doorway when not in use

Part #	Step Count	Drop / Rise	Tread Width	Fits Entry Width (frame-to-frame)	Required Floor Height	Door Size (Rough opening)	Capacity
733931	26" double step	8"	20.13"	25" - 28.9"	22" - 28"	26", 28"	400 lbs.
733932	30" double step	8"	24.13"	29" - 36"	22" - 28"	30", 32", 34"	400 lbs.
791572	26" triple step	8"	20.13"	25" - 28.9"	27" - 36"	26", 28"	400 lbs.
791573	30" triple step	8"	24.13"	29" - 36"	27" - 36"	30", 32", 34"	400 lbs.
791574	26" quad step	8"	20.13"	25" - 28.9"	35" - 44"	26", 28"	400 lbs.
791575	30" quad step	8"	24.13"	29" - 36"	35" - 44"	30", 32", 34"	400 lbs.



# SOLID STEP® LIFT ASSIST KITS

- Fits entry widths 25"-28.9"
- Compatible with all Generation 3 triple and quad Solid Steps
- Gas struts take virtually all the weight off of your steps
- Enjoy more control when storing and lowering steps
- Installation hardware included
- Not compatible with Solid Step XF



Lift and lower your Solid Step with a single finger



Helps eliminate strain of lifting and lower steps for RV owners of all ages and capabilities



Gives campers more control when handling their RV steps

Part #	Description
733937	Narrow lift assist kit for 25" to 28.9" steps
733939	Wide lift assist kit for 29" to 32" steps

# SOLID STEP® STORAGE BOX

- Made for RVs equipped with a Solid Step
- Installs in space where old steps existed
- Holds up to 100 lbs.
- Steel construction with durable powder-coat
- Mounting bracket and hardware included



664640



Add more storage without taking up additional space

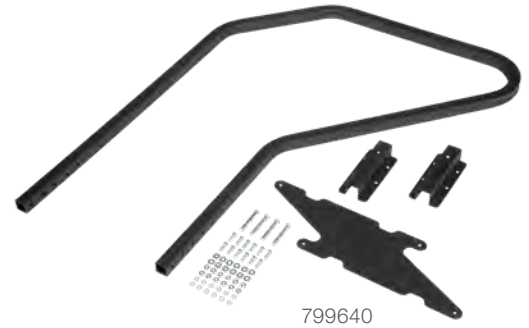


Includes a sealed lock and two keys

Part #	Description	Width	Height	Depth	Weight Capacity
664640	Solid Step RV Storage Box	27.27"	13.75"	11.31"	100 lbs.

# SOLID STEP® ENTRY ASSIST HANDRAIL FOR RV STEPS

- Compatible with Generation 3, triple and quad Solid Step
- Accommodates entry door widths up to 36"
- Easy, do-it-yourself installation
- Folds into RV doorway, right with your Solid Step
- Locking pins allow for 5" adjustment
- No dismantling before or after use
- Installation hardware included
- Not compatible with Solid Step XF



Handrail easily stores right with the Solid Step inside your RV's doorway



Locking pins allow for 5" height adjustment to accommodate door widths up to 36"



Handrail makes it easier and safer for campers to get in and out of their RVs

Part #	Fits Door Widths	Height Adjustment
799640	Up to 36"	5"

# SOLID STEP® ALL-WEATHER FLOOR TRAY

- Heavy-duty recycled rubber construction
- Catches water, leaves, dirt and debris from your Solid Step
- Helps protect your RV's flooring
- Folds into RV doorway, right with your Solid Step
- Can be used to store shoes, pet dishes and more
- Indoor or outdoor use



This tray helps protect your RV's flooring from dirt, water and debris



The all-weather floor tray is made from heavy-duty, recycled rubber



Can easily store dirty shoes, gear and even pet dishes

Part #	Description	Width	Depth
801380	All-weather floor tray	28-1/4"	20"



## RADIUS MANUAL RV STEP

- Durable, radius steps
- Available in single, double or triple configurations
- Anti-slip surface on each step
- Compact design allows user to expand and collapse step with one hand
- Powder-coated finish

Part #	Step Count	Tread Width	Drop / Rise	Capacity
432678	Single step	24"	--	300 lbs.
432682	Double step	24"	8"	300 lbs.
432687	Triple step	24"	7"	300 lbs.
432690	Triple step	24"	9"	300 lbs.



## ALUMI-TREAD® MANUAL RV STEP

- Available in double, triple or quad Assemblies
- Lightweight and rust resistant euro-style aluminum steps
- Powder coated steel frame for extra durability
- Anti-slip grips for better traction
- Adjustable legs for added stability
- Built-in grab handle for better stability
- No ground contact

Part #	Step Count	Tread Width	Drop / Rise	Capacity
432696	Triple step	24"	8"	300 lbs.
432698	Quad step	24"	8"	300 lbs.





## SOLID STANCE™ STEP STABILIZER KIT

- Eliminates step bounce and instability when entering or exiting your RV
- Dual, individually adjustable legs with four adjustment angles
- Adjustable height range of 5"-14"
- Permanently attaches to your step, no need to dismantle after use
- Quick, easy installation in 15-20 minutes
- Minimizes wear and sagging of your RV's bottom step
- Built from heavy-gauge, steel construction
- Compatible with double and triple Lippert Radius entry steps and double and triple Alumi-Tread® hybrid aluminum entry steps



Dual, individually adjustable legs with four adjustment angles



Gives you the ground support you need to eliminate unwanted bounce and instability



Set up only takes 15-20 minutes

Part #	Description	Compatibility
2020109777	Solid stance step stabilizer	Compatible with double and triple Lippert radius manual entry steps and double and triple Alumi-Tread hybrid aluminum entry steps



## TREAD LITE® RV POWER STEPS

- Steps automatically retract and extend
- LED lighting improves visibility at night
- Anti-slip coated step surface for sure footing
- Automatically retracts when vehicle ignition is triggered
- 13 lbs. lighter on average than competition
- Available in single or double configurations



Automatically extend and retract when your RV's entryways door is opened or closed



353543

Part #	Step Count / Description	Tread Width	Drop / Rise
353543	Double step w/ switch & harness	24"	8.5"
353542	Single step w/ switch & harness	24"	8.5"
353621	Double step w/ switch & harness	30"	8.5"
353620	Single step w/ switch & harness	30"	8.5"



## KWIKEE® REVOLUTION RV POWER STEPS

- Step automatically retracts and extends
- Hidden light improves visibility at night
- Automatically retracts when obstacle is detected
- Heavy-gauge steel construction
- Available in single or double configurations



Anti-slip surface on step



372604



3725791

Part #	Step Count	Tread Width	Weight Capacity
3725791	Double step	24"	750 lbs.
372604	Single step	24"	300 lbs.

## KWIKEE® REVOLUTION REPLACEMENT MODULE

- Automatically extends and retracts steps
- Exact-match replacement



363980

Part #	Description
363980	Replacement control module for revolution step

## KWIKEE® REVOLUTION REPLACEMENT MOTOR

- Includes one motor and gear box assembly
- Exact-match replacement



380073

Part #	Description
380073	Replacement motor for revolution step



# KWIKEE® ORIGINAL RV STEPS

- Steps automatically retract and extend
- Hidden light improves visibility at night (select models)
- Anti-slip surface on each step
- Automatically retracts when obstacle is detected
- Heavy-gauge steel construction
- 12V DC motor with sealed connections
- Multiple sizes and configurations available

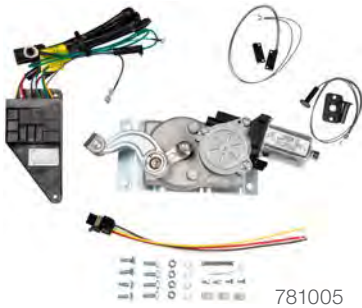


Part #	Series	Step Control	Tread Size	Switch Kit #	Rise	Run	Bolt Pattern
<b>Single Tread</b>							
711361	26	No	23-1/2"	371010	5"	8-1/2"	7-1/2" x 20-1/2"
3711363	26	Yes	23-1/2"	369311	5"	8-1/2"	7-1/2" x 20-1/2"
371136	26	Yes	25"	No	5"	8-1/2"	7-1/2" x 20-1/2"
3747452	28	Yes	23-3/4"	No	7"	10"	6-1/2" x 22"
3747451	28	No	23-3/4"	371010	7"	10"	6-1/2" x 22"
3747453	28	Yes	23-3/4"	369311	7"	10"	6-1/2" x 22"
369411	30	No	36"	371010	7-1/2"	16-3/4"	6" x 31"
3694112	30	Yes	36"	369311	7-1/2"	16-3/4"	6" x 31"
372266	33	Yes	28-1/8"	No	8"	16-3/4"	6" x 23-1/2"
3722662	33	No	28-1/8"	371010	8"	16-3/4"	6" x 23-1/2"
3722661	33	Yes	28-1/8"	369311	8"	16-3/4"	6" x 23-1/2"
369146	35	Yes	24"	No	4"	11"	8" x 22"
3691462	35	No	24"	371010	4"	11"	8" x 22"
3691461	35	Yes	24"	369311	4"	11"	8" x 22"
3756272	35	--No	30"	371010	5"	10-3/4"	8" x 22"
3756271	36	Yes	30"	369311	5"	10-3/4"	8" x 26"
372338	38	No	24"	371010	4"	14"	8" x 22"
3723383	38	Yes	24"	369311	4"	14"	8" x 22"
3724742	39	Yes	23-3/4"	369311	7"	10"	7-1/2" x 20-1/2"
372779	42	Yes	26-1/4"	No	6"	9"	18" x 29"
<b>Double Tread</b>							
3722615	32	Yes	24"	No	7"	9"	8" x 22"
3722616	32	Yes	24"	369311	7"	9"	8" x 22"
3722617	32	No	24"	371010	7"	9"	8" x 22"
372261	32	Yes	24"	369311	7"	9"	8" x 22"
3722863	34	No	30"	371010	7"	9"	8" x 26"
3722862	34	Yes	30"	369311	7"	9"	8" x 26"
3726891	40	No	24"	371010	8"	10"	8" x 26"
3726892	40	Yes	24"	369311	8"	10"	8" x 26"
372558	Platinum	Yes	24"	No	9"	11"	8" x 22"
<b>Triple Tread</b>							
3694042	23	Yes	24"	No	8"	9"	8" x 26"
375821	24	Yes	30"	369311	8"	9"	8" x 26"
365837	25	Yes	24"	369311	8"	9"	8" x 22"
369552	25	Yes	24"	369311	7"	8"	8" x 22"
3658373	25	Yes	24"	369311	8"	9"	8" x 22"

# KWIKEE® SINGLE & DOUBLE STEP MOTOR CONVERSION KITS

- Includes IMGL motor, control unit, clevis and cotter pin, 4-way pigtail fasteners and door switch

## Step motor conversion kit for 'A' linkage



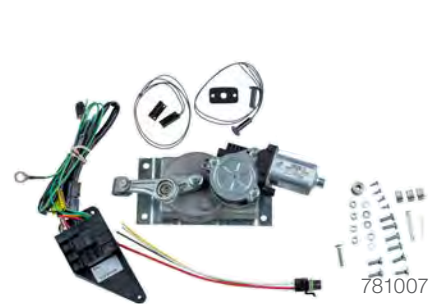
Part #	Description
781005	'A' linkage IMGL and control unit
676062	Step motor only

## Step motor conversion kit for 'B' linkage



Part #	Description
781006	'B' linkage IMGL and control unit
713488	Step motor only

## Step motor conversion kit for 'C' linkage



Part #	Description
781007	'C' linkage IMGL and control unit
713489	Step motor only

# KWIKEE® TRIPLE & QUAD STEP MOTOR CONVERSION KITS

- Includes IMGL motor, control unit, clevis and cotter pin, 4-way pigtail fasteners and door switch

## Step motor conversion kit for 'A' linkage



Part #	Description
379145	'A' linkage IMGL and control unit
379147	Step motor only
379178	Pin & clevis kit
379160	'A' linkage gearbox

## Step motor conversion kit for 'B' linkage



Part #	Description
379769	'B' linkage IMGL and control unit
379147	Step motor only
379178	Pin & clevis kit
379161	'B' linkage gearbox

## Step motor conversion kit for 'C' linkage



Part #	Description
379801	'C' linkage IMGL and control unit
379147	Step motor only
379178	Pin & clevis kit
379162	'C' linkage gearbox



# KWIKEE® RV STEP ACCESSORIES

## KwikLube® KwikLube

- Unique, aerosol grease formula
- Provides protective barrier
- Resistant to heat and moisture
- Can withstand temps up to 400°F
- Great for steps, slide-outs, jacks and other RV components
- Available in single (11 oz.) cans or in packs of (12)

379176



Creates a protective barrier for your RV's moving parts



379600

### Glow-in-the-dark tread

- Add to KwikEE® steps
- Non-slip tread strip
- Measures 6" x 21"



380063

### Yellow non-skid tread

- Replaces or repairs yellow KwikEE® step tread tape
- Measures 8" x 33"



165221

### Non-skid reflective tread

- Adds reflective tread stripe to KwikEE® Steps
- Measures 8" x 25"



3747457

### KwikEE® step frames

- Assemblies available for 25, 28, 32 and 34 series steps
- Anti-slip surface on each step
- Heavy-gauge steel construction



379607

### Kwik test control box

- Checks all functions of your KwikEE steps
- Features ignition override
- Works with all styles of KwikEE step control units with 4-way plugs



379607

### 4-way tester plug

- Fits the linkage kit for steps 29, 31, 38, 39 series with 90950100 motors
- Fits the linkage kit for steps 22, 27, 30, 32, 33, 34, 35, 36, 38, 40 series with 90950200 or 90950300 motors

Part #	Description
379600	Glow-in-the-dark tread, black, 6" x 21"
380063	Non-skid tread, yellow, 8" x 33"
164958	Non-skid reflective tread, black, 21" x 6"
165221	Non-skid reflective tread, black, 25" x 8"
3658374	25 Series step (frame only)
3747457	28 Series step (frame only)

Part #	Description
3722618	32 Series step (frame only)
3722864	34 Series step (frame only)
379607	Kwik test control box
379416	4-way tester plug
379177	KwikLube 12 can case (11 oz. cans)
379176	KwikLube single can (11 oz. can)

# KWIKEE® RV STEP REPLACEMENT PARTS



379147

## Motor and screws for IMGL steps

- Auto extends and retracts steps
- Exact-match replacement
- Use with triple and quad steps
- Rated 18NM



379146

## 9510 control for IMGL / 9510 step control

- Exact-match replacement
- To be used with magnetic door switches
- For 2006 to present



380266

## 42 series step motor conversion kit

- Auto extends and retracts steps
- Motor assembly 1820124
- Includes harness and fasteners
- Step controller 1800709



369506

## 25 Series IMGL step motor

- 12V DC motor
- Exact-match replacement
- Compatible with Series 24, 25, 42 and 47 KwikEE® steps



363982

## High current step control for 24 and 25 series steps

- Exact-match replacement
- Built using motor #1820124 (24)
- Built using motor # 1820124 (25)



379804

## Step motor gearbox upgrade kit

- Exact-match replacement
- Built using motor #1820124 (24)
- Built using motor # 1820124 (25)



379608

## Step motor replacement kit for pre-IMGL steps

- Exact-match replacement
- Replacement motor for KwikEE® pre-IMGL / 9510 control step



379649

## Step motor replacement kit for pre-IMGL steps

- Exact-match replacement
- Replacement motor for KwikEE® pre-IMGL / 9510 control step

Part #	Description
379147	Motor and screws for IMGL steps, 18NM
369506	25 Series IMGL Step Motor
379608	Step motor replacement kit for pre-IMGL steps

Part #	Description
379146	9510 control for IMGL / 9510 step control
363982	25 Series IMGL step motor
379649	'A' linkage for pre-IMGL steps

Part #	Description
380266	42 Series step motor conversion kit
379804	Step motor gearbox upgrade kit

# KWIKEE® RV STEP REPLACEMENT PARTS



372749

## Step motor table for 42 Series

- Exact-match replacement
- For 42 Series KwikEE® RV steps



379178

## Cotter and clevis pin

- Exact-match replacement
- Designed for KwikEE® motor linkage assembly



379414

## Step light

- Exact-match replacement
- Designed for KwikEE step series 22, 23, 28, 30, 32, 33, 34, 35, 36, 38 and 40



369311

## Magnetic RV door switch kit

- Exact-match component
- Designed for KwikEE steps that require a magnetic switch
- Compatible with black controls manufactured after 1999



371010

## Center rocker switch

- Exact-match component
- Self-centering rocker style power switch
- Use with motor and no control unit



379388

## Plate plunger door switch

- Exact-match component
- Designed for KwikEE steps that require a plunger



378047

## 3/8" core round magnet switch

- Exact-match component
- Designed for KwikEE steps that require a round magnetic switch



378054

## Large round door jam switch

- Exact-match component
- Fits all KwikEE steps
- Mounts in the door frame
- Hinge mount included



374198

## Miniature rectangle door switch kit

- Exact-match component
- Designed to secure the coach door when opened and closed

Part #	Description
372749	Step motor table for 42 series
369311	Magnetic RV door switch kit
378047	Round magnet switch

Part #	Description
379178	Cotter and clevis pin
371010	Center rocker switch
378054	Large round door jam switch

Part #	Description
379414	Step light
379388	Step motor gearbox upgrade
374198	Mini rectangle door switch kit

# KWIKEE® RV STEP REPLACEMENT PARTS



379400



369243



379605



379406

Part #	Description
379400	3/4" diameter core round magnetic door switch
379604	42 series control unit
369243	4-way plug with packard connector
363985	Control step camless with plug on purple
379605	Control step with override and pkd

Part #	Description
301694	Electric step switch kit (white)
379406	Large reed door switch
369488	Linkage, 24 / 25 series
301704	Manual step outrigger kit
369529	Motor and cable assembly



369299



676061



379407



379390

Part #	Description
369299	Switch, door black for 909507003
676061	Motor and screws for IMGL steps, 14nm
369473	Motor assy, 42 series
367256	Motor table system for series 42 step
369413	Pigtail harness

Part #	Description
379407	Plated plunger door switch
379398	Plunger door Switch with rocker
379390	Rocker style power switch
379403	Sm rect mag dr and power switch
375385	Switch kit magnet for electric step (black)
378044	Switch magnetic rect. N286 (white)

# COACH STEP® REPLACEMENT PARTS



301702



301695



301696



116531



301702



301695

Part #	Description
301702	Coach Step control module / brain
301695	Coach Step motor
301692	Coach Step 4-way wiring harness
301696	Single and double Coach Step gear plate

Part #	Description
116531	Coach Step bronze bushing
128958	Coach Step spacer
216567	Coach Step wet bolt kit



# CAMPSITE ACCESSORIES

# FEATURED PRODUCTS



## All-weather patio mats

Lippert outdoor RV mats create a comfortable space outside your RV where you can set up a chair, take off your shoes and unwind.



## Pop-up gazebo

This hassle-free outdoor gazebo is designed for easy set up and tear down, so you can maximize your time in the great outdoors.



## Adventure Pro coolers

Designed for long-lasting ice retention, these insulated coolers are constructed with ChillPro™ technology to keep drinks cold.

## PRODUCT INDEX



**124**  
All Weather  
Patio Mats



**125**  
Campsite  
Tables



**126**  
Stargazer  
Furniture



**128**  
Scouts  
Furniture



**130**  
Campfire  
Furniture



**132**  
Big Bear  
Camping Chair



**133**  
Cloud  
Hammock



**134**  
Picnic  
Gazebo



**136**  
Odyssey™  
Portable Grills



**137**  
Picnic  
Table Covers



**138**  
Adventure Pro  
Coolers

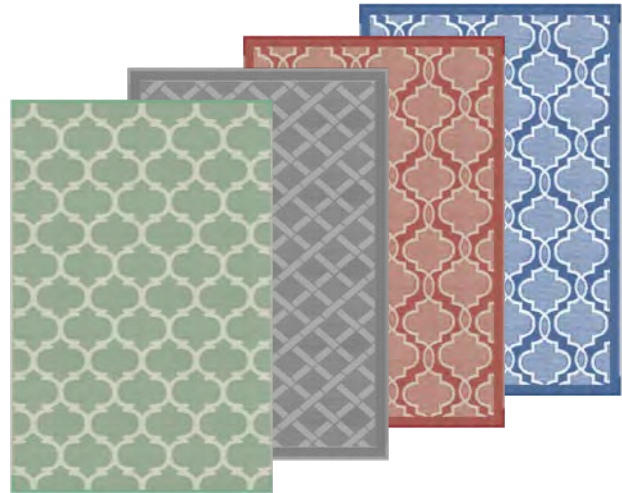


**139**  
On-The-Go™  
RV Ladder



## ALL WEATHER PATIO MATS

- Reversible design flips over to reveal an alternative pattern
- Durable polypropylene fabric is mold- and mildew-resistant and UV-resistant to deter fading
- Easy to clean using a power washer or hose
- Available in four sizes and colors with four unique patterns
- Reinforced loops in the corners accept tie-down stakes (not included)



Reversible for two color / pattern options



Reinforced corner loops for optional tie-down (stakes sold separately)



Complete with a durable carry bag that lets you tote your mat with total ease

## Color options



Blue



Grey



Green



Terracotta

Width	Length	Blue	Grey	Green	Terracotta
6'	9'	2021028005	2021028006	2021028007	2021028008
8'	12'	2021028009	2021028010	2021028028	2021028029
8'	16'	2021028031	2021028034	2021028035	2021028036
8'	20'	2021028037	2021028038	2021028039	2021028040

# HD HYBRID CAMP TABLE

- Foldable for easy storage and portability
- Extra durable, powder coat finish
- Aluminum slatted tabletop
- Steel frame construction
- Lightweight construction
- Includes carry bag



2021000209



Lightweight and foldable, this table lets sets up a dining or entertaining space outdoors



Built to take on the elements with a steel frame, aluminum top and powder coated finish



Complete with a durable carry bag that lets you tote your table with total ease

Part #	Description	Height	Width	Depth	Top Material	Frame Material	Weight	Capacity
2021000209	HD hybrid	27-1/2"	27-1/2"	27-1/2"	Aluminum slats	Steel	11 lbs.	80 lbs.

# BI-FOLD BAMBOO ADJUSTABLE CAMP TABLE

- Easy to set up bi-fold design
- No assembly required
- Lightweight design
- Stylish, sturdy bamboo top
- Convenient carry handle
- Adjustable leg heights



2021011322



Bamboo top is easy to clean and provides a durable surface for eating and more



This foldable table lets you set up a dining or entertaining space outdoors, hassle-free



Easily raise or lower the table's legs to meet your needs or adapt to uneven surfaces

Part #	Description	Height	Width	Depth	Top Material	Frame Material	Weight	Capacity
2021011322	Bi-fold bamboo	27-1/2"	28-1/2"	39-1/2"	Bamboo	Aluminum	19 lbs.	80 lbs.





## STARGAZER ROCKING CHAIR

- All-weather, fast-drying, breathable mesh fabric
- Heavy-duty bungee cord for added strength and comfort
- Adjustable padded head rest
- Steel frame construction
- Durable powder coated finish
- Folds flat for easy transport and storage



Heavy-duty powder coated steel frame design built to withstand rugged adventures



2021123284

Dark Grey #	Sand #	Capacity	Weight	Width	Depth	Height
2021123283	2021123284	300 lbs.	15-1/2 lbs.	28-1/4"	36"	41-1/2"

# STARGAZER PLUS ZERO-GRAVITY CHAIRS

- Weightless, zero-gravity comfort
- Breathable, fast-drying mesh fabrics
- Multiple reclining options
- Adjustable, anti-slip headrest
- Steel tube framing
- Easily folds for storage and portability



The weightless, zero-gravity design helps to reduce back stress and tension, all while providing support where you need it most



2021123287



2021123288

Part #	Style	Color	Capacity	Weight	Width	Depth	Height
2021123287	Plus	Dark grey	350 lbs.	19-1/2 lbs.	28-3/4"	35-3/4"	44-1/4"
2021123288	Plus	Sand	350 lbs.	19-1/2 lbs.	28-3/4"	35-3/4"	44-1/4"

# STARGAZER FOLDING CHAIR

- Weightless, zero-gravity comfort
- Breathable, fast-drying mesh fabrics
- Adjustable, anti-slip headrest
- Steel tube framing
- Easily folds for storage and portability
- Lightweight construction



Made with a flexible, bungee suspension system to provide optimal comfort



2021000202

Black #	Navy #	Capacity	Weight	Width	Depth	Height
2021000202	2021000204	300 lbs.	13-1/4 lbs.	29-1/2"	26-3/4"	43"



## SCOUT OUTDOOR FOLDING CHAIR

- Durable, steel tube frame construction with heavy-duty powder coating
- Made of resilient 600D polyester fabric with PVC coating resistant to water, chemicals and UV rays
- Padded mesh back, seat and armrests
- Oversized feet for added stability
- Single cupholder and carry bag included



Bring your drink on your adventure with the built-in cupholder for ultimate convenience



Padded mesh fabric and durable armrests are comfortable and supportive enough to relieve your aches, pains and stress



Weighing just 5-1/2 lbs., you can easily transport this chair to any outdoor activity with the included carry bag

Dark Grey #	Sand #	Capacity	Weight	Width	Depth	Height
2021123276	2021123277	500 lbs.	5-1/2 lbs.	25"	24"	41-1/2"



## SCOUT DIRECTOR'S CHAIR WITH SIDE TABLE

- Durable, steel tube frame construction with heavy-duty powder coating
- Made of resilient 600D polyester fabric with PVC coating resistant to water, chemicals and UV rays
- Integrated side table with single cupholder
- Padded mesh back, seat and armrests
- Folds to a compact size for easy storage



2021123282



Bring your drink on your adventure with the built-in cupholder for ultimate convenience



Our 600D polyester fabric with PVC coating makes this chair resistant to water, mildew, oil, chemicals, dirt, salt and UV rays



Made with a steel tube frame and a capacity to hold 400 lbs., there's nothing this camp chair can't handle

Dark Grey #	Sand #	Capacity	Weight	Width	Depth	Height
2021123280	2021123282	400 lbs.	17-1/2 lbs.	24"	19-1/2"	36-1/2"



## CAMPFIRE FOLDING CHAIR

- Durable, resilient mesh fabrics
- Steel frame construction
- Carry bag included
- High-loft cushioning
- Double-wide spacious design
- Cupholder and stemmed wine glass holder
- Lightweight and easy to transport



The double-wide, spacious design of this fold out camping chair lets you kick back outside with more room to relax



2021128651

Dark Grey #	Sand #	Capacity	Weight	Width	Depth	Height
2021128652	2021128651	350 lbs.	8-1/2 lbs.	40-1/4"	27-1/2"	32-1/4"

## CAMPFIRE FOLDING LOVESEAT

- Durable, resilient mesh fabrics
- Steel frame construction
- Carry bag included
- Back mesh storage pocket
- High-loft cushioning
- Double-wide spacious design
- Dual cupholders and a stemmed wine glass holder



Complete with dual cupholders, wine glass holder and back mesh storage pocket



2021128650

Dark Grey #	Sand #	Capacity	Weight	Width	Depth	Height
2021128650	2021128647	500 lbs.	15 lbs.	58-1/4"	24-1/2"	36-1/4"

## CAMPFIRE FOLDING OTTOMAN

- Spacious design complete with dual cupholders
- Durable, resilient mesh fabrics with high-loft cushioning
- Powder coated steel frame construction
- Pair with the campfire folding loveseat
- Carry bag included



Versatile design allows for the ottoman to be used as a footrest, chair or table



2021123295

Dark Grey #	Sand #	Capacity	Weight	Width	Depth	Height
2021123295	2021123292	300 lbs.	9 lbs.	42"	22"	18"



## BIG BEAR CAMPING CHAIR

- Durable, resilient mesh fabrics
- Includes expandable carry bag with compression straps
- High-loft cushioning
- Dual cupholders and a stemmed wine glass holder
- Lightweight and easy to transport



Our camping chairs deliver optimal outdoor comfort with high-loft padding that's so cozy you'll forget you're sitting outside



Built-in dual cupholders and a stemmed wine glass holder so you can store all of your favorite outdoor beverages



Complete with an expandable carry bag equipped with compression straps, so you can easily bring your chair anywhere

Dark Grey #	Sand #	Capacity	Weight	Width	Depth	Height
2021128654	2021128653	400 lbs.	13-3/4 lbs.	38-1/2"	23-1/2"	39-1/2"

# CLOUD HAMMOCK

- Constructed with heavy-duty yet lightweight and breathable 210T parachute nylon
- Two eco-friendly nylon tree straps with carabiners are pre-looped and wide so they won't damage trees
- Carry bag included for easy transportation and can conveniently double as a storage pocket when the hammock is set up



2021123291



This single-person hammock is made of heavy-duty 210T parachute nylon with triple interlocking stitching for superior strength



With reinforced nylon tree straps, you'll never have to tie knots again, making it faster and easier to hang this hammock in minutes



Conveniently carry this portable travel hammock on any adventure with the included nylon carrying bag

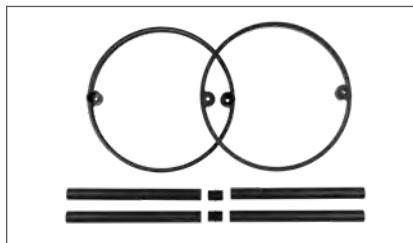
Part #	Configuration	Length	Width	Color	Capacity
2021123291	Single	8' 10"	4' 2"	Cloud	300 lbs.

# TRASH BAG HOLDER

- Perfect for holding trash, yard waste or recycling
- Use while camping, picnicking, boating, tailgating or doing yard work
- Easy to assemble and carry
- Made of lightweight yet durable injection molded plastic



Compatible with 24" drawstring bags and can hold up to 13-gallon trash bags



Folds to a compact size, so you can easily take it wherever your adventure takes you



2022105716

Part #	Compatibility	Length	Width	Height	Capacity
2022105716	24" drawstrings bags	17-1/4"	17-1/4"	31"	13 gallon bags





## PICNIC POP-UP GAZEBO & WIND PANELS

- Breathable mesh screen walls to enjoy fresh, bug-free air
- Comfortably accommodates four to six people in 107 sq. ft. of space
- Designed with a hub system that allows for easy set up and tear down in minutes
- Water-resistant material keeps moisture out
- Provides protection against harsh sun exposure
- Made from flame-retardant material
- Includes five tie downs, 12 heavy-duty stakes and a convenient storage bag



You can set up and take down this screened gazebo by yourself or with a partner in a matter of seconds



Conveniently take your pop-up gazebo on every adventure with the included carry bag



The no-see-um mesh side panels are made for keeping even the tiniest of insects out, such as sand fleas known as "no-see-ums"

Part #	Description	Width	Depth	Height	Color
2021123289	Gazebo	12'	12'	7' 8"	Sand
2021123290	Gazebo wind panels	5' 10"	--	5' 9"	Sand



## PORTABLE PET PLAYPEN

- Breathable mesh screen walls allow for air circulation and visibility
- Designed with easy-to-clean 600D polyester fabric with PVC coating
- Zippered top and side entrances for hassle-free access
- Foldable for easy transportation and storage
- Made for indoor and outdoor use
- Includes four stakes and convenient carry bag



With a zippered side entrance that can be tied up, your pet can walk in and out of the playpen with ease when it's open



Simply spot clean the polyester fabric as needed with a damp washcloth and mild detergent, then towel it off or let it air dry



When you're done using the foldable pet playpen, collapse, fold and put it into its convenient carrying bag for storage

Part #	Size	Width	Depth	Height	Color
2021150641	Small / medium	29"	29"	17"	Sand
2021150642	Large / extra-large	48"	48"	24"	Sand



## ODYSSEY™ PORTABLE GRILLS

- Grilling unit that incorporates a durable outer bowl made of powder coated steel, stainless steel basin, grill plate, barbecue grate, ignition plate, charcoal container with a cover and gripping tongs
- Includes a convenient carry bag with a bonus insulated cooler attachment
- Holds five to six charcoal briquettes for the smoky taste you know and love
- Temperature-controlled with four AA batteries or a USB connection
- Innovative design that provides superior ventilation for even cooking and deflects grease drippings away from the burning charcoal
- Integrated safety latches on the outer bowl to keep the inner basin, barbecue grate and charcoal container together in a self-contained unit
- Dishwasher safe barbecue grate and inner basin



Take your recipe to the next level, and keep the smoky flavor you enjoy and expect from your charcoal grill



Temperature control knob and fan powered by four AA batteries or a USB connection



Take this lightweight travel grill on any outdoor adventure with a convenient carry case

Part #	Color	Width	Depth	Height	Weight
2021106514	Amber	14-1/4"	14-1/4"	8-1/2"	5 lbs.
2021106516	Green	14-1/4"	14-1/4"	8-1/2"	5 lbs.
2021106515	Red	14-1/4"	14-1/4"	8-1/2"	5 lbs.

# VINYL TABLECLOTH WITH BENCH COVERS

- Tablecloth and bench cover set for camping and picnicking
- Protects table and benches from spills and scratches
- Made from 100% PEVA material
- Waterproof and stain resistant
- Easy to wipe clean
- Available in three fun prints
- Tablecloth fits standard 27" x 72" picnic tables
- Bench covers fit standard 11" x 72" picnic table benches



2022107833



2022107834



2022107835



Plaid #	Lemon Toss #	Patchwork #	Includes	Dimensions	
				Table Cloth	Bench Seat
2022107833	2022107834	2022107835	One table cloth and two bench covers	78" x 37-1/2"	78" x 15-1/2"

# LIPPERT SCOUTS™ APRON

- Perfect for cooking, grilling, cleaning, gardening, crafting and more
- Made from comfortable and durable cotton twill material
- Tan color with exclusive design inspired by the Lippert Scouts
- Three storage pockets and a towel loop for convenience
- Adjustable neck and waist straps for a universal fit
- Machine washable and dryer safe



2022107842

Part #	Width	Length	Print
2022107842	32"	36"	Lippert Scouts



## ADVENTURE PRO COOLERS

- Keep drinks cold for days with ChillPro™ technology
- Wide-mouth opening for easy access and visibility
- Padded handle and shoulder strap included for maximum comfort (#2021099915, #2021099913)
- Wheels and adjustable handle for easy transportation (#2021099917)



2021099915



2021099913



2021099917

Part #	Capacity	Inside Dimensions			Outside Dimensions		
		Width	Depth	Height	Width	Depth	Height
2021099915	24 cans or 15 lbs. ice	11-1/2"	7-1/2"	12"	14"	10-1/2"	15-1/4"
2021099913	30 cans or 20 lbs. ice	17-1/2"	5-1/2"	13-1/2"	20"	8-1/4"	17-1/2"
2021099917	40 cans or 30 lbs. ice	13"	11"	15"	17"	14"	19"



## ON-THE-GO™ RV LADDER

- Portable, telescoping ladder for RVs
- Compatible with RVs equipped with the Lippert ladder receiver
- Lightweight, design retracts for easy storage and transport
- Angled extension reaches 22" above your RV for added stability
- User-friendly, fast extension and retraction
- Segmented locks on each step for increased retraction control



Built with high-strength, 5/8" diameter steel locking pins that give you more control when extending and retracting your ladder



Designed to extend at an angle from the ground to the top of your RV — helping to maximize stability and stepping ease



This durable, aluminum ladder retracts down to make it simple for you to store, transport and set up, hassle-free

Part #	Extended Height	Retracted Height	Weight	Capacity
2021097938	12-1/2'	33-1/2"	> 25 lbs.	330 lbs
2021126697	14-1/2'	35-3/4"	> 27 lbs.	330 lbs



# RV INTERIOR

# FEATURED PRODUCTS



## Thomas Payne® furniture

From jackknife sofas and recliners to theater seating, our premium line of Thomas Payne RV furniture delivers luxurious comfort.



## Thomas Payne® mattress

Keep cool and dry all through the night with our moisture-wicking, fiberglass-free mattress from the Thomas Payne collection.



## Tucked-in bed cover sets

With the Thomas Payne Easy Zzzs bed set, you can make your bed in tight quarters in seconds due to the all-in-one, attached design.

## PRODUCT INDEX



144

Thomas Payne®  
Heritage  
Theatre Seating



146

Thomas Payne®  
Seismic  
Theatre Seating



148

Thomas Payne®  
Sofa Seating



151

Thomas Payne®  
Recliner Chairs



152

Dinette  
Cushions



153

Thomas Payne®  
RV Mattresses



154

Thomas Payne®  
Bedding



156

Teddy Bear™  
RV Bunk Series



158

Children's  
Sleeping Bags



159

Fabric Bowl  
Holder



159

Kitchen  
Textile Set



# THOMAS PAYNE® FURNITURE COLLECTION THEATER SEATING



Quality workmanship and unsurpassed comfort are the foundation upon which every piece of Thomas Payne Collection furniture is built. Equally impressive is the high level of functionality this furniture offers. With seven styles of furniture and multiple fabric options, we have all the seating and sleeping options to suit your needs.

## Backed by a five-year hydrolysis warranty

We are proud to back our aftermarket furniture line with a leading five-year hydrolysis warranty. The Lippert five-year hydrolysis warranty applies to new aftermarket Thomas Payne furniture purchases. Our fabric is water-repellent, stain-resistant, easy to clean and abrasion-tested 100,000+ cycles

## Available furniture styles



Seismic theatre seating (Altoona)



Heritage theatre seating (Millbrae)



Jackknife sofas (Grummond)



Tri-fold sofas (Norlina)



Euro recliner chairs (Altoona)



Swivel glide recliners (Millbrae)



Swivel pushback recliners (Grummond)

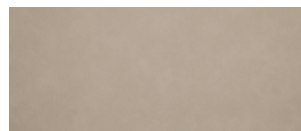
## Material and color options



PolyHyde vinyl  
Millbrae



PolyHyde vinyl  
Grummond



PolyHyde vinyl  
Altoona



Fabric  
Norlina



# HERITAGE SERIES™ THEATER SEATING

- Four modular pieces can be configured to fit any style or need: center console, armless, left-hand and right-hand recliners
- Upgraded PolyHyde® vinyl cover with high density foam
- Center console features a storage compartment, wireless phone charging station and 2 cup holders
- Armless recliner features a fold-down center console with dual cup holders
- Fabric carries a five-year hydrolysis warranty, an industry-first
- Fits through any entry door 26" or larger
- Space-saving wall hugger recliners



Assembled kit  
(Millbrae)



Armless recliner  
(Norlina)



Center console  
(Grummond)



This series includes a wireless phone charging station, integrated storage area, chaise-style footrest and fold-down center console with recessed dual cupholders



Built specifically for RVs, our furniture is lightweight, and each piece has a removable back — making it easy for you to get through entryways and down halls in your RV



Choose between PolyHyde vinyl upholstery colors: Millbrae, Altoona and Grummond — or Norlina, our woven-fabric solution, which is great for RV owners with kids or pets

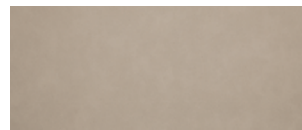
## Material and color options



PolyHyde vinyl  
Millbrae



PolyHyde vinyl  
Grummond



PolyHyde vinyl  
Altoona



Fabric  
Norlina

Millbrae #	Grummond #	Altoona #	Norlina #	Size	Description
2020129262	2020129285	2020134970	2020129304	27-1/2"	Recliner - right
2020129263	2020129286	2020134971	2020129306	27-1/2"	Recliner - left
2020129265	2020129293	2020134973	2020129308	21-1/2"	Recliner - armless
2020129264	2020129291	2020134972	2020129307	10"	Center console



## ARM CLAMP TRAY

- Clamps to the armrests of your Thomas Payne Seismic Series™ and Heritage Series™ furniture
- Lightweight and easy to set up
- Easy to clean with a non-abrasive cleaning solution

Part#	Description
2020129999	Clip-on armrest tray



Fits armrest up to 7-3/4" wide



Collapsible, adjustable legs fold into the table for quick storage

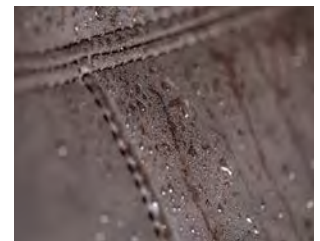
## VINYL, LEATHER & UPHOLSTERY CLEANER

- Safe for vinyl, leather and carpet surfaces and can be used on fiberglass, plastic, chrome and glass
- Bio-degradable, safe, non-caustic and non-silicone
- Safely removes stains and mildew from RV and boating furniture

Part#	Description	Size
2021017625	Vinyl, leather, and upholstery cleaner	32 oz.



Spray-on, wipe-off application



Cleans furniture without damaging fabrics

# SEISMIC SERIES™ THEATER SEATING

- Recliners feature heated seats, lighting, massage and an accessories power port
- Stylish, residential power recliner, including power lumbar and headrest and USB charging port
- Center console features a powered flip-up center with 110V outlets and a storage compartment
- Rear power outlet with single-plug source per piece (recliner only)
- Fabric carries a five-year hydrolysis warranty, an industry-first
- Fits through any entry door 26" or larger
- Space-saving wall hugger recliners



Assembled kit  
(Millbrae)



Left hand recliner  
(Norlina)



Center console  
(Grummond)



Recliners feature heated seats, lighting, massage and an accessories power port



Power recliner includes power lumbar, adjustable headrest and USB charging port



Silver LED cup holders with adjustable color lights

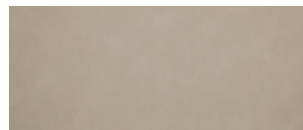
## Material and color options



PolyHyde vinyl  
Millbrae



PolyHyde vinyl  
Grummond



PolyHyde vinyl  
Altoona



Fabric  
Norlina

Millbrae #	Grummond #	Altoona #	Norlina #	Size	Description
2020129316	2020129328	2020134974	2020129336	27-1/2"	Recliner - right
2020129321	2020129329	2020134975	2020129337	27-1/2"	Recliner - left
2020129322	2020129330	2020134976	2020129339	12"	Center console

# SEISMIC SERIES™ POWER PORT ACCESSORIES

## Integrated power port



## Accessories Power Port

The power port feature located on the armrests of the Seismic Series furniture pieces (left and right-hand recliners only), allows you to plug in various accessories so you can enjoy even more relaxation inside your RV.



## Wireless phone charger and cradle

- Adjustable neck for optimal positioning
- Cradle adjusts to 7-1/2" to fit various device sizes
- Includes USB connection port to charge a device with a USB cord (not included)



## Three-speed portable fan

- Rechargeable battery holds power for two hours
- Adjustable gooseneck for optimal positioning
- Three, one-touch fan modes



## LED reading light

- Equipped with LED lights and rechargeable battery with up to two hours of power
- Three, one-touch light modes easily adjust to meet your lighting needs
- Lightweight and easy to set up or store



## 360 swivel desk

- Lightweight, easy to install and dismantle
- Swivel adjustment for optimal positioning
- Easy to clean with a non-abrasive cleaning solution
- Supports Qi-enabled devices



## Wine glass holder

- Securely holds stemmed wine glasses

Part#	Description
2020129995	Wireless phone charger and cradle
2020129997	Three-speed portable fan
2020129994	360 swivel desk
2020129993	LED reading light
2020129996	Wine glass holder



## DESTINATION TRI-FOLD SOFA SEATING

- Available in three sizes: 62", 68" and 72"
- Stylish residential sofa
- Upgraded PolyHyde® vinyl cover with high density foam
- Fabric carries a five-year hydrolysis warranty, an industry-first
- Converts to bed in four easy steps
- As comfortable as a bed as it is as a sofa
- Fits through 26" or larger entry door
- Large storage space in base
- Takes up 12" less space when extended than a traditional hide-a-bed
- Available in four colors: Millbrae, Grummond, Altoona and Norlina



62" (Altoona)

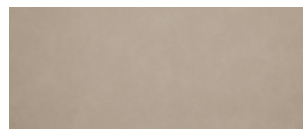
### Material and color options



PolyHyde vinyl  
Millbrae



PolyHyde vinyl  
Grummond



PolyHyde vinyl  
Altoona



Fabric  
Norlina

Millbrae #	Grummond #	Altoona #	Norlina #	Size	Description
2020126716	2020126718	2020134887	2020126719	62"	Recliner - right
2020127590	2020128147	2020134966	2020128771	68"	Recliner - left
2020128894	2020128895	2020134969	2020128896	72"	Center console

# JACKKNIFE SOFA SEATING

- Available in three sizes: 62", 68" and 72"
- Upgraded PolyHyde vinyl cover with high density foam
- Fabric carries a five-year hydrolysis warranty, an industry-first
- Sofa includes matching kickboard
- Overall depth in bed position is 42"
- Available in four colors: Millbrae, Grummond, Altoona and Norlina
- Optional leg kits available and must be ordered separately (#364582)



62" (Grummond)



Stylish, residential sofa

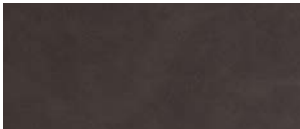


Converts to bed in one easy motion



Fold-down center console with cup holders

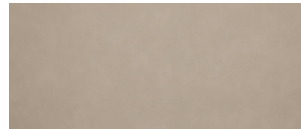
## Material and color options



PolyHyde vinyl  
Millbrae



PolyHyde vinyl  
Grummond



PolyHyde vinyl  
Altoona



Fabric  
Norlina

Millbrae #	Grummond #	Altoona #	Norlina #	Size	Description
2020129834	2020129835	2020135018	2020129836	62"	Recliner - right
2020129837	2020129838	2020135025	2020129839	68"	Recliner - left
2020129840	2020129841	2020135030	2020129842	72"	Center console

## UNIVERSAL LEG KIT FOR JACKKNIFE SOFAS

- 16-gauge powder-coated black steel jackknife sofa leg kit
- Easy-to-install bolt-on kit
- Includes 5/16" and 3/8" bolts

Part#	Includes
364582	Two steel legs



364582







## EURO RECLINER CHAIRS

- 360° swivel base and glider action
- Upgraded PolyHyde® vinyl cover with high density foam
- Fabric carries a five-year hydrolysis warranty, an industry-first
- Fits through any 26" or larger entry door unassembled
- Attached footrest
- Lightweight and easy to move



Altoona

Millbrae #	Grummond #	Altoona #	Norlina #
2020129900	2020129901	2020135004	2020129902

Width	Depth	Height
26"	33"	39"

## SWIVEL PUSHBACK RECLINERS

- 360° swivel base for optimal positioning
- Upgraded PolyHyde® vinyl cover with high density foam
- Fabric carries a five-year hydrolysis warranty, an industry-first
- Fits through any 26" or larger entry door unassembled
- Smooth, manual reclining action
- Small size allows recliner to fit in tight areas



Grummond

Millbrae #	Grummond #	Altoona #	Norlina #
2020129869	2020129870	2020135002	2020129886

Width	Depth	Height
28"	34"	41"

## SWIVEL GLIDE RECLINERS

- 360° swivel base and glider action
- Upgraded PolyHyde® vinyl cover with high density foam
- Fabric carries a five-year hydrolysis warranty, an industry-first
- Fits through any 26" or larger entry door unassembled
- Smooth, manual reclining action with chaise-style footrest



Millbrae

Millbrae #	Grummond #	Altoona #	Norlina #
2020129853	2020129855	2020135001	2020129856

Width	Depth	Height
31"	34"	38"



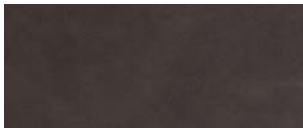
## THOMAS PAYNE® RV DINETTE CUSHIONS

**NEW**

- Premium fabric and foam cushioning built for comfort and durability
- Easy-to-clean materials quickly wipe off
- No installation; just remove the old cushions and replace them with new Thomas Payne dinette cushions
- Upgraded PolyHyde® vinyl cover with high density foam
- Fabric carries a five-year hydrolysis warranty, an industry-first
- Set includes two bottom and two back cushions
- Available in four colors: Millbrae, Grummond, Altoona and Norlina



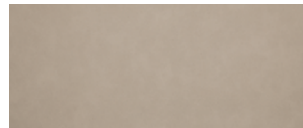
### Material and color options



PolyHyde vinyl  
Millbrae



PolyHyde vinyl  
Grummond



PolyHyde vinyl  
Altoona



Fabric  
Norlina

Millbrae #	Grummond #	Altoona #	Norlina #	Dimensions			
				Width	Seat Depth	Back Height	Thickness
2021100433	2021100443	2021100434	2021100444	38"	22"	12"	4"
2021100490	2021100493	2021100491	2021100494	40"	22"	12"	4"
2021100495	2021100496	2021100496	2021100498	42"	22"	12"	4"
2021100500	2021100502	2021100501	2021100503	44"	22"	12"	4"



## THOMAS PAYNE® RV MATTRESSES

- 10" dual foam layer mattress available in four sizes
- 1" top layer made of 2.2 lb. memory foam, infused with charcoal cooling gel
- 9" comfort and support base layer made of 1.56 lb. foam
- Smart temperature, moisture-wicking materials
- Eco flex, fiberglass-free mattress barrier
- Ships compressed and double-bagged in a box for added protection and easy handling
- Six-month compression guarantee and a 10-year warranty



Our dual-layer design features soft, 1" memory foam infused with charcoal and gel to naturally eliminate odors while the 9" support foam layer provides comfort and temperature control

Our mattresses react to body temperature, staying cool and dry for all night comfort

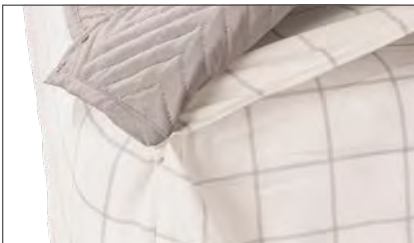
Part #	Bed Size	Width	Length	Thickness
2020000135	Short queen	60"	75"	10"
2020000136	Queen	60"	80"	10"
2020000137	Narrow king	72"	80"	10"
2020000138	King	76"	80"	10"



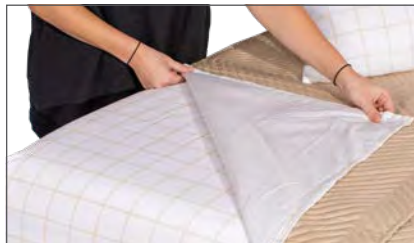
## THOMAS PAYNE® EASY ZZZZ TUCKED-IN BED COVER SETS

**NEW**

- Complete bedding set with fitted sheet, top sheet, quilt and two pillowcases
- Attached design for easily making the bed
- Long-sided quilt hides the sheets when the bed is made
- Made from soft polyester material for ultimate comfort
- Available in four sizes: King, Narrow King, Queen and Short Queen
- Available in three checkered prints: grey, navy and tan
- Machine washable and dryer safe for easy care



The sheets and quilt in this set are all sewn together on one side, so making the bed in the tight quarters of your RV is easier than ever



Designed with easy-to-clean, soft polyester material, our RV bedding set feels luxurious against your skin



Made for RV mattresses, our bedding sets are available in four sizes. They also come in three different colors to get the perfect match for your RV

Grey Checkered #	Navy Checkered #	Tan Checkered #	Bed Size	Width	Length
2022107819	2022107824	2022107829	Short queen	60"	75"
2022107820	2022107825	2022107830	Queen	60"	80"
2022107821	2022107826	2022107831	Narrow king	72"	80"
2022107822	2022107827	2022107832	King	76"	80"

# THOMAS PAYNE® MATTRESSES PROTECTORS

- Protects your bedding from spills, dander, stains, dust mites and more
- Made with a breathable, waterproof barrier
- Hypoallergenic and PVC-free
- Fits tightly and is easily removed

Part #	Bed Size	Width	Length	Thickness
2020218501	Short queen	60"	75"	10"
2020218503	Queen	60"	80"	10"
2020218504	Narrow king	72"	80"	10"
2020218505	King	76"	80"	10"



Our mattress covers protect your RV bedding from spills, stains, pet dander, dust mites and other unwanted allergens

# THOMAS PAYNE® MICROFIBER SHEET SETS

- Ultra-soft, spa-grade microfiber sheets
- Includes a fitted sheet, a flat sheet and two pillowcases
- Moisture-wicking materials to keep you cool and dry
- Hypoallergenic and easy care

Part #	Bed Size	Width	Length	Thickness
2020218489	Short queen	60"	75"	10"
2020218491	Queen	60"	80"	10"
2020218492	Narrow king	72"	80"	10"
2020218493	King	76"	80"	10"



Made with the same moisture-wicking materials used in athletic performance wear, our sheets keep you cool and dry all night

# THOMAS PAYNE® ADJUSTABLE MICROFIBER SHEET SETS

- Ultra-soft, adjustable spa-grade microfiber sheets
- Moisture-wicking material keeps you cool and dry
- Accommodates unique RV bedding sizes including jackknife sofas, radius corner mattresses, pop-out mattresses and dinette sleepers
- Includes a drawstring fitted sheet, a flat sheet and two pillowcases
- Hypoallergenic and easy care

Part #	Bed Size	Width	Length	Thickness
2020218506	Bunks	30 - 34"	70 - 75"	14"
2020218507	Twin and 3/4	35 - 48"	70 - 75"	14"
2020218508	Full / queen	49 - 60"	75 - 80"	14"
2020218510	King	61 - 76"	75 - 80"	14"



Designed with ultra-soft, spa-grade microfiber materials for enhanced sleeping comfort while you're on the road camping



## TEDDY BEAR™ RV BUNK MATTRESSES

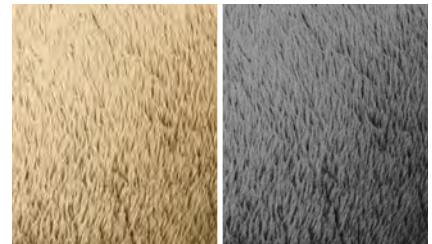
- Designed to give kids a fun sleeping experience
- Provides a soft and ultra-comfortable sleep surface
- Hypoallergenic, water resistant, mold resistant and recyclable
- Available in Teddy Bear Tan or Teddy Bear Charcoal color options
- Choose from multiple sizes and height profiles to fit your camper's bunk mattress space



Great RV mattress replacement over your old, worn or uncomfortable bunk mat with a soft, inviting sleep surface



Hypoallergenic, mold-resistant and water resistant, the mat's core guards against harmful bacteria and fungus buildup



Choose from our Teddy Bear Tan or Teddy Bear Charcoal color options to match your RV aesthetic

Charcoal #	Tan #	Width	Length	Thickness
--	358665	28"	74"	2-1/2"
--	360909	32"	74"	2-1/2"
--	380763	50"	74"	2-1/2"
2021130627	375995	28"	74"	3"
2021130628	374921	32"	74"	3"
2021130629	380764	50"	74"	3"
2021130630	380765	28"	74"	4"
2021130631	380766	32"	74"	4"
2021130632	380768	50"	74"	4"

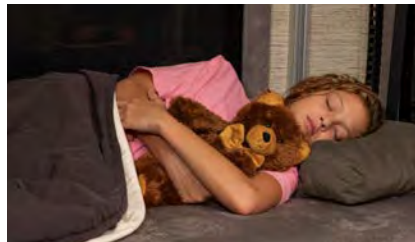


## TEDDY BEAR™ RV BUNK COVERS

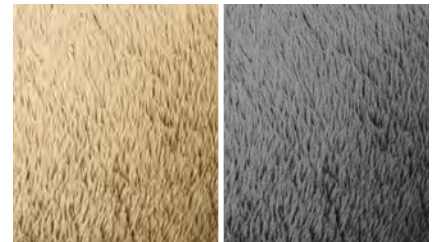
- Cover simply slips over the existing bunk mattress
- Helps protect your mattress from dirt and debris
- Provides a soft and ultra-comfortable sleep surface
- Made with 100% polyurethane synthetic fiber
- Easy to fold for compact storage
- Available in Teddy Bear Tan or Teddy Bear Charcoal
- Fits mattresses 74" long with three size options: (28", 32" or 50" wide) in either 3" or 4" depths



Simply slip the Teddy Bear bunk mat cover over your existing bunk mat to totally refresh your sleeping space



The Teddy Bear bunk mat cover upgrades your old, worn or uncomfortable bunk mat with a soft, inviting sleep surface



Choose from our Teddy Bear Tan or Teddy Bear Charcoal color options to match your RV aesthetic

Charcoal #	Tan #	Width	Length	Thickness
2021130633	679279	28"	74"	3"
2021130634	679294	32"	74"	3"
2021130635	679281	50"	74"	3"
2021130636	679282	28"	74"	4"
2021130637	679300	32"	74"	4"
2021130638	679302	50"	74"	4"



# CHILDREN'S SLEEPING BAGS

**NEW**

- Sleeping bag and pillow set for ages five and older
- Perfect for camping in tents, cabins, RVs and more
- Made from soft fabric with comfortable poly filling
- Lightweight yet durable material
- Zippered closure for convenience and heat retention
- Available in three playful designs
- Machine washable and dryer safe



2022107836



2022107837



2022107838

Part #	Print	Width	Length
2022107836	Wilderness	62"	67"
2022107837	Mobiles	62"	67"
2022107838	Campsite	62"	67"

# CHILDREN'S NAP SACKS

**NEW**

- Three-in-one nap sack, pillow and plush toy combo
- For ages five and older
- Perfect for camping in tents, cabins, RVs and more
- Made from soft fabric with comfortable poly filling
- Lightweight yet durable material
- Quickly folds up for easy transport
- Available in three fun characters
- Machine washable and dryer safe



Part #	Characters	Width	Length
2022107839	Bear	19"	53"
2022107840	Fox	19"	53"
2022107841	Raccoon	19"	53"

2022107840

2022107841

2022107839

# COZY BOWL HOLDER SET

- Set of four navy bowl holders
- Made from premium, microwave-safe polyester fabric
- Four-corner design insulates bowls and protects hands
- Can withstand temperatures up to 400°F
- Use as a hot or cold bowl cozy, potholder, tray holder or trivet
- Each holder includes a hidden magnet for surface attachment
- Machine washable and dryer safe



Made from premium polyester fabric that can withstand up to 400°F of heat so you can protect your hands and countertops



Lippert cozy bowl holders will protect your hands from burning or freezing and keep your food warm or cold at the same time

**NEW**



2022107823 (bowls not included)

Part #	Includes	Width	Length	Color
2022107823	Four cloth protectors	8"	8"	Navy

# ROAD SIGN KITCHEN TOWEL & POTHOLDER SET

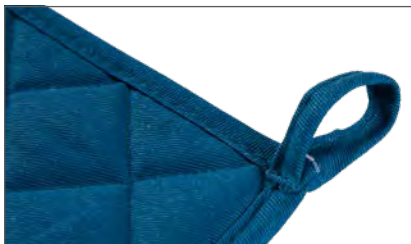
- Matching six-piece set of kitchen towels, dish cloths and potholders
- Unique road trip design
- Perfect for washing dishes and cleaning up spills
- Potholders can withstand temperatures up to 400°F
- Machine washable
- Makes a great gift for any camper or RV'er



**NEW**



Dish cloths feature a poly scour side for tough food residue



Potholders include a sewn loop for convenient hanging storage



2022107828

Part #	Includes	Print
2022107828	Two kitchen towels, two potholders and two dish cloths	Road signs



# RV CARGO & STORAGE

# FEATURED PRODUCTS



## Jack-IT® bike carriers

Haul your bikes using your A-frame trailer — saving you space to haul more from your hitch and giving you more visibility to your bikes.



## Kwiikee® cargo trays

Kwiikee customizable cargo trays make accessing storage so much easier. Simply slide out the tray and grab what you need.



## Under-chassis storage

These detachable storage boxes bolt onto the RV chassis and are perfect for cables, cleaning supplies and other camping items.

## PRODUCT INDEX



**162**  
Jack-IT Bike Carrying Systems



**164**  
Kwiikee® Super Slide Cargo Trays



**165**  
Kwiikee® Super Slide Trim Kits



**165**  
Cargo Tray Replacement Parts



**166**  
Kwiikee® Battery Storage Trays



**167**  
Schwintek TV Lift System



**167**  
Spare Tire Winch With Offset Cable



**168**  
Under-Chassis Storage Containers

# JACK-IT® BIKE CARRIER SYSTEM

- Mounts over the tongue jack and attaches directly to the A-frame on most travel and cargo trailers
- Carries up to two bikes by the wheels for balance, stability and ease of use
- Frees up space for additional cargo on the rear of the trailer
- Foam bumpers and SwayControl™ system enhance the rack's natural stability and protect the bike's finish
- NoMotion™ pins minimize wobble and can be padlocked for security
- Fits most adult and children's bike frames



429756



Allows you to carry your bikes on the front of your trailer, where there is the least bounce



Mounts over the tongue jack and attaches directly to you A-frame trailer

Part #	Description	Capacity	Attaches To
429756	Jack-It bike carrier system	80 lbs.	A-frame trailers

# HITCH-IT™ BIKE CARRIER SYSTEM

- Combines BikeBase® and BikeWing®
- Attaches to the trailer tongue tube on most A-frame travel and cargo trailers
- Fits most adult and children's bike frames



731138



Adjustable clamping brackets fit trailer tongue tubing sizes from 2" to 4" in width



Carries up to two bikes by the wheels for balance, stability and ease of use

Part #	Description	Capacity	Attaches To
731138	Hitch-It bike carrier system	80 lbs.	2" to 4" trailer tubes

# BIKEWING® BIKE CARRIER

- Requires Bump-It® or BikeBase® for use
- Foam bumpers and SwayControl™ system enhance the rack's natural stability and protect the bike's finish
- NoMotion™ pins minimize wobble and can be padlocked for security
- Fits most adult and children's bike frames



731137



Carries up to two bikes by the wheels for balance, stability and ease of use



Attaches to Bump-It® for towing vehicle applications (sold separately)



Attaches to BikeBase® for cargo and utility trailer applications (sold separately)

# BUMP-IT® RECEIVER ADAPTER

- Attaches the BikeWing® bike carrier to the trailer hitch on your vehicle
- Overall length of 22-1/2" with 17" of inside bike clearance
- Adjustable aluminum adapter fits most automobile and RV hitches



723359

# BIKEBASE® TONGUE ADAPTER

- Adjustable clamping brackets fit trailer tongue tubing sizes from 2" to 4" in width
- Attaches to the trailer tongue tube on most A-frame travel and cargo trailers
- Compatible with BikeWing® bike carrier to carry up to two bikes (sold separately)



731157

Part #	Description	Capacity	Attaches To
731137	BikeWing bike carrier	80 lbs.	Bump-It or BikeBase
723359	Bump-It receiver adapter	80 lbs.	Trailer hitch receiver
731157	BikeBase tongue adapter	80 lbs.	2" to 4" trailer tubes

# KWIKEE® SUPER SLIDE I CUSTOMIZABLE CARGO TRAYS

- 1,000 lb. capacity cargo hauler with roller-bearing action
- Ships with U-channel and L-bracket for trim and stiffener
- Fits almost any sub floor compartment
- A spring-loaded latch locks the slide in three positions
- Color-matched trim pieces available for the deck
- Width is defined by the size of the compartment
- Plywood tray and carpet cover not included
- Includes trim kit (if longer trim is needed, order and cut to fit)



370762



370688

Part #	Length	Height	Slide Directions	Capacity
370764	42"	2-1/4"	One-way	1,000 lbs.
370765	48"	2-1/4"	One-way	1,000 lbs.
370769	54"	2-1/4"	One-way	1,000 lbs.
370774	70"	2-1/4"	One-way	1,000 lbs.

# KWIKEE® SUPER SLIDE II CUSTOMIZABLE CARGO TRAYS

- Replacement KwikEE cargo tray with roller-bearing action for RVs
- Spring-loaded latch locks the slide
- Available in one and two-way configurations
- Plywood tray, carpet cover (not included) and trim kit (sold separately) are required to complete installation



370761



370762



Made with ball bearings for a smooth sliding experience, you can access your belongings in one swift motion



Our cargo trays for RVs come with heavy-duty weight capacities, which means they can easily hold all your essential camping gear



Our sliding RV cargo trays allow for quick and convenient access to your stored items

Part #	Length	Height	Slide Directions	Capacity
370782	42"	6.22"	One-way	800 lbs.
370783	48"	6.21"	One-way	800 lbs.
370785	54"	6.22"	One-way	800 lbs.
370787	60"	6.11"	One-way	800 lbs.
370761	80"	6.187"	Two-way	800 lbs.
370762	90"	6.187"	Two-way	800 lbs.



## KWIKKE® SUPER SLIDE II TRIM KITS

- Customizable sizing for the perfect fit
- Kit includes two end pieces, three mid-rails, 40 rivets and jig kit
- Plywood and carpet not included
- Order trim kit to desired compartment width less 4" for a perfect fit in your RV or travel trailer



Part #	End Piece Length	Compartment Opening
370676	24"	28"
370678	27"	31"
370680	30"	34"

Part #	End Piece Length	Compartment Opening
370682	32"	36"
370684	33"	37"
370690	37"	41"

Part #	End Piece Length	Compartment Opening
370692	39"	43"
370755	44"	48"
370759	51"	55"

## KWIKKE® CARGO TRAY REPLACEMENT PARTS



379870 (fridge not included)

Part #	Description	Dimensions	Includes	Capacity
370666	Replacement ball slide	16" length	One slide	200 lbs. per pair
370793	Replacement heavy-duty slide assembly	22" length	Two slides and installation hardware	200 lbs.
370794	Replacement heavy-duty slide assembly	22" length	Two slides and installation hardware	400 lbs.
366404	Replacement bearing ball	1-3/8" diameter	1-3/8" diameter ball bearing	--
379870	Replacement refrigerator / freezer tray	31-1/2" x 20-1/8" x 2-1/2"	Assembled tray	200 lbs.
370796	Replacement spring latch for Super Slide I	2-1/2" x 1/16"	One latch	--



# REPLACEMENT KWIKEE® BATTERY TRAY FOR RVs

- Available in 130 lb. and 200 lb. weight capacities
- Holds one to eight batteries
- Ships fully assembled



Part #	Outside Dimensions			Inside Dimensions		Capacity
	Width	Length	Height	Width	Length	
<b>Standard-Duty</b>						
366330	7-1/2"	12-1/8"	2-1/2"	7-3/4"	12-5/8"	130 lbs.
366485	14-9/16"	15-1/2"	3-5/16"	13"	14-1/4"	130 lbs.
366502	14-9/16"	16-3/8"	3-3/8"	13"	15-1/8"	130 lbs.
366345	15-3/8"	13"	2-1/2"	14"	12-1/8"	130 lbs.
366486	15-1/2"	15-1/8"	2-3/4"	13-7/8"	13"	130 lbs.
366333	15-1/2"	15-1/8"	3-3/8"	14"	13"	130 lbs.
366357	16"	11-7/16"	2-1/2"	14-3/4"	12-7/64"	130 lbs.
<b>Heavy-Duty</b>						
366329	15-13/16"	24"24"	3-3/16"	13-38/16"	21-3/8"	200 lbs.
366342	16-9/16"	16-13/16"	3-3/16"	14-1/4"	14-1/4"	200 lbs.
366328	16-15/16"	22-5/8"	3-3/16"	14-3/8"	21"	200 lbs.
366332	22-1/4"	15-1/4"	3-3/16"	20"	13-7/8"	200 lbs.
366499	24-9/16"	18-5/16"	3-3/16"	22-1/8"	17-1/8"	200 lbs.
366331	25-1/8"	24-13/16"	3-3/16"	22-1/8"	17-1/8"	200 lbs.

# REPLACEMENT BATTERY TRAY STRAP

- For KwikEe® battery tray assemblies
- Adjustable buckle for easy access
- Includes metal hooks at each end
- Battery tray not included



Part #	Length	Width
366510	33"	3/4"

366510



## SCHWINTEK TV LIFT SYSTEM

- Helps you save space in your RV
- Easy to install and program
- Smart technology shuts the motor off in case of obstruction



309690

Part #	Fits	Slide Rack	Capacity	Includes
309690	30" TVs	24"	75 lbs.	Includes backing plate, lift controller and lift switch

## REPLACEMENT SPARE TIRE WINCH WITH OFFSET CABLE

- Can be used on RVs, trailers and trucks with enough clearance to store additional spare tire
- Various lengths available
- Bolts onto chassis / frame for easy access to the spare tire
- Using a crank handle, spare tire can be stored underneath the chassis
- Mounting hardware and crank not included



159056

Part #	Includes
159056	Winch and cable only

# UNDER-CHASSIS STORAGE CONTAINERS

- Available in three configurations
- Each storage bin can support up to 100 lbs.
- Spring-loaded latch allows storage compartment to easily slide in and out
- Rust-inhibitive coating on steel parts
- Includes two detachable molded storage boxes with lids with mounting hardware
- Optional trim kit sold separately



175180



125460



236558



Each bin can hold up to 100 lbs. of gear and is made with a rust-inhibitive coating on steel part



Designed with a spring-loaded latch system that slides the bin in and out with ease



Under-chassis storage bins help you free up space in your RV and tow vehicle

Part #	Size	Width	Length	Height	Capacity
175180	Standard double bin	17"	27-7/8"	8"	100 lbs. per bin
125460	Standard double bin with spare tire carrier	17"	27-7/8"	8"	100 lbs. per bin
236558	Large double bin	19"	48"	9"	100 lbs. per bin





**RV  
ELECTRONICS**

# FEATURED PRODUCTS



## One Control® hot spot prep

Designed for RVs prepped for a Lippert OneControl Hotspot, this RV Wi-Fi kit lets you enjoy your own personal mobile hotspot.



## Tire Linc® system

Easy-to-install, always-on and manageable right from your smartphone, Tire Linc® is the clear choice for your RV.



## OneControl® app

Lippert OneControl smart RVing technology helps turn your RV into an intuitive, intelligently connected vehicle that can be monitored right from your smartphone or tablet.

## PRODUCT INDEX



**172**  
One Control®  
Hot Spot Prep



**173**  
Tire Linc®  
Systems



## ONECONTROL<sup>®</sup> HOT SPOT PREP KIT

- Direct Link Technology provides the fastest 4G LTE connectivity available, up to 150 Mbps
- Externally mounted weatherproof antennas deliver extended WiFi coverage
- Allows multiple connected devices to operate simultaneously with no connectivity interruptions
- Eliminates the need to rely on slow campground WiFi
- No need to use your personal device as a hotspot
- SIM card and plan activation information included
- Provides a secure, encrypted connection for safety and reliability
- Four Ethernet ports let you connect additional devices



This kit equips your RV with the fastest 4G LTE connectivity available — plus, the roof-mounted antennas increase signal strength



With the OneControl Hotspot, you can have multiple devices connected to your network without sacrificing speed and reliability



Designed for RVs with a OneControl hotspot prep plate

Part #	Includes	Compatibility
805592	4G roof mount antenna, two WiFi antennas, cellular hotspot assembly, two 12" antenna cables, two 12V DC power supplies, SIM card and plan activation information	Forest River Cherokee travel trailers and Cherokee, Wolf Pack, Wolf Pup, Alpha Wolf, Arctic Wolf, Sabre and Rogue 5th wheels

# TIRE LINC<sup>®</sup> SYSTEMS

ONEControl<sup>®</sup>

BY LIPPERT

- Monitors and alerts drivers of high or low tire pressure and temperature
- Easy, do-it-yourself installation
- Works with OneControl<sup>®</sup> app on iOS and Android devices
- OneControl<sup>®</sup> app allows users to enter the manufacturer's suggested PSI range for each tire
- Can track tires on additional towed vehicles or large RVs with more than four tires
- Can monitor up to 20 tires simultaneously (additional sensors sold separately)
- Repeater technology strengthens wireless signal in order to easily reach the tow vehicle
- Sensors come with replaceable CR1632 batteries



2020106863



2020107499



2020106299



Sensors update pressure and temperature several times per minute while your RV is moving and every 15 minutes while parked



Alert indicator provides visual and audio cues so you know your vehicle's tire pressure and temperature without having the app on



Manage sensors, set tire pressure ranges, get notifications and view alerts all from your smartphone with the OneControl app

Part #	Description	Includes
2020106863	Tire Linc tire pressure and temperature monitoring system	Repeater, repeater dock, four sensors, installation hardware
2020107499	Tire Linc alert indicator kit	Indicator remote, charger cord, installation hardware
2020106299	Tire Linc tire sensor kit	Two sensors





**RV  
FRESH WATER**

# FEATURED PRODUCTS



## | Tankless water heater

We listened to our customers and incorporated everything you wanted into this advanced tankless water heater.



## | Flow Max™ RV toilet

With powerful flushing capabilities, a ceramic bowl and a residential seat size for ultimate comfort, look no further than Flow Max RV toilet.



## | Flow Max™ galley faucets

Revitalize your RV or residential kitchen or bathroom space with a sleek, black or stainless steel faucet from Lippert™.

## PRODUCT INDEX



**176**  
Tankless  
Water Heater



**178**  
Floe Drain  
Down Systems



**178**  
Flow Max™  
Water Pumps



**179**  
Flow Max™  
RV Toilet



**179**  
Water  
Purification  
Systems



**180**  
Standard  
Bathtubs



**180**  
Shower &  
Bathtub Wall  
Surrounds



**182**  
Shower  
Pans



**183**  
Bathroom  
Sinks



**183**  
Kitchen  
Sinks



**186**  
Flow Max™  
Galley Faucets



## GIRARD® TANKLESS WATER HEATER

**NEW**

- 42,000 BTUs provide optimal performance for RV plumbing
- 12V power that operates at less than 3-amps
- Equipped with quiet, brushless motor
- Onboard microprocessor monitors inlet water flow, inlet and outlet temperature
- Microprocessor regulates the burner to maintain set hot water temperature
- Freeze protection enables reliable winter use
- No LP gas lines or special plumbing required
- Compact design fits in any tank water heater cut-out opening
- Trim ring and door kits sold separately



2022107534



At 42,000 BTUs, this continuous hot water heater provides optimal performance for RV plumbing



Interior wall-mounted digital controller displays the operating functions and allows for temperature setting adjustments



Fits in any tank water heater cut-out opening and weighs 23 lbs.

Part #	Description	Specs	Width	Height	Depth	Color
2022107534	Tankless water heater	6-gallon	12-1/2"	12-1/2"	15-1/2"	White

## GIRARD® TANKLESS DOOR KIT TRIM RINGS

- For a sleek and finished look around your water heater door
- Compatible with Girard RV water heater door installation kit
- Available in white or black



2022107547



2022107546

White #	Black #	Champagne #	Silver #	Specs	Width	Height
2022107547	2022107546	2022107550	2022107548	6-gallon	17-1/2"	17-1/2"

## GIRARD® TANKLESS WATER HEATER DOOR KITS

- Conversion door for Suburban, Atwood and Dometic RV water heaters
- Hinged door design and sliding latch for easy access
- Available in multiple colors
- Trim ring option available (sold separately)



2022107538



2022107540



2022107536

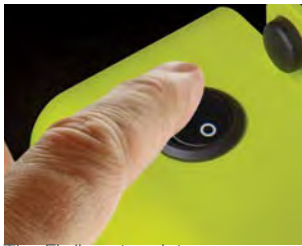
Part #	Description	Specs	Width	Height	Color
2022107535	Door kit, small (Suburban)	6-gallon	15"	15"	White
2022107536	Door kit, small (Suburban)	6-gallon	15"	15"	Black
2022107549	Door kit, small (Suburban)	6-gallon	15"	15"	Champagne
2022107545	Door kit, small (Suburban)	6-gallon	15"	15"	Silver
2022107537	Door kit, medium (Atwood / Dometic)	6-gallon	18-1/2"	15"	White
2022107539	Door kit, medium (Atwood / Dometic)	6-gallon	18-1/2"	15"	Gray
2022107538	Door kit, medium (Atwood / Dometic)	6-gallon	18-1/2"	15"	Black
2022107540	Door kit, large (Atwood / Dometic / Suburban)	10-gallon	18-1/2"	18-1/2"	White
2022107541	Door kit, large (Atwood / Dometic / Suburban)	10-gallon	18-1/2"	18-1/2"	Black

# FLOE DRAIN DOWN SYSTEMS

- 115 V and 12 Volt DC available
- Flushes stale, stagnant water out of pipes
- Helps prevent frost damage during winter months
- Saves time and money winterizing RV or boat with a professional
- Drains water system in minutes
- Easy, DIY installation
- NSF 61 and UL verified and approved
- Backed by a 1-year warranty



809127



The Floe system lets campers drain their water pipes quickly, easily and conveniently



Easily installs in a boat, RV or other mobile vehicle; no need to dismantle the water system



Run your water until your tank is empty. Once you've finished, turn on Floe, and open each faucet, one at a time, until every water line is drained. Repeat as needed to completely empty each water line



Part #	Volts	Length	Width	Height
809128	115 V AC	7-11/16"	6-11/16"	2-11/32"
809127	12V DC	7-11/16"	6-11/16"	2-11/32"

# FLOW MAX™ WATER PUMPS

- Self-priming, quiet operation
- Available in 12V and 115V versions
- Average leading pressure of 50 PSI with an average of three gallons-per-minute
- Certified to NSF / ANSI 372 by CSA
- Heavy-duty, corrosion-resistant motor
- Pump can run dry without incurring damage
- 2-year limited warranty



689052



689054

Part #	Description	Volts	Capacity	Power Supply
689054	Water pump	115	3.0 GPM at 45 PSI	1.5 A
689052	Water pump	12	3.0 GPM at 45 PSI	15 A
689051	Water pump (raw)	12	3.0 GPM at 45 PSI	15 A
689059	Screen filter and connectors	--	--	--



689059

# FLOW MAX™ RV TOILET

**NEW**

- 100% white ceramic elongated bowl
- Full-size residential seat for user comfort
- Fully enclosed rim design prevents spills
- Powerful and efficient flush with full bowl coverage
- Easy-to-maintain gravity flush system
- Compatible with competitor hand sprayers



Features an easy-close seat and lid, so you can drop them without worrying about wear and tear on the toilet bowl



Intuitive foot pedal is easy to use; simply press the foot pedal down halfway to add water to bowl and all the way to flush



2022113192

Part #	Profile	Width	Seat Height	Open Height	Depth	Color
2022113192	Standard 18"	14-1/2"	18"	36"	22"	White

# ACUVA WANDERER 2.0 RV WATER PURIFIER

**NEW**

- Specifically designed for RVs and boats
- Improves drinking water quality, taste and odor
- Mercury-free to eliminate contamination risks
- Reduces the need for single-use plastic water bottles
- Low maintenance with just one pre-filter to replace as needed
- Designed to run on a 12V battery source
- 0.53 gal/minute (2 L/minute) flow rate



This water purification system pre-filters water to remove lead, heavy metals, chlorine, mercury, carcinogens and other contaminants, providing safe drinking water



Makes water safe to drink by removing bacteria and impurities through UV-LED water purification technology, while keeping healthy minerals intact



2022071772

Part #	Description	Volts	Flow Rate
2022071772	Acuva Wanderer 2.0 RV Water Purifier	12	.53 GPM

# STANDARD BATHTUBS

- Multiple drain configurations: left, right or center
- Made from scratch-resistant ABS acrylic
- Color options: white, parchment or almond
- Engineered to fit unique sizes of RV bathrooms or smaller homes
- Acrylic is 20-25% lighter than fiberglass



White #	Parchment #	Almond #	Drain	Size
209648	209369	--	Center	24" x 36"
209653	209372	--	Left	24" x 36"
209658	209376	--	Right	24" x 36"
209661	209379	--	Center	24" x 38"
--	209385	--	Center	24" x 40"
209673	209388	--	Left	24" x 40"
209678	209392	--	Right	24" x 40"
209681	--	--	Left	24" x 46"
209683	--	--	Right	24" x 46"
209712	--	208946	Left with apron	27" x 54" x 16"
209716	--	208948	Right with apron	27" x 54" x 16"

# ONE-PIECE SHOWER & BATHTUB WALL SURROUNDS

- Multiple drain configurations: left, right or center
- Made from scratch-resistant ABS acrylic
- Color options: white, parchment or almond
- Engineered to fit unique sizes of RV bathrooms or smaller homes
- Acrylic is 20-25% lighter than fiberglass



White #	Parchment #	Almond #	Type	Finish	Size
--	209463	--	Shower	Picture frame	24" x 36" x 62"
210392	--	--	Shower	Tile	24" x 36" x 68"
210316	--	--	Shower	Picture frame	24" x 40" x 59"
210394	209512	--	Shower	Picture frame	24" x 40" x 62"
210398	--	--	Shower	Tile	24" x 40" x 62"
2021129611	--	--	Shower	Herringbone	24" x 40" x 63"
210303	209459	--	Bathtub	Picture frame	24" x 36" x 56"
--	209461	--	Bathtub	Picture frame	24" x 36" x 59"
210305	--	--	Bathtub	Picture frame	24" x 36" x 59"
210307	--	--	Bathtub	Picture frame	24" x 36" x 62"
--	209509	--	Bathtub	Tile	24" x 36" x 68"
--	209464	--	Bathtub	Picture frame	24" x 38" x 56"
--	209468	--	Bathtub	Picture frame	24" x 40" x 56"
306207	306206	--	Bathtub	Tile	24" x 40" x 58"
210400	--	209025	Bathtub	Tile	27" x 54" x 58"



## THREE-PIECE BATHTUB WALL SURROUND

- Made from scratch-resistant ABS acrylic
- Comes in white
- Engineered to fit unique sizes of RV bathrooms or smaller homes
- Acrylic is 20-25% lighter than fiberglass

Part #	Finish	Size	Color
209804	Tile	54" x 28" x 65"	White



209804

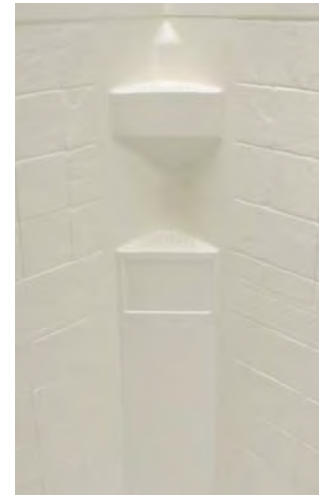
## NEO ANGLE SHOWER SURROUNDS

- Made from scratch-resistant ABS acrylic
- Color options: white or parchment
- Engineered to fit unique sizes of RV bathrooms or smaller homes
- Acrylic is 20-25% lighter than fiberglass

White #	Parchment #	Finish	Size
210324	--	Picture frame	32" x 32" x 68"
306204	306202	Slate	34" x 34" x 64"
306205	306203	Slate	34" x 34" x 68"
--	306201	Tile	34" x 34" x 68"



21034



306203

## GARDEN TUB SURROUNDS

- Made from scratch-resistant ABS acrylic
- Color options: white or almond
- Engineered to fit unique sizes of RV bathrooms or smaller homes
- Acrylic is 20-25% lighter than fiberglass

White #	Almond #	Finish	Size
210410	209029	Tile	40" x 54" x 58"



209029

## REPLACEMENT PLASTIC RIVET

Part #	Length	Color
210278	1"	White



210278



# SHOWER PANS

- Multiple drain configurations: left, right or center
- Made from scratch-resistant ABS acrylic
- Color options: white or parchment
- Engineered to fit unique sizes of RV bathrooms or smaller homes
- Acrylic is 20-25% lighter than fiberglass



210375

Part #	Parchment#	Drain	Size
210367	--	Center	24" x 32"
210369	209490	Left	24" x 32"
210371	--	Right	24" x 32"
210373	342922	Left	24" x 36"
210375	209496	Right	24" x 36"
210377	209498	Left	24" x 40"
210379	209500	Right	24" x 40"
210383	--	Right	24" x 46"



342922

# CORNER SHOWER PANS

- Includes 10-1/2" apron with access panel
- Made from scratch-resistant ABS acrylic
- Color options: white or parchment
- Engineered to fit unique sizes of RV bathrooms or smaller homes
- Acrylic is 20-25% lighter than fiberglass



298087

325246

White #	Parchment #	Drain	Size
325246	298087	Center	27" x 27"

# STANDARD SHOWER PAN

- Residential-style with apron
- Made from scratch-resistant ABS acrylic
- Engineered to fit unique sizes of RV bathrooms or smaller homes
- Acrylic is 20-25% lighter than fiberglass



209110

Part #	Drain	Size	Color
209110	Right	28" x 54"	Almond

# NEO ANGLE SHOWER PANS

- Multiple drain configurations: left, right or center
- Made from scratch-resistant ABS acrylic
- Color options: white or parchment
- Engineered to fit unique sizes of RV bathrooms or smaller homes
- Acrylic is 20-25% lighter than fiberglass



209744



301241

White #	Parchment #	Drain	Apron	Size
--	209414	Left	6-5/8"	32" x 32"
209744	209415	Right	6-5/8"	32" x 32"
209795	301241	Center	5"	34" x 34"
209797	301242	Center	9-1/2"	34" x 34"

# BATHROOM SINKS

- Replacement lavatory sink for RV or home
- Available colors: parchment or white
- Made from scratch-resistant ABS acrylic
- ABS is 20-25% lighter than fiberglass
- Pairs well with bathroom faucets by Lippert



209358

Part #	Faucet Holes	Basin Size	Color
209354	3	14" x 17"	Parchment
209358	3	17" x 20"	Parchment
209635	3	17" x 20"	White

# OUTDOOR KITCHEN SINKS

- Scratch-resistant ABS acrylic
- Space-saving design is perfect for RVs or smaller kitchens
- Channel grooves prevent sitting water in the sink bowl
- ABS is 20-25% lighter than fiberglass



209351



209356

Part #	Faucet Holes	Basin Size	Color
209351	No faucet ledge	13" x 15"	Parchment
209630	No faucet ledge	13" x 15"	White
209356	2	13" x 15"	Parchment



## INDOOR KITCHEN SINKS

- Made from 304-grade stainless steel or scratch-resistant ABS acrylic
- Space-saving design is perfect for RVs or smaller kitchens
- Channel grooves prevent sitting water in the sink bowl
- ABS is 20-25% lighter than fiberglass



344157



809032



808488

Part #	# of Bowls	Faucet Holes	Basin Size	Color / Finish
344156	2	3	13" x 15"	Parchment
344157	1	2	15" x 15"	Parchment
809029	2	No faucet ledge	25" x 17"	Parchment
808488	2	No faucet ledge	25" x 17"	Stainless steel
809030	2	No faucet ledge	25" x 17"	White
209688	2	3	25" x 17"	White
809033	1	No faucet ledge	25" x 17"	Stainless steel
809031	1	No faucet ledge	25" x 17"	Parchment
809032	1	No faucet ledge	25" x 17"	White

# STAINLESS STEEL SINKS

- Channel grooves prevent sitting water in the sink bowl
- Stainless steel material makes for easy clean up and an updated appearance
- Standard 3-1/2" drain opening is compatible with most garbage disposals and drain baskets
- 20-gauge T-304 stainless steel meets or exceeds industry standards mandated by IAPMO



426017



388414



421572



388412



389911



389910



388415



Stainless steel material makes for easy clean up and an updated appearance



Coved corners for a sleek look and easy cleaning



Standard drain opening is compatible with most garbage disposals and drain baskets

Part #	Style	Size	Mount type
426017	Trough	14" x 10" x 6"	Top mount
388414	Double bowl	25" x 15" x 7"	Top / under mount
421572	Single bowl square	25" x 15" x 7"	Under mount
385314	Double bowl level break square	27" x 16" x 7"	Under mount
389911	Double bowl level break square	27" x 16" x 7"	Under mount
388412	Double bowl	27" x 16" x 7"	Top / under mount
385313	Single bowl square	27" x 16" x 7"	Under mount
389910	Single bowl square	27" x 16" x 7"	Under mount
388415	Offset double bowl	32" x 17" x 7"	Under mount



## FLOW MAX™ GALLEY FAUCETS

- Single handle design offers simple operation and gives your faucet a low-profile aesthetic
- Our faucets are easy to install so you can upgrade your kitchen effortlessly
- All of our residential and RV faucets are constructed from 304-grade stainless steel for added strength and durability
- Stylish black or stainless steel finish to provide the RV interior with a high-end, modern look
- Flexible, pull-down head faucet with toggle that allows you to move your faucet head, right where you need it (select models)
- Faucet toggle gives you the freedom to choose either a spray or stream setting to maximize your cleaning ability
- Compatible with our lineup of stainless steel sinks, Lippert makes it easy to transform your kitchen with style and ease



Stylish black or stainless steel finish to provide the RV interior with a high-end, modern look



Flexible, pull-down head faucet with toggle that allows you to move your faucet head, right where you need it (select models)



Compatible with our lineup of stainless steel sinks, Lippert makes it easy to transform your kitchen with style and ease

# FLOW MAX™ GALLEY FAUCETS



719324



2021090601



719325



2021090597



2022007782



2021090599



2022007783



2021090602



719333



2021090600



719323



2021090598



2022109922

**NEW**



2021025928



2021025929

Stainless Steel #	Matte Black #	Stainless Steel / Matte Black #	Faucet Style	Pull-Down Spout	Cartridge Replacement #
719324	2021090601	--	Curved gooseneck	No	2021025928
719325	2021090597	--	Square gooseneck	No	2021025928
2022007782	2021090599	--	Waterfall	No	2021025928
2022007783	2021090602	--	Pull-down sprayer	Yes	2021025929
719333	2021090600	--	Bullet pull-down sprayer	Yes	2021025928
719323	2021090598	2022109922	Spring spout	Yes	2021025928



# RV MAINTENANCE

# FEATURED PRODUCTS



## RV cleaners

From washing and waxing to cleaning and conditioning, we have the products you need to keep your rig looking good as new.



## RV tool kit

You never know when you'll have to do a repair job on the fly. Save a trip to the store with a tool kit that's fully equipped with all the essentials.



## Power pro max™

Clean like a pro with the Power Pro Max portable pressure washer that lets you clean where you want, when you want, hassle-free.

## PRODUCT INDEX



**190**  
RV  
Cleaners



**191**  
RV  
Tool Kit



**191**  
360 Siphon®  
Roof Vent Caps



**192**  
Power Pro Max™  
Pressure Washer



**193**  
Flex Guard  
Slide-Out  
Protection kit



**193**  
Slide-Out  
Replacement  
Parts



**196**  
Alpha Systems  
Tapes



**200**  
Alpha Systems  
Sealants



**202**  
Alpha Systems  
Adhesives



**204**  
SuperFlex Roof  
Installation Kits



**207**  
Chassis Shield®  
Rust Inhibitor





## RV CLEANERS

Lippert offers a variety of cleaning products for RV and marine applications. From washing and waxing your exterior to cleaning and conditioning your interior upholstery, we have the products you need to keep your rig or boat looking good as new.

**NEW**



Part #	Description	Size
2022013794	One step wash and wax	2L
2022013805	Black streak remover	32-oz.
2022013808	Mold and mildew stain remover	32-oz.
2022013910	Rubber roof cleaner	32-oz.
2022013916	All purpose cleaner	32-oz.
2022013920	Bathroom cleaner	32-oz.

Part #	Description	Size
2022013914	Awning cleaner	32-oz.
2022013922	Carpet & upholstery cleaner	32-oz.
2022013924	Leather & vinyl conditioner	32-oz.
2022013927	Fiberglass wax	32-oz.
2022013931	Water & stain repellent	32-oz.
2022013937	Metal cleaner & polish	32-oz.

# RV TOOL KIT

**NEW**

- Essential tool kit for any new or experienced RV owner
- 15 essential tools and assorted parts for quick-fix jobs
- Makes a perfect housewarming gift for new RV owners
- Includes a durable tool bag

## Included tools

- Multimeter
- Test light
- Led headlamp
- Tire gauge
- Wire stripper multi-tool
- SAE allen wrench set
- Ratcheting screwdriver set
- Fuse set
- Box of wire connectors
- Box of assorted screws
- Utility knife
- Zip tie bundle
- Rolls of electrical tape
- Roll of duct tape
- Pack of KN95 face masks

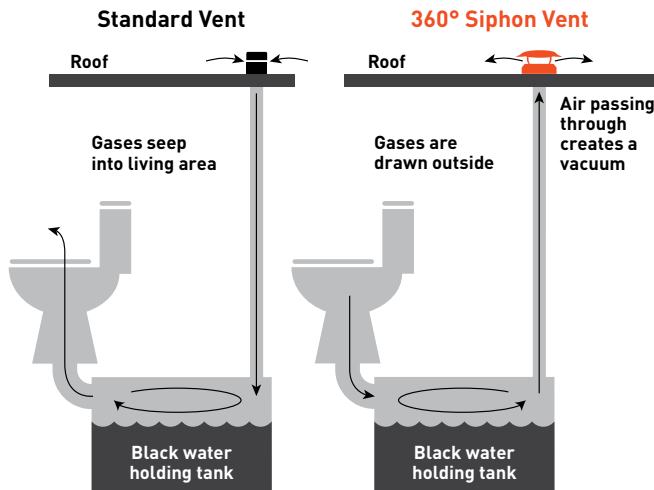


2022000853

Part #	Description
2022000853	Lippert RV tool kit

# 360 SIPHON<sup>®</sup> ROOF VENT CAPS

- Prevents gas and odors from invading living space
- Works in any wind condition and speeds up waste breakdown, eliminating the need for chemicals
- Made from durable polycarbonate (black or white)
- Sophisticated, patented design has no moving parts making maintenance and installation easy
- Built-in bug screen keeps bugs out of the RV



389380

389381

Part #	Color
389380	Black
389381	White

The 360 Siphon creates an updraft to exhaust odors through the roof vent, before they invade the RV living space



## POWER PRO MAX™ PORTABLE PRESSURE WASHER

- Battery powered, no fuel or power cords required
- Fast, three-hour charging time per battery
- Includes long and rotatable nozzles
- 6-in-1 spray attachment and 25 oz. soap bottle
- Includes two 40V lithium ion batteries
- Runs up to 26 minutes on high pressure and 35 minutes on low
- Cannot be connected to a garden hose



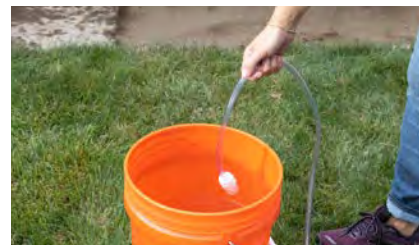
2020217218



Lightweight, portable design for at-home cleaning jobs or for spraying down camping gear, boats, piers, ATVs and more



6-in-1 spray attachment with long and short rotatable spray nozzles allow you to choose your cleaning style for every job



No hose, fuel or power cords required; simply drop your line in any water source and start cleaning

Part #	Run Time	Pressure	Weight
2020217218	26 mins on / 35 mins on low	520 max PSI	3.6 lbs.



## FLEX GUARD SLIDE-OUT PROTECTION KIT

- Protects slide-out plumbing, wiring and hoses during extension and retraction of slide room
- Compatible with any slide-out system that uses a 1/4" steel rod or swing arm for the same application
- Comes with 8" mounting post with washer and five flex guard clips
- Mounting hardware included

Part #	Configuration	Length	Width
1346271	Single	50-1/2"	3-1/4"
1346281	Double	50-1/2"	3-1/4"
1346291	Triple	50-1/2"	3-1/4"



## SLIDE-OUT MOTORS & ACTUATORS

- Used for through-frame slide-outs
- Direct replacement components



Part #	Description	Gear Assembly	Manufacturer
138449	D-300 motor	--	Klauber
287298	High torque motor	500:1	--
130057	N-500 motor	--	Klauber
125802	Room motor without actuator	18:1	Tuson
132682	Room motor without actuator	18:1	Tuson
136373	Room motor without actuator	28:1	Venture
117292	Room motor with driveshaft	18:1	Venture
119128	Room motor with 24" actuator	18:1	Venture
122747	Room motor with 32" actuator	18:1	Venture
342328	Room actuator 38", 1-1/2" bore without motor	--	Gray
168956	Room motor with 40" actuator	18:1	Venture
145595	Room actuator 40" - without motor	--	Venture

# IN-WALL SLIDE-OUT REPLACEMENT PARTS

- Used for in-wall slide-outs
- Direct replacement components



238991

211852



320500



364262

Part #	Description
247768	15' controller to motor harness - male to female
229755	20' controller to motor harness - male to female
238991	25' controller to motor harness - male to female
229756	30' controller to motor harness - male to female
238992	35' controller to motor harness - male to female

Part #	Description
211852	Controller V-sync II for Schwintek
320500	J38 roller for Schwintek
364262	Slimrack® n-wall® slide-out motor with brake
236575	Slide-out motor; IG-42 - 10mm
379060	Standard bearing block kit

# ELECTRICAL SLIDE-OUT REPLACEMENT PARTS

- Momentary switch with inline connection (#120639)
- Replacement switch for above floor and through-frame slide-outs (#117460, #117461)
- Cost-effective, simple solution for reversing polarity of permanent magnet DC motors (#118246)
- Replacement controller for above floor and through-frame slide-outs (#135666)



120639



117460

Part #	Description
120639	Hydraulic slide-out interior in / out switch
117460	Electric slide-out switch assembly (black)
117461	Electric slide-out switch assembly (white)
118246	Polarity reversing solenoid by trombeta
135666	Slide-out controller 10665



118246



135666

# HYDRAULIC SLIDE-OUT CYLINDER

- Replaces hydraulic cylinder for Lippert slide system
- Faster than electric slide-out systems

Part #	Bore	Length	Stroke
339031	1-1/2" Bore	39"	24"



339031

# HYDRAULIC SLIDE-OUT REPLACEMENT PARTS

- Direct replacement components



281331



324869



123356



140409

Part #	Description
281331	2 X 2 gear pack without roll pins assembly - 18-tooth
324869	2.5 X 2.5 Gear pack - without roll pins assembly - 18-tooth
123356	2.5 X 2.5 Heavy duty gear pack with tubing - 15-tooth
140409	2 X 3 gear pack - 15-tooth
116658	Crown gear for slide-out mechanisms - 26-tooth
118353	Bearing for above floor slide-out; 3/8 - 24 x 1.375
103480	Slide-out plastic wear tab, universal
122840	Slide-out stop can assembly, regular



116658



118353



103480



122840

# HYDRAULIC SLIDE-OUT REPLACEMENT PARTS

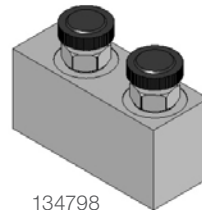
- Direct replacement components



177094



142927



134798



134993

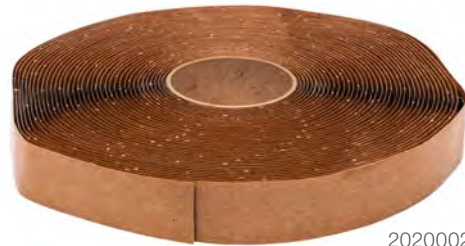
Part #	Description
177094	Hydac cartridge valve
142927	Pressure switch (nason) - 2150 psi
134798	Two room standard mirc motorized
366267	Coupling, 3/4 hex
368840	Gear spur - 14.5 PA 2" pd x 1.00" - 24-Tooth
367309	Gear spur pm heat treated - 24-tooth

Part #	Description
378025	Pin, coiled .25 X 1.50
368023	3 X 3 inner roller
368841	Roller - .75" ID 2.91" OD x.63"
367145	Room lock - left lock - ext mnt
367159	Room lock - right lock - ext mnt
134993	Slide-out slicker (2-pack) - 40" x 5"



## ALPHA SYSTEMS Q130 NON-TRIMMABLE BUTYL TAPE

- Q130 Butyl tape provides optimal levels of adhesion, elongation and tensile strength
- Great for weatherproofing RVs and boats, roof seam sealing and duct sealing
- Excellent resistance to water, weather, and air intrusion
- Adheres well to all non-porous substrates
- 100% solid content and contains zero VOCs
- Can be used in temperatures from -5° to 120°F
- 1-year warranty



2020002287



Simply press on to a clean surface, take off backing, then press the second surface on

Our butyl tape is 100% VOC free with no special safety requirements for installation

Part #	Thickness	Width	Length	Case Qty	Color
2020002287	1/16"	3/4"	45'	20	Black
2020002258	1/16"	3/8"	45'	28	White
2020002317	1/8"	1"	30'	16	Black
2020002259	1/8"	1"	30'	16	White
2020002321	1/8"	1/2"	30'	24	Black
2020002261	1/8"	1/2"	30'	24	White
2021015314	1/8"	1-1/2"	30'	12	Black
2020002260	1/8"	1-1/2"	30'	12	White
2020002319	1/8"	1-1/4"	30'	12	Black
862403	1/8"	3/4"	30'	20	Gray

Part #	Thickness	Width	Length	Case Qty	Color
2020002323	1/8"	3/4"	30'	20	Black
862405	1/8"	3/4"	35'	1	White
2020002326	3/16"	1"	20'	16	Black
2020002263	3/16"	1"	20'	16	White
2020002328	3/16"	3/4"	20'	20	Black
2020002283	3/16"	3/4"	20'	20	White
2020002342	3/32"	1-1/2"	35'	12	Black
2020002284	3/32"	1-1/2"	35'	12	White
2020002343	3/32"	3/4"	35'	20	Black
2020002286	3/32"	3/4"	35'	20	White



# ALPHA SYSTEMS Q180 TRIM GRADE BUTYL TAPE

- Great for boats and RVs
- Creates a weather-tight, waterproof seal when compressed between two surfaces
- Can be easily trimmed, no blade needed
- Adheres to all metals, fiberglass, wood, glass, plastic, and most painted surfaces
- Will not expand or contract in extreme temperatures

Part #	Thickness	Width	Length	Case Qty
2020328717	1/8"	3/4"	30'	20
2020328716	1/8"	1"	30'	16

Part #	Thickness	Width	Length	Case Qty
2020328718	1/8"	1-1/2"	30'	12
2020328719	3/16"	1"	20'	16

# ALPHA SYSTEMS ALPHABOND TPO TAPE

- Specially formulated for RV and roofing applications
- Used to seal roof joints and seams, as well as tears, punctures, leaks and other damage
- Ideal for flashing applications, this tape features a UV-stable TPO facer
- Adheres to wood, metal, fiberboard, ISO board and concrete, as well as EPDM, TPO, PVC and mixed elastomer roofing membranes
- 100% solid content and contains zero VOCs
- Applicable in temperatures from -10° to 160°F



2020002412



862408

Part #	Width	Length	Quantity	Color
2020002412	2"	50'	Case of 12	Black
2020002416	2"	50'	Case of 12	White
862406	3"	50'	1 roll	Black

Part #	Width	Length	Quantity	Color
862408	3"	50'	1 roll	White
862409	4"	10'	1 roll	Black
862410	4"	10'	1 roll	White

# ALPHA SYSTEMS QFT FLEECE TAPE

- Longer life cycle than butyl, acrylic and asphalt-based adhesive tapes
- For waterproofing and building envelope applications, as well as seam, endcap and joint coverings
- Instantly adheres to wood, metal, fiberboard, ISO board, concrete, and other substrates
- Lightly coat with paint and liquid adhesives to form a waterproof seal
- Easy, peel-and-stick installation
- 100% solid content and contains zero VOCs
- Applicable in temperatures from -10° to 160°F



2020002376

Part #	Width	Length	Case Qty	Color
2020002376	2"	90'	8	White
2020002377	3"	90'	8	White





# ALPHA SYSTEMS Q202 & Q299 MYLAR-POLY BACKED TAPE

- 'No edge' finish (Q299 only)
- 1.4 mil transparent Mylar facer permanently anchored to 30 mils of butyl adhesive
- Seals the joints of flat, even surfaces, especially the corners of RV units that use laminated sidewalls
- Used in marine, HVAC and metal building industries
- Excellent resistance to water, weather and air intrusion
- Adheres well to all non-porous substrates
- 100% solid content and contains zero VOCs
- Applicable in temperatures from -5° to 120°F

Part #	Width	Length	Case Qty
<b>Q202 Tapes</b>			
2020002367	1-1/2"	90'	12
2020002368	1-1/4"	90'	12
2020002369	1-3/4"	90'	8
2020002370	2"	90'	8
2020002371	3/4"	90'	20
<b>Q299 Tapes</b>			
2020002373	1-1/4"	90'	12
2020002374	2-1/2"	90'	8
2020002375	3"	90'	8



2020002367



2020002371



2020002373

# ALPHA SYSTEMS QTDG TRIM GRADE TAPE

- Great for boats and RVs
- Creates a weather-tight, waterproof seal when compressed between two surfaces
- Can be easily trimmed, no blade needed
- Adheres to all metals, fiberglass, wood, glass, plastic, and most painted surfaces
- Will not expand or contract in extreme temperatures

Part #	Thickness	Width	Length	Case Qty
2020002381	1/8"	1"	30'	16
2020002383	1/8"	1/2"	30'	24
2020002385	1/8"	3/4"	30'	20
2020002382	1/8"	1-1/2"	30'	12
2020002388	3/16"	3/4"	20'	20
2020002386	3/16"	1"	20'	16
2020002379	1/4"	1-3/4"	16'	8
2020002393*	3/8"	1"	10'	16
2020002392	3/8"	1"	10'	16

\* Comes with parchment backing



2020002382



2020002393





## ALPHA SYSTEMS 1010 LOW VOC NON-SAG SEALANT

- Coverage: 1/4" bead covers approx. 30'
- Designed to withstand all weather conditions
- Perfect for slanted, uneven or vertical surfaces
- Formulated with low VOC
- Helps prevent air and moisture intrusion
- Paintable once cured

Almond #	Beige #	Black #	Grey #	White #	Tube Size
862161	862160	862158	862159	862157	10.3 ounce



862159



862160



862161

## ALPHA SYSTEMS 5160 ALPHATHANE NON-SAG SEALANT

- Coverage: 1/4" bead covers approx. 30'
- Designed to withstand all weather conditions
- Perfect for vertical, dissimilar surfaces like RV doors and windows
- Contains no solvents or isocyanates
- Indoor/outdoor application
- Helps prevent air and moisture intrusion
- Paintable once cured

Almond #	Beige #	Black #	Grey #	White #	Tube Size
862166	862165	862163	862164	862162	9.8 ounce



862163



862164



862162



# ALPHA SYSTEMS 1021 LOW VOC SELF-LEVELING LAP SEALANT

- Great for RV roofs, vents, antennas, skylights and more
- Coverage: 1/4" bead covers approx. 30'
- Designed to withstand all weather conditions
- Self-leveling for horizontal surfaces
- Helps prevent air and moisture intrusion
- Paintable once cured

Almond #	Beige #	Black #	Grey #	White #	Tube Size
862149	862148	862145	862147	862144	10.3 ounce



862148



862145



862144

# ALPHA SYSTEMS 5121 ALPHATHANE SELF-LEVELING SEALANT

- Forms permanent elastic bond
- Designed to withstand all weather conditions
- Perfect for RV roofs and horizontal surfaces
- Helps prevent air and moisture intrusion
- Non-shrinking
- Non-yellowing

Almond #	Beige #	Black #	Grey #	White #	Tube Size
862223	862221	862219	862220	862215	9.8 ounce



862223



862220



862215

# ALPHA SYSTEMS N2100 ALPHASEAL ALL PURPOSE RV SEALANT

- Coverage: 1/4" bead covers approx. 30 linear ft.
- Designed to withstand all weather conditions
- Perfect for slanted, uneven or vertical surfaces
- Formulated with low VOC
- Minimal surface prep required
- Outstanding resistance to chemicals, oils and greases

Part #	Color	Tube Size
862224	Clear	10.3 ounce



862224



## 8010 WATER BASED ADHESIVE

- Zero odor; short drying time
- Highly flexible once cured, allowing for expansion and contraction of attached membrane
- Bonds to EPPDM, PVC, and Hypalon membranes, as well as wood, plywood, fiberboard, polyisocyanurate, gypsum and concrete decking substrates



2020002231

Part #	Size	Coverage	Color
2020002231	5 Gallon	160-200 sq. ft./gallon	White

## ANTI-WICKING ADHESIVE

- Anti-wicking adhesive protects the edges of plywood and expanded polystyrene by sealing the edge to prevent moisture from wicking through
- Dries fast for a quick and easy project
- Brush or spray on at room temperature (do not freeze)
- Washes off with warm water



2020002652

Part #	Size	Coverage	Color
2020002652	5 Gallon	160 sq. ft./gallon	Black

## POLYURETHANE STRIPPER

- Must use in well-ventilated area
- Recommended to heat to 170° or 180°F for best results
- Effectively removes cured polyurethane from application equipment



2020002653

Part #	Size	Color
2020002653	1 Gallon	Clear

## RV RUBBER ROOF CLEANER

- Safe for regular use on all RV roofing and exteriors
- Contains water-softening agents to combat hard water spotting
- Can be used on rubber, plastic, metal, glass and painted surfaces
- Easy spray application; leaves surfaces spotless
- For use on RVs, boats and personal watercraft



862414

Part #	Size	Color
862414	22 Oz. spray bottle	Clear

## SUPERFLEX COVER STRIP PRIMER

- Helps promote tape adhesion for dirty, difficult to clean surfaces
- Especially useful in temperatures under 40° to -20°F
- Easy, do-it-yourself application
- Can be wiped or brush applied



2020002434

Part #	Size	Color
2020002434	1 pint	Clear

## TPO PRIMER

- Aromatic odor
- Adhesion promoter for any AlphaThane adhesive or sealant
- Use in a well-ventilated area
- Can be wiped, sprayed or brush applied



2020002651

Part #	Size	Coverage	Color
2020002651	1 Gallon	220 sq. ft./gallon	Clear / violet



## WATER BASED FABRIC ADHESIVE

- Low odor
- Short drying time
- Water- and UV-resistant
- Environmentally safe
- Great for bonding wood to wood or carpet / fabric to wood surfaces



2020002228

Part #	Size	Coverage	Color
2020002228	5 Gallon	220 sq. ft./gallon	White

## WATER BASED TPO FLOORING ADHESIVE

- Water-based and environmentally friendly
- Developed for Lippert Tuff Ply fleece-backed flooring membrane
- Performs well in -40° to 190°F temperatures
- Apply with brush, roller or trowel
- Do not freeze in storage



2020002230

Part #	Size	Coverage	Color
2020002230	5 Gallon	80-100 sq. ft./gallon	White

## 8011 ACRYLIC WATER BASED BONDING ADHESIVE

- Zero odor
- Moderate drying time
- Highly flexible once cured, allowing for expansion and contraction of attached membrane
- Bonds to EPPDM, PVC and Hypalon membranes, as well as wood, plywood, fiberboard, polyisocyanurate, gypsum and concrete decking substrates

Part #	Size	Coverage	Color
2020002238	1 Gallon	160-200 sq. ft. / gallon	White
2020135318	5 Gallon	160-200 sq. ft. / gallon	White

## 8019 WATER BASED BONDING ADHESIVE

- For TPO and PVC RV roof membranes
- Slight odor
- Quick drying time
- Bonds to AlphaFlex, TPO and PVC membranes, wood, plywood, fiberboard, polyisocyanurate, gypsum and concrete decking



862400

Part #	Size	Coverage	Color
862400	1 Gallon	160-200 sq. ft. / gallon	White
2020002240	5 Gallon	160-200 sq. ft. / gallon	White

## 4034 WATER BASED ACRYLIC ELASTOMERIC RV ROOF TOP COAT

- Designed to protect existing RV roofs
- Helps keep roofing surfaces cool
- Can be re-coated as often as needed
- Provides added strength to RV roofs
- Odorless

Part #	Size	Coverage	Color
862401	1 gallon	200 sq. ft./gallon	White



862401





## SUPERFLEX ROOF INSTALLATION KITS

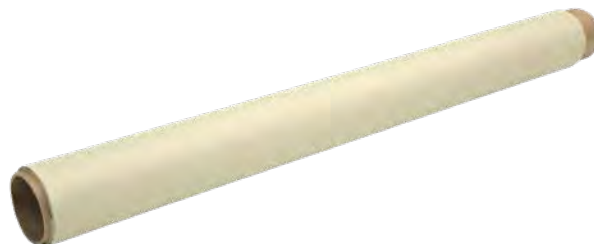
### Part 1 - tapes and adhesives

- 8010 and 8011 adhesives are designed for a tenacious bond that is flexible, allowing the roofing to expand and contract
- Q130 non-trimmable butyl tape is a versatile, high performance gasket tape formulated to provide optimal levels of adhesion, elongation and tensile strength
- 1021 self-leveling sealant and 1010 non-sag sealant are formulated to withstand all weather conditions and prevent air and moisture intrusion



### Part 2 - SuperFlex roof membrane

- Flexible and stretchable for today's complex roof designs and superior to PVC RV roofing: 10% thicker, 220% higher tear resistance, 500% more elongation
- Roof membrane (TPO) sold separately



# PART 1 SEALANTS & TAPES

Pick the kit that corresponds to your roof size and color choice

## Up to 25' includes

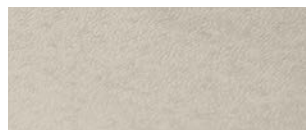
- One gallon 8011 adhesive (qty 2)
- 10.3 oz tube 1010 non-sag sealant (qty 1)
- 10.3 oz tube 1021 sealant (qty 6)
- Q130 butyl tape (qty 5)

## 26' and above includes

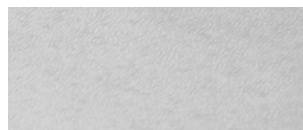
- One gallon 8011 adhesive (qty 2)
- 10.3 oz tube 1010 non-sag sealant (qty 2)
- 10.3 oz tube 1021 sealant (qty 15)
- Q130 butyl tape (qty 6)



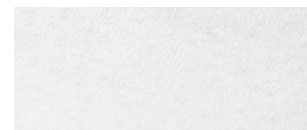
Almond



Beige



Grey

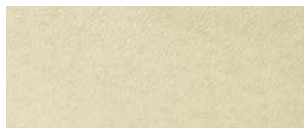


White

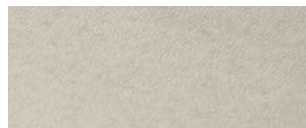
Fits	Almond #	Beige #	Grey #	White #
Up to 25' RV roofs	2020002634	2020002636	--	2020002633
26' and above RV roofs	862425	862423	862424	862422

# PART 2 TPO ROOF KITS

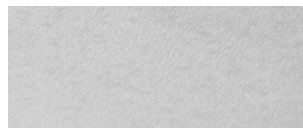
Pick the kit that corresponds to your roof size and color choice



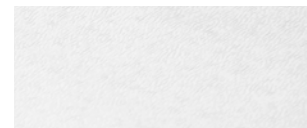
Almond



Beige



Grey



White

Almond #	Beige #	Grey #	White #	Roll Length	Sq. Ft. Per Roll
<b>8-1/2' Wide Rolls</b>					
2020002463	2020002477	2020002488	2020002565	20'	170
2020002464	2020002479	2020002489	2020002566	25'	212.5
2020002466	2020002484	2020002490	2020002567	30'	255
2020002468	2020002486	2020002492	2020002568	35'	297.5
2020002469	2020002487	2020002493	2020002569	40'	340
<b>9-1/2' Wide Rolls</b>					
2020002570	2020002587	2020002595	2020002604	20'	190
2020002571	2020002588	2020002596	2020002605	25'	237.5
2020002572	2020002589	2020002597	2020002606	30'	285
2020002573	2020002590	2020002599	2020002608	35'	332.5
2020002574	2020002591	2020002600	2020002609	40'	380
2020002576	2020002592	2020002601	2020002610	45'	427.5





# SUPERFLEX PATCH KITS

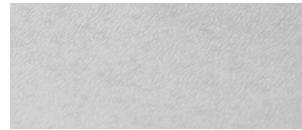
- Includes one roll of SuperFlex roof membrane and one tube of #1021 self-leveling sealant
- SuperFlex roof membrane is flexible, stretchable and superior to PVC RV roofing: 10% thicker, 220% higher tear resistance, 500% more elongation
- 1021 self-leveling sealant is formulated to withstand all weather conditions and prevent air and moisture intrusion
- Other items needed: An industrial hot air gun and hand-held linoleum roller
- 15-year limited warranty on SuperFlex membrane



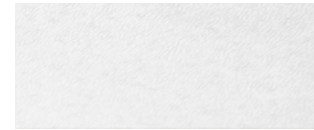
Almond



Beige



Grey



White

Almond #	Beige #	Grey #	White #	Sq. Ft. Per Roll
862449	862450	862451	862452	6

# SUPERFLEX BULK ROOFING MEMBRANES - 400' ROLLS

- Flexible and stretchable for today's complex roof designs
- Superior to PVC RV roofing: 10% thicker, 220% higher tear resistance, 500% more elongation
- Excellent UV protection
- Puncture and tear resistant
- Resistant to mold, algae and fungus
- Textured surface for traction
- 15-year limited warranty

Beige #	Grey #	White #	Thickness	Width	Sq. Ft. Per Roll
2020110897	2020110898	2020110895	30 mil	8.5'	3,400
2020110909	2020110910	2020110907	30 mil	9.5'	3,400

# SUPERFLEX SLIDE-OUT ROOFING MEMBRANES

- Flexible and stretchable for complex roof designs
- Superior to PVC RV roofing: 10% thicker, 220% higher tear resistance, 500% more elongation
- Excellent UV protection
- Puncture and tear resistant
- Resistant to mold, algae, and fungus
- Textured surface for traction
- 15-year limited warranty



2020002451

Almond #	Beige #	Grey #	White #	Description	Dimensions	Sq. Ft. Per Roll
2020002424	2020002425	2020002426	2020002427	Roofing membrane	0.67" x 8" x 100	67.0
2020002451	2020002453	2020002457	2020002459	Roofing membrane	4.5' x 10'	45.0
2020002452	2020002455	2020002458	2020002461	Roofing membrane	4.5' x 15'	67.5
--	--	--	2020002428	Roofing trim	0.83" x 10" x 100'	83.0
--	--	--	2020002429	Roofing trim	1" x 12" x 175"	175.0
--	--	2020002430	--	Roofing trim	2.66' x 100'	266.0
--	2020002431	2020002432	2020002433	Cover strip	0.5" x 6" x 15'	7.5

## CHASSIS SHIELD® RUST INHIBITOR

- Creates a thin film to protect chassis from rust and corrosion
- Penetrates and lubricates to free rusted parts and eliminate squeaks
- Displaces water on metal surfaces
- Approved for sale in California and Canada
- Made in the USA



Creates a thin film to protect chassis from rust and corrosion



Penetrates and lubricates to free rusted parts and eliminate squeaks



674806

Part #	Size
674806	12 oz.



# RV TOWING

# FEATURED PRODUCTS



## Rota-Flex™

Rota-Flex™ 5th wheel trailer pin box is designed to endure the ruggedness of the roads you encounter on your journeys.



## Air Ride™

Air Ride™ pin box allows you to tow and ride comfortably with its shock absorption technology that keeps you calm and cushioned.



## Flex Air®

Designed to regulate and reduce movement during towing, giving you a relaxed feel as you hit the road with your trailer or RV.

## PRODUCT INDEX



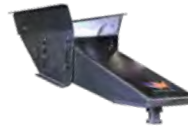
**210**  
Rota-Flex™  
Pin Box



**211**  
Air Ride™  
Pin Box



**212**  
Flex Air®  
Pin Box



**213**  
Standard Pin  
Boxes



## ROTA-FLEX™ PIN BOX

- Replaces Lippert 5th wheel pin boxes
- Pivoting head significantly reduces chucking
- Rubberized torsion compound reduces chucking and absorbs road shock
- Bolt-on installation with no assembly required
- Constructed with steel and a black powder coat finish that protects against rust



Pivoting head moves and controls back and forth movement of the king pin within the hitch which provides a smoother ride



Minimizes strain and reduces wear and tear on the trailer with a robust rubber compound in its head that absorbs road shock



Ready to be installed as soon as it comes out of the box using the same bolts as the original pin box, so no additional hardware is needed

Part #	Capacity	Industry #	Jaw	OEM #
328330	18,000 lbs.	L05	Long	1116
176440	19,000 lbs.	M19	Medium	1621
328329	21,000 lbs.	L05	Long	1621



## AIR RIDE™ PIN BOX

- Replaces Lippert 5th wheel pin boxes
- Reduces chucking, bouncing and jarring with an internal air bag and built-in strut that absorbs road shock and vibration
- Bolt-on installation with no assembly required
- Steel construction and black powder coat finish that protect against rust
- Can be retrofitted to most pin boxes on the market



Internal air bag and built-in strut absorbs road shock and vibration to reduce chucking, jarring and bouncing, providing a smooth ride



Uniquely constructed with a built-in shock that protects the air bag from destruction by recoiling the pin box



Ready to be installed as soon as it comes out of the box using the same bolts as the original pin box, so no additional hardware is needed

Part #	Capacity	Industry #	Jaw	OEM #
158778	21,000 lbs.	L05	Long	1621
179879	18,000 lbs.	M15	HD	0719
155943	21,000 lbs.	M19	Medium	1116



## FLEX AIR® PIN BOX

- Replaces Lippert 5th wheel pin boxes
- Heavy-duty pivoting head reduces chucking
- Reduces chucking, bouncing and jarring with an internal air bag and built-in strut that absorbs road shock and vibration
- Bolt-on installation with no assembly required
- Constructed with steel and a black powder coat finish that protects against rust
- Oil-filled shock absorber handles rebounds



Air Ride technology combined with Rota-Flex pivoting head significantly reduce fore-to-aft movement and vertical tug-of-war



Internal air bag moves in a scissor-like motion to absorb vibrations while a rubberized compound softens jarring movement



Ready to be installed as soon as it comes out of the box using the same bolts as the original pin box, so no additional hardware is needed

Part #	Capacity	Industry #	Jaw	OEM #
328484	18,000 lbs.	M15	Medium	1116
328492	18,000 lbs.	L05	Long	1621
369535	21,000 lbs.	L05	Long	1621



# STANDARD PIN BOXES

Lippert pin boxes are the industry standard. Please consult your original equipment label before purchasing a new Lippert pin box.

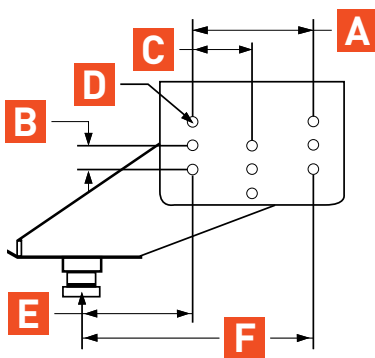
- Direct replacement for Lippert 5th wheel pin boxes
- King pin connects to any 5th wheel trailer hitch
- Steel construction and black powder coat finish that protects against rust
- Bolt-on installation using existing hardware
- Assembly hardware included



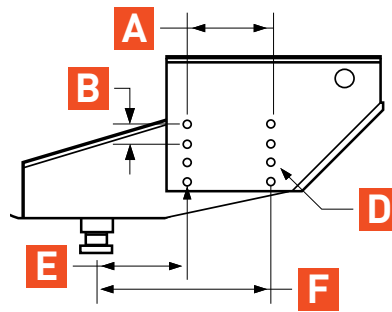
Part #	Capacity	Industry #	Style	OEM #
1191191	15,500 lbs.	L05	Standard	1621
1324791	15,500 lbs.	L07	Retracted	1716
1191151	18,000 lbs.	L05	Standard	1621
1270271	19,000 lbs.	M19	Retracted	1116
1387883	21,000 lbs.	L05	Standard	1621

## How to determine the correct model

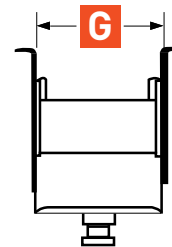
1. Look for the white sticker with a four-digit number on it. Example: 1621 or 1716
2. What is the gross vehicle weight rating (GVWR) of the RV?
3. Visually compare the illustration to the mounting wing on the trailer.
4. Measure the length of the existing pin box from the front row of bolts to center of the kingpin.
5. Measure all three bolt-pattern dimensions on existing pin box.
6. Measure existing pin box width.



Three-row bolt pattern



Two-row bolt pattern



Width

OEM #	Industry #	Bolt Pattern	Bolt Head Size	Style	A	B	C	D	E	F	G
1621	L05	2-row	15/16"	Long	7-7/8"	2"	--	5/8"	17-3/4"	25-5/8"	12"
0719	M15	2-row	15/16"	Medium	7-7/8"	2"	--	5/8"	9"	16-7/8"	12"
1716	L07	3-row	15/16"	Long	8-3/4"	2-1/2"	4-3/8"	5/8"	20-3/8"	29-1/8"	12-1/2"
1116	M19	3-row	15/16"	Medium	8-3/4"	2-1/2"	4-3/8"	5/8"	14-5/8"	23-1/4"	12-1/2"

A = Bolt pattern horizontal distance  
B = Bolt pattern vertical distance

C = Distance between rows  
D = Bolt size

E = Front row bolts to kingpin center  
F = Rear row bolts to kingpin center

G = Box width



# CUSTOMER SERVICE

## Connect with us

Lippert is an industry leader in customer service. As such, we are constantly producing resources to help answer your questions and set your business up for success. We also actively maintain several channels of communication that allow you to stay in touch, including social media and the Lippert NOW app.



### Customer Care Center

[support.lci1.com](http://support.lci1.com) or call 432-LIPPERT

We have answers to all your questions. Visit our online Customer Support page for videos, product manuals, LIP sheets, service forms and more.



### YouTube

[youtube.com/lippertlifestyle](https://youtube.com/lippertlifestyle)

Subscribe to us on YouTube and stay informed with new product videos, reviews, company news and initiatives.



### Lippert NOW

[lippert.com/lippertnow](http://lippert.com/lippertnow)

Get access to product information, technical support and video when you download our Lippert NOW app.



### Instagram

[instagram.com/lippert\\_\\_/](https://instagram.com/lippert__/)

Follow us for an insider's look into the recreational lifestyle.



### Technical Training

574.312.7434

Give us a call to schedule regional technician training with our team of product specialists.



### Facebook

[facebook.com/LippertLifestyle](https://facebook.com/LippertLifestyle)

Like us for exciting new product launch info and Lippert company news, photos, videos and more.



### Lippert Store

[store.lci1.com](http://store.lci1.com)

Need to check out replacement or upgrade parts and products? We make it easy with our online parts store.



### Twitter

[twitter.com/lippert\\_\\_](https://twitter.com/lippert__)

Follow us for RV industry news, company updates, lifestyle articles, product photos, videos and more.



### Lippert Blog

[store.lci1.com/blog](http://store.lci1.com/blog)

Visit the Lippert blog to read about the latest RV lifestyle trends, maintenance tips, buying guides and more.



### LinkedIn

[linkedin.com/company/lippert](https://linkedin.com/company/lippert)

Add us for industry news, company updates, lifestyle articles, product photos, videos and more.



### Media Center

[lci1.com/media-center](http://lci1.com/media-center)

Want access to product videos, images, catalogs and literature? Visit Lippert Media Center to download what you need.

# TECHNICAL INSTITUTE TRAINING

## Learn with us

With the Lippert Technical Institute, it's easy to get the training you and your employees need to successfully sell Lippert products. Contact us today to sign up for in-person or online courses!



## WHO WE TRAIN

### Technicians

- Gain a better understanding of how components come together and their functions
- Receive information on new products or updates on existing products
- Get hands-on experience on mock-ups that we build in house

### Sales

- Learn the features and benefits of Lippert products
- Become familiarized with Lippert Now app for smart phones and how to use it to your advantage

### Parts

- Learn about Lippert resources for parts identification
- Gain information on effective ways to communicate with technicians regarding replacement part kits
- Discover the advantages of using the Lippert Dealer Portal

### Warranty

- Learn about claims processing and processes Lippert NOW app and website
- Receive training on how to operate the interactive flat rate chart

## TYPES OF TRAINING

### Lippert service school

- Three-day event covering many of our components
- Class is followed by in-depth hands-on instruction
- Other vendors participate based on availability
- Our most extensive training hosted at Lippert Training Facility
- Offered six times a year

### Regional training

- One-day event for eight hours
- These are seminar based courses and are hosted across the United States
- Offered six times a year

### RVIA / RVDA

- A one to three-day event hosted by the association
- Courses are held across the U.S. and Canada
- Typically offered monthly

## SCHEDULE YOUR TRAINING

### How to contact us

- **Email us**  
LCItraining@lci1.com
- **Call us**  
574-312-7881
- **View our group training calendar**  
lci1.com/technical-training-calendar





**WHENEVER,  
WHEREVER,  
WE MAKE YOUR  
EXPERIENCE  
BETTER.™**

Lippert is a leading, global manufacturer and supplier of highly engineered products and customized solutions dedicated to shaping, growing, and bettering the RV, marine, automotive, commercial vehicle, and building products industries, and their adjacent markets. Lippert also serves a broad array of aftermarket segments, supplying best-in-class products designed to enhance recreational pursuits, both on the road and on the water.

From powerful towing technology and automated RV leveling systems, to boating furniture and one-of-a-kind shade solutions – Lippert combines strategic manufacturing capabilities with the power of our winning team culture to deliver unrivaled Customer Service, award-winning Innovation, and premium Products to every industry and person we serve.





---

## CONNECT WITH US

---



**PHONE**  
432-LIPPERT



**WEB**  
LIPPERT.COM



**SOCIAL MEDIA**  
@LIPPERT / #LIPPERT

---

## ADDRESS

---

**HEADQUARTERS**

52567 INDEPENDENCE COURT  
ELKHART, IN 46514